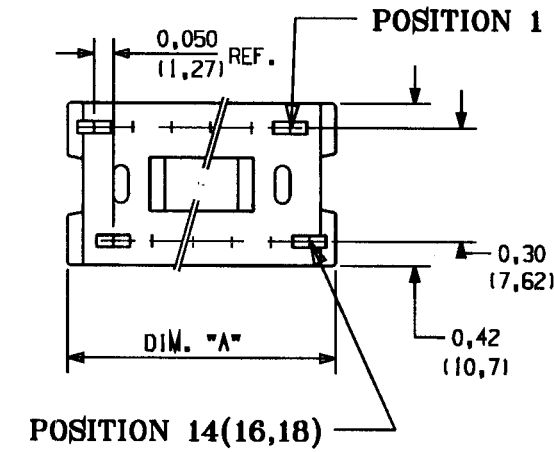
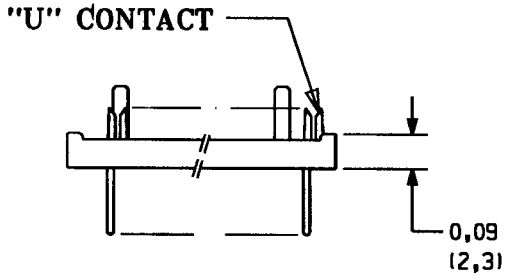


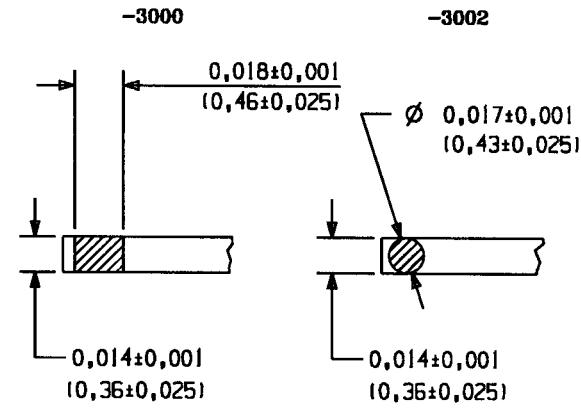
BODY



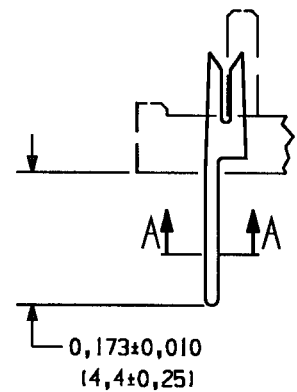
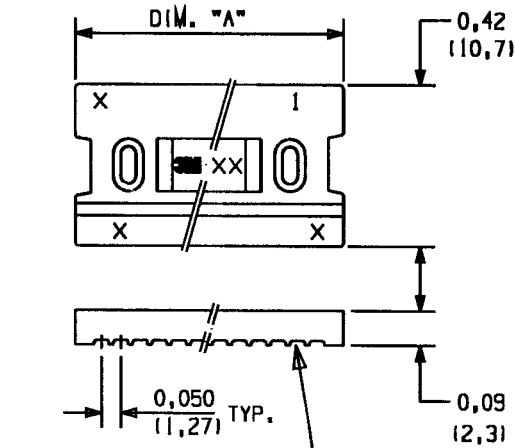
CONTACT QUANTITY	3M PART NUMBER	CONTACT TYPE	DIM. "A"
4	3406-3000	RECTANGULAR	0,75 (19,1)
4	3406-3002	ROUND	0,75 (19,1)
6	3416-3000	RECTANGULAR	0,85 (21,6)
6	3416-3002	ROUND	0,85 (21,6)
8	3563-3000	RECTANGULAR	0,95 (24,1)
8	3563-3002	ROUND	0,95 (24,1)



CONTACT SECTION A-A



COVER



**NONCONDUCTIVE
TRANSFER ADHESIVE
WITH LINER**

IMPORTANT NOTICE TO PURCHASER: ALL STATEMENTS TECHNICAL INFORMATION AND RECOMMENDATIONS CONTAINED HEREIN ARE BASED ON TESTS WE BELIEVE TO BE RELIABLE BUT THE ACCURACY OR COMPLETENESS THEREOF IS NOT GUARANTEED, AND THE FOLLOWING IS MADE IN LIEU OF ALL WARRANTIES, EXPRESS OR IMPLIED: SELLER'S AND MANUFACTURER'S ONLY OBLIGATION SHALL BE TO REPLACE SUCH QUANTITY OF THE PRODUCT PROVED TO BE DEFECTIVE. NEITHER SELLER NOR MANUFACTURER SHALL BE LIABLE FOR ANY INJURY, LOSS OR DAMAGE, DIRECT OR CONSEQUENTIAL, ARISING OUT OF THE USE OF OR THE INABILITY TO USE THE PRODUCT, BEFORE USING, USER SHALL DETERMINE THE SUITABILITY OF THE PRODUCT FOR HIS INTENDED USE, AND USER ASSUMES ALL RISK AND LIABILITY WHATSOEVER IN CONNECTION THEREWITH. NO STATEMENT OR RECOMMENDATION NOT CONTAINED HEREIN SHALL HAVE ANY FORCE OR EFFECT UNTIL IN AN AGREEMENT SIGNED BY OFFICERS OF SELLER AND MANUFACTURER.

Electronic Products Division



SCALE

TOLERANCE UNLESS NOTED			
	.0	.00	.000
(MM)	±0,3	±0,13	
INCH		±0,01	±0,005

DR. RUOKONEN
APP.

B	20. JUN. 95		
A	04. JUN. 84		
ISSUE	ISSUE DATE	REV.	CH.

**D.I.P. CONNECTOR
WITHOUT SOLDER BUMPS**

3M PART NO. 3406, 3416, 3563

CS-4205

~~SCOTCHPLUG~~ DIP CONNECTOR Specification

SCOPE : This specification details the requirements for a multiposition DIP plug transition between round conductor flat cable on .050" (1,27 mm) centers and .100" x .300" (2,54 mm x 7,62 mm) IC socket.

UL FILE NO .: E 68080
CSA FILE NO.: LR 46900

SPECIFICATIONS :

<u>PHYSICAL</u>	INSULATOR MATERIAL	Glass Filled Polyester (PBT) U.L. flammability rating 94V-0
	COLOR	Gray
	CONTACT MATERIAL	Copper Alloy
	CONTACT PLATING	in the contact tail area, 30 μ inch (0,76 μ m) gold over 50 μ inch (1,27 μ m) nickel
	MARKING	Raised figures; 3M logo; part identification number, and contact position numbers
	WIRE ACCOMMODATION	26 AWG solid or stranded 28 AWG solid or stranded 30 AWG solid
<u>ELECTRICAL</u>	CURRENT RATING	1 A
	INSULATION RESISTANCE	$> 1 \times 10^9 \Omega$
	DIELECTRIC WITHSTANDING VOLTAGE	1000 V _{RMS}
<u>ENVIRONMENTAL</u>	TEMPERATURE RATING	-55°C to + 105°C (-67°F to + 221°F)

CS-4205