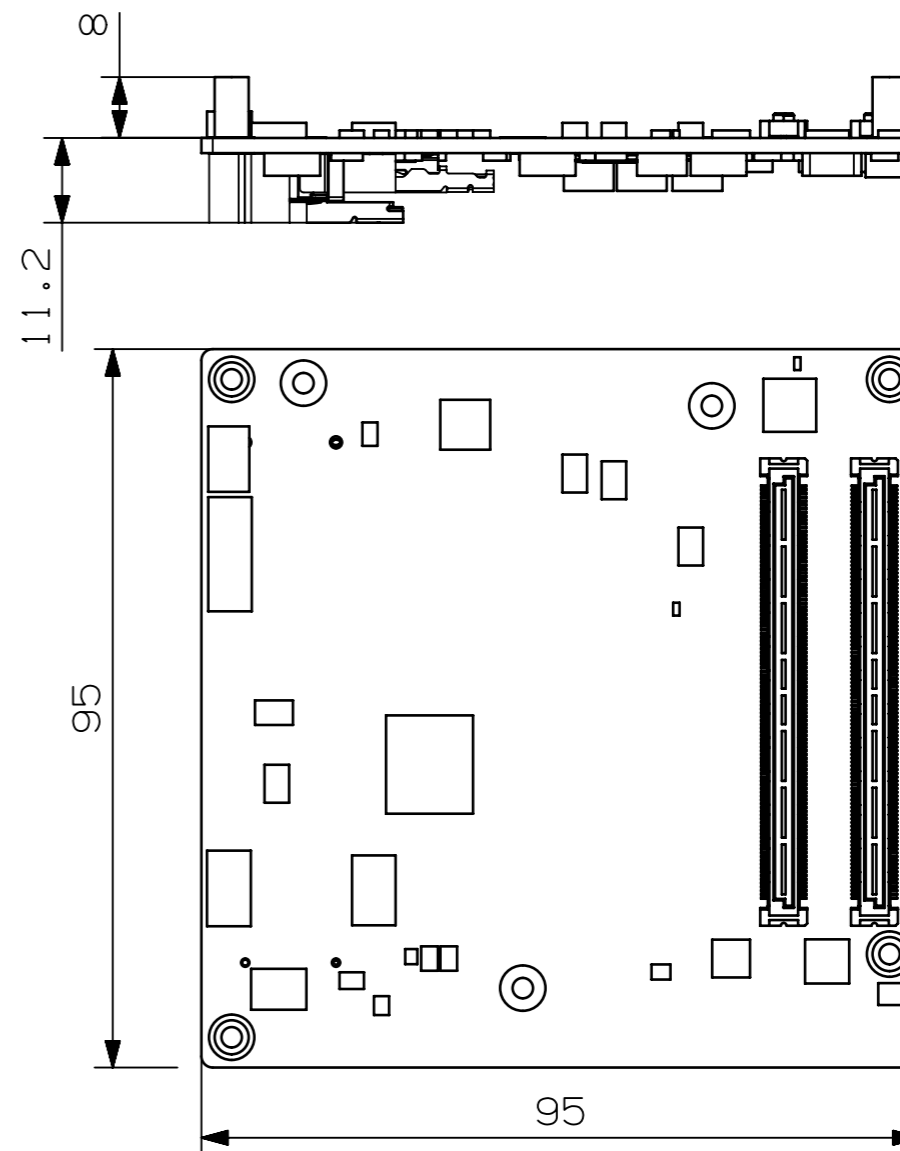
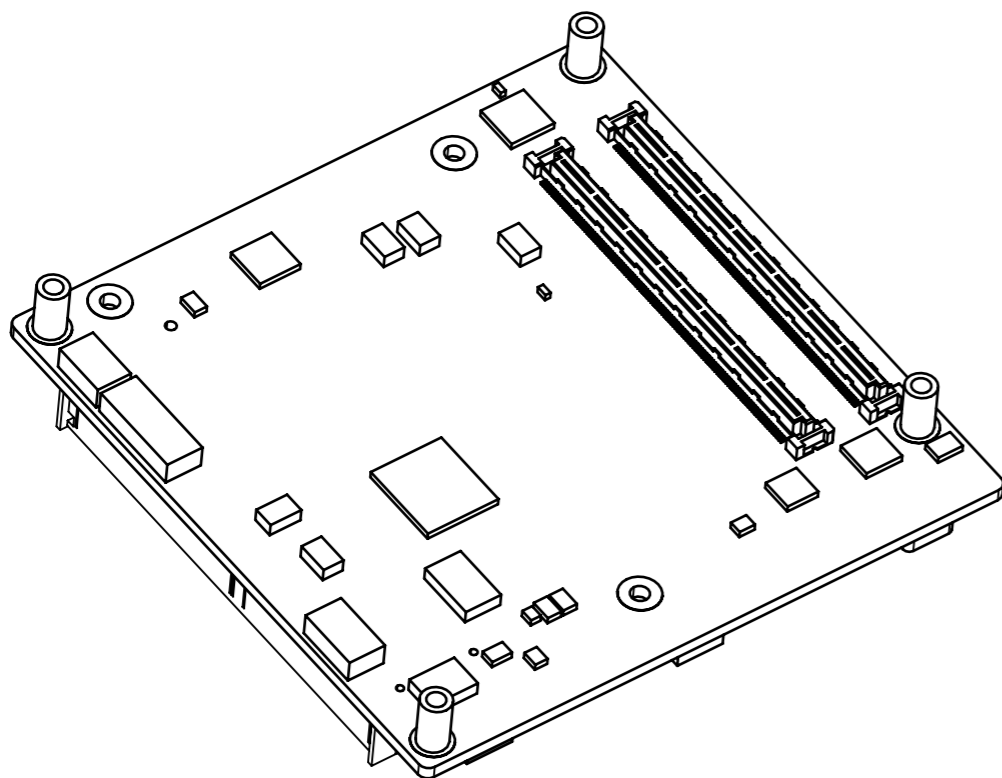


084 Supplier: AAEON
<https://www.aaeon.com/>

455 Type: COM-WHUC6-A10-0004
 with Intel Celeron CPU 4305UE @ 2Ghz



Date	Des.	Chk.	A.C.	Revision change	Chg. Not.	Rev.
						03
						02
20230628	JEOE	JFNI	Z3	Model updated		01
20230419	MWKR	JEOE				00

Basic Standards (IMB SB):		Suppl. Drawing No.:	
- EN21F-m Tolerances EN21CA Surf. Roughness			
Material / Blank:	Final User Material:	Mass (kg):	
*		0.001	

Scale:	Size:	Product Type:	Projection:	Page No.:
1:1	A3			01 (01)

Info. No.:	Item Name:	Item Id.:
5E3G10	COMPUTER COMPONENT	1884564-4
Final User Info. No.:	Final User Description:	Final User Ident. No.:

Copyright ©, 2023 MAN Energy Solutions, branch of MAN Energy Solutions SE Germany, registered with the Danish Business Authority under CVR-no. 31611792 (referred to as "MAN Energy Solutions"). This drawing is the sole property of MAN Energy Solutions, it must be treated as confidential by any party to whom it has been submitted by MAN Energy Solutions, and it is not to be disclosed or transferred to any third party without the specific, prior written permission of MAN Energy Solutions.



CAD Drawing - do not correct by hand - NX Drawing