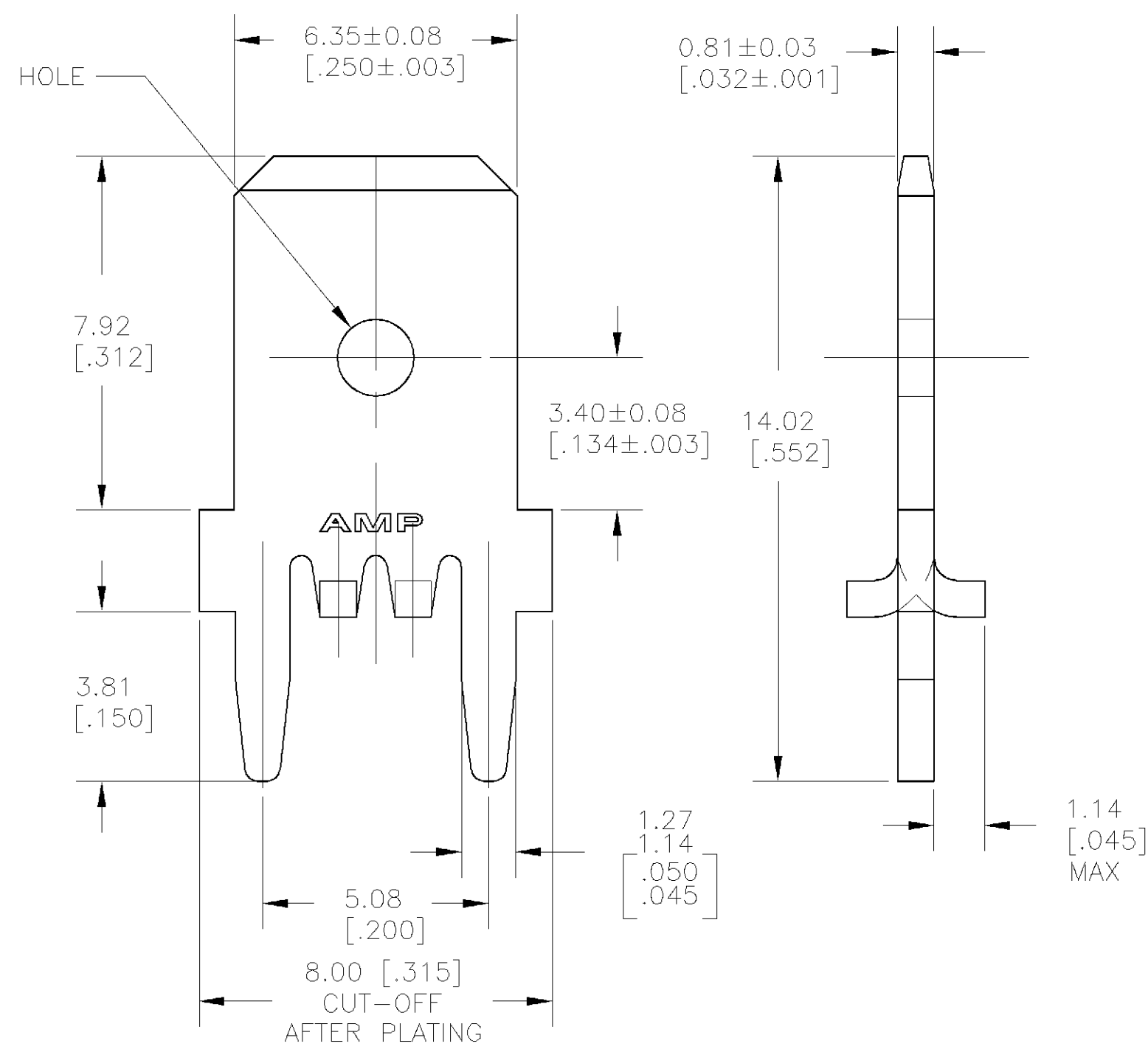
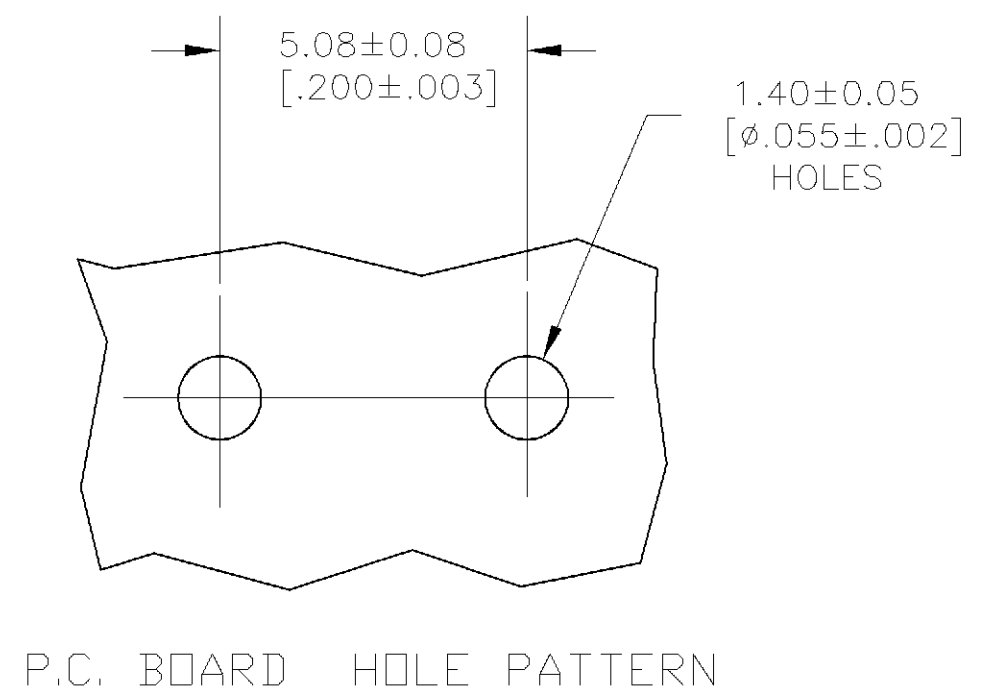


THIS DRAWING IS UNPUBLISHED. RELEASED FOR PUBLICATION
 © COPYRIGHT BY TYCO ELECTRONICS CORPORATION. ALL RIGHTS RESERVED.

LOC	DIST	REVISIONS					
AF	50	P	LTR	DESCRIPTION	DATE	DWN	APVD
		C		REDRAWN PER 0G3A-0118-01	20FEB01	JR	ND



- 1 SUPPLIED IN LOOSE PIECE
- 2 TIN PLATE 0.00381 [.000150] MIN OVER 0.00254 [.000100] MIN THK COPPER.



63849-1
PART NO.

THIS DRAWING IS A CONTROLLED DOCUMENT.		DWN	JR RUTH	20FEB01	Tyco Electronics Corporation Harrisburg, PA. 17057		
DIMENSIONS: mm [INCHES]		CHK	MS FEHER	20FEB01			
TOLERANCES UNLESS OTHERWISE SPECIFIED:		APVD	N DEIBERT	20FEB01	NAME		
0 PLC ± - 1 PLC ± - 2 PLC ± 0.25 [.010] 3 PLC ± - 4 PLC ± - ANGLES ± -		PRODUCT SPEC		TAB, FASTON, P.C.BOARD			
MATERIAL		APPLICATION SPEC		6.35 [.250]			
082 BRASS		114-2115		SIZE	CAGE CODE	DRAWING NO	RESTRICTED TO
FINISH		-		A3	00779	C-63849	-
CUSTOMER DRAWING				WEIGHT	-		
				SCALE	8:1	SHEET	1 OF 1
				REV	C		