

- Ethernet based LAN, WAN and other networking applications
- LL: 0.5μH @ 100KHz, 0.2V
- Cw/w: 25PF TYP @ 100KHz, 0.2V
- Polarity: 1-16, 6-11, In-Phase
- Operating Temperature: -40°C to +85°C

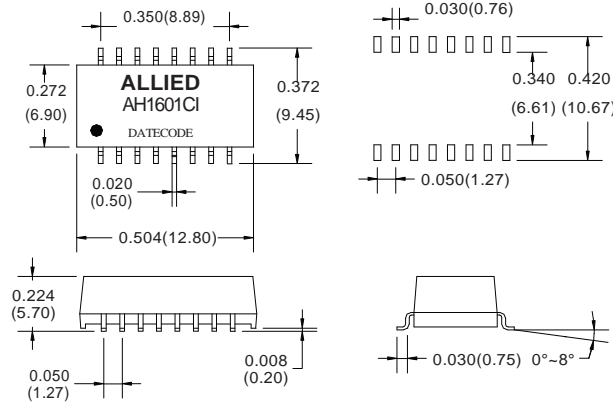


| Electrical Specifications @ 25°C | | | | | | | |
|----------------------------------|-------------------------------|-------------------------------------|----------------------------|-------------------------|-----------|-------|-------|
| Part Number | OCL(μH Min) @ 100kHz, 0.2V | Turns Ratio chip: cable (±3%) | Insertion Loss (dB Max) | Return Loss (dB Min) | | | |
| | With 8mA DC Bias | | | 0.3-100MHz | 0.3-30MHz | 40MHz | 50MHz |
| AH1601CI | 350 | 1CT:1CT | -1.1 | -18 | -16 | -14.5 | -12 |

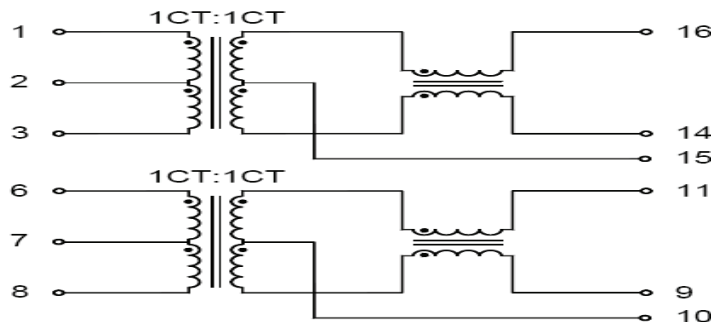
| Electrical Specifications @ 25°C | | | | | |
|----------------------------------|-----------------------------------|--|------------------------|-----------|----------------------------|
| DCR Ω Max | Common Mode Rejection (dB Min) | | Cross Talk (dB Min) | | HI-POT (Vrms) 60Sec. |
| | 0.5-100MHz | | 0.5-40MHz | 50-100MHz | |
| 1.1 | -30 | | -35 | -30 | 1500 |

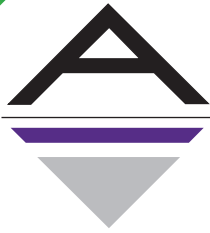
All specifications subject to change without notice.

MECHANICAL

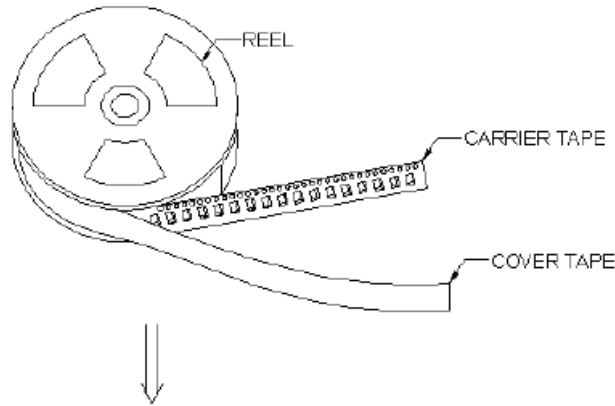


SCHEMATICS





PACKAGING SPECIFICATIONS

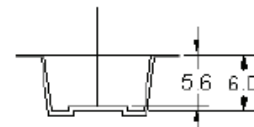
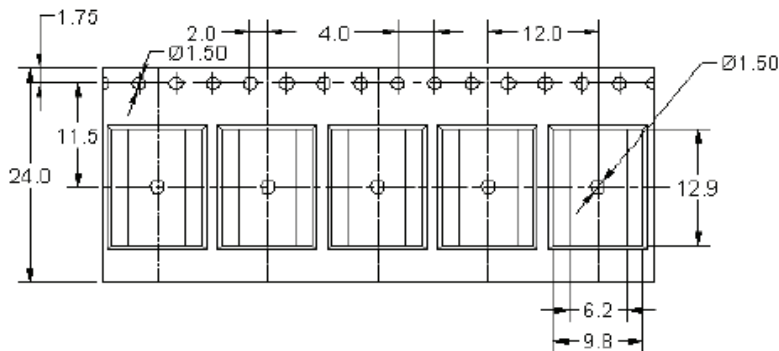
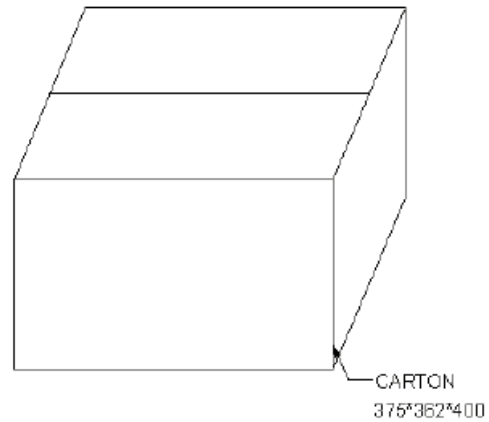
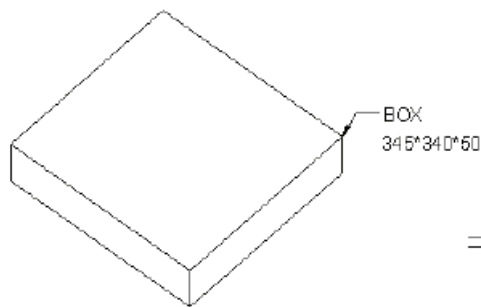


750PCS/REEL

750PCS/BOX

4500PCS/CARTON

N/W: 0.6g/ea



unit:mm