


**V.I.P. Downloads:**[CAD-Draw  
\(.DWG\)](#)[CAD-Draw  
\(.IGS\)](#)[CAD-Draw  
\(.SAT\)](#)[CAD-Draw  
\(.STEP\)](#)[3D-Animation  
\(.EPRT\)](#)**Type: IS565****Insulating bushes made of plastic**

|                                      |                                   |
|--------------------------------------|-----------------------------------|
| <b>Areas of application (Cases):</b> | TO220<br>TO218(TOP3)<br>Multiwatt |
| <b>Material:</b>                     | Makrolon                          |
| <b>Temperature rating:</b>           | 130 °C                            |
| <b>Dielectric strength:</b>          | 30 KV/mm                          |
| <b>Flammability:</b>                 | UL 94 VO                          |
| <b>Compound:</b>                     | Polycarbonat                      |

[3D Animation](#) [Search results](#)

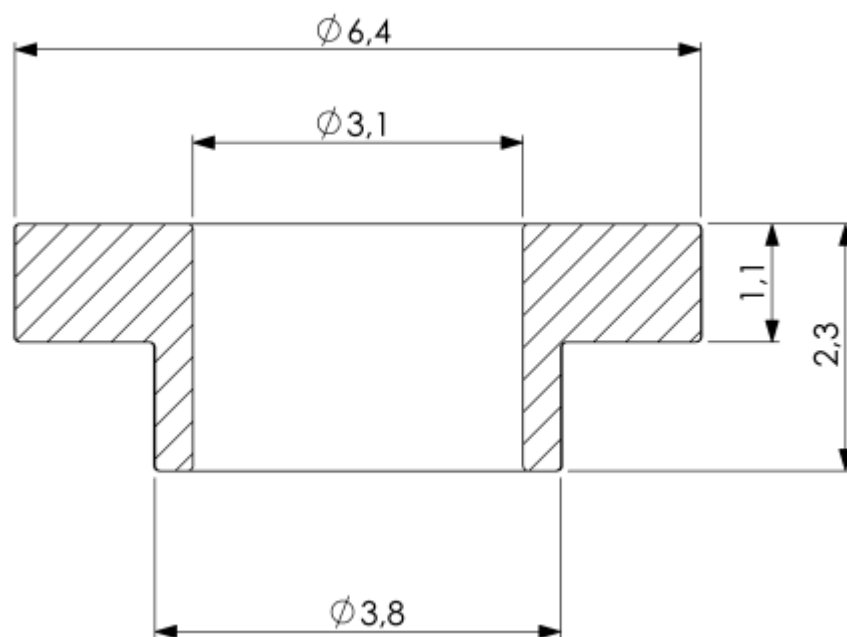


**Description**

**Insulating bushes**, e.g. for semiconductors cases TO220, TOP3(TO218), **Multiwatt** etc.

Insulating bushes in combination of insulating wafers from mica or silicone foil facilitate insulated mounting of semiconductors e.g. to heatsinks.

[Top of page](#)**Drawing**



[Top of page](#)