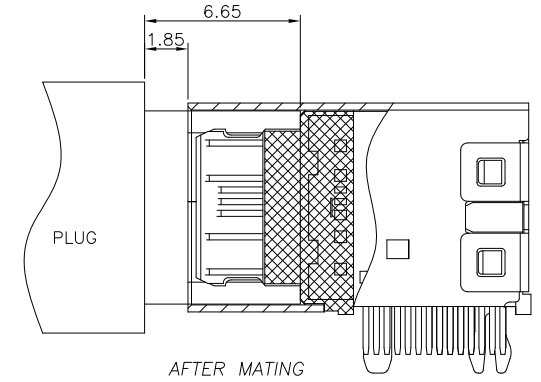
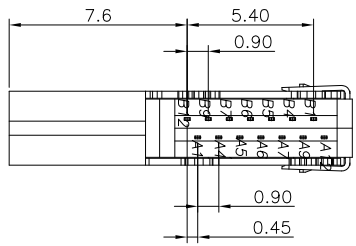
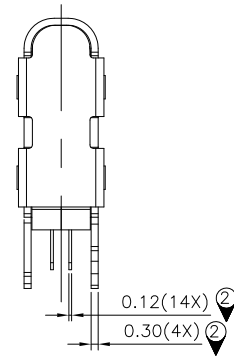
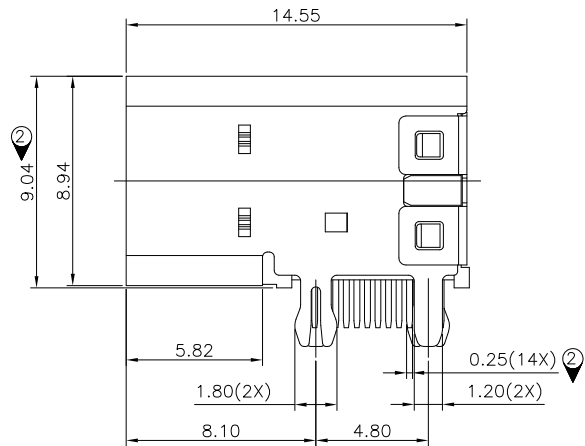
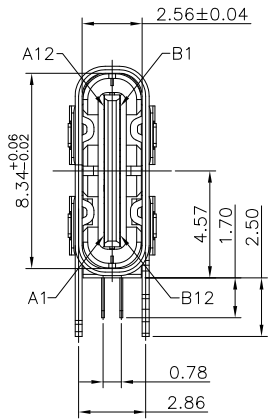
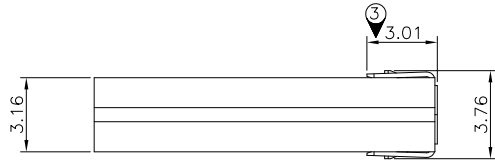


This document is the property of Amphenol Corporation and is delivered on the express condition that it is not to be disclosed, reproduced or used, in whole or in part, for manufacture or sale by anyone other than Amphenol Corporation without its prior consent, & that no right is granted to disclose or to use any information in this document.

CUSTOMER DRAWING

REVISIONS				
SYM	ECN	DESCRIPTION	DATE	APPROVED
3	HKXXXX	Update size	2020/12/09	IP
4	HKXXXX	Add PCB size	2020/12/15	IP
5	HKXXXX	Add plated P/N	2021/10/20	IP
6	HKXXXX	Add PCB size	2021/11/04	Mihcael.qin
7	HKXXXX	Add REEL	2022/11/02	Mihcael.qin

Pin No	Signal Name	Mating Sequence	Pin No	Signal Name	Mating Sequence
A1	GND	First	B12	GND	First
A4	Vbus	First	B9	Vbus	First
A5	CC1	Second	B7	D-	Second
A6	D+	Second	B6	D+	Second
A7	D-	Second	B5	CC2	Second
A9	Vbus	First	B4	Vbus	First
A12	GND	First	B1	GND	First
SHELL	GND		SHELL	GND	

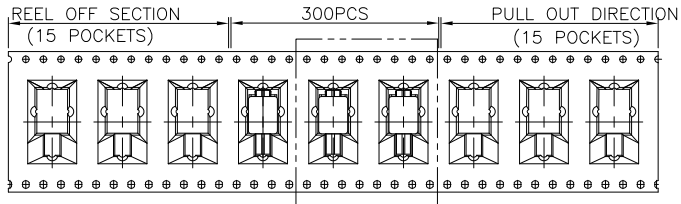


UNLESS OTHERWISE SPECIFIED TOLERANCES U.S. METRIC .X +/- 0.50 .XX +/- 0.20 .XXX +/- 0.10 FRACTIONS +/- ANGLES +/- 3° FOR MATERIALS AND FINISHES SEE NOTES	APPROVAL DRAWN Alec.li CHECKED Mihcael.qin CHECKED	DATE 02/11/22 02/11/22	Amphenol Amphenol East Asia Limited TITLE USB 2.0, Type C socket connector, R/A_top mount, Double DIP type	
	DRAWING FILE : R:\SDC\Engineering\data\ROD_1.0\000000.PPT			
	REMOVE SHARP EDGES DIMENSIONS U.S. INCHES (METRIC) (MM)	ANGLE OF PROJECTION 		SIZE DRAWING NO. A3 C 12402054
	SCALE	NONE		SHEET 1 OF 3

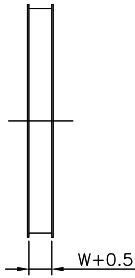
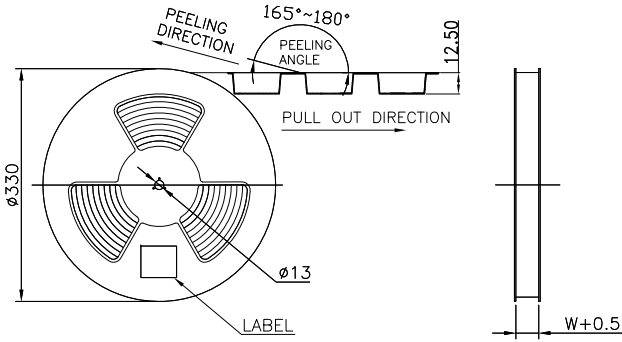
This document is the property of Amphenol Corporation and is delivered on the express condition that it is not to be disclosed, reproduced or used, in whole or in part, for manufacture or sale by anyone other than Amphenol Corporation without its prior consent, & that no right is granted to disclose or to use any information in this document.

CUSTOMER DRAWING

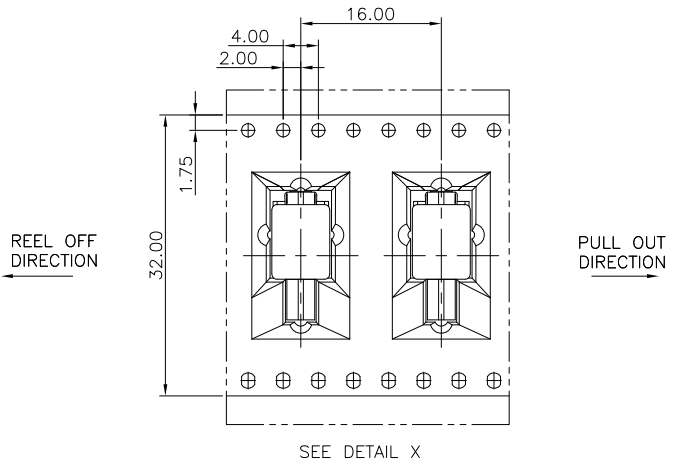
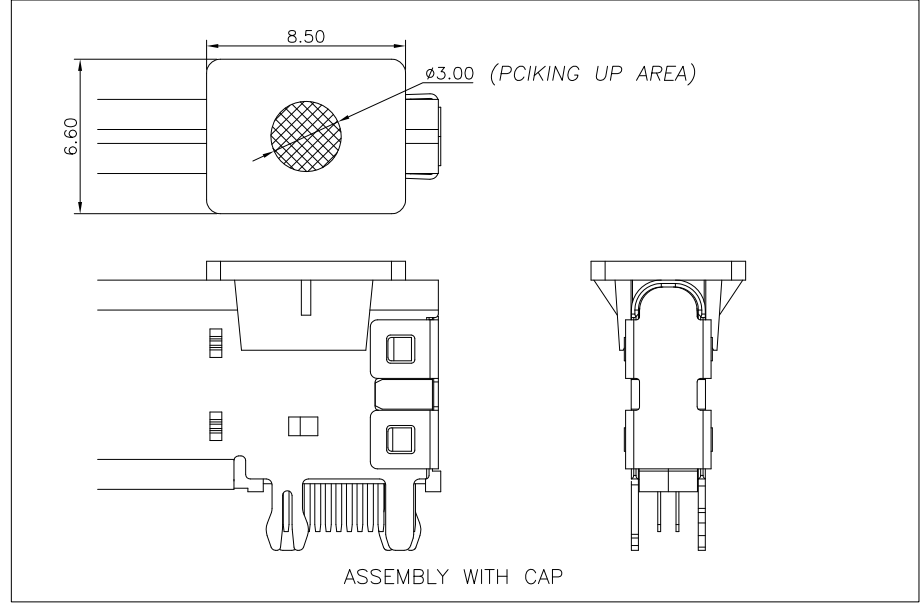
REVISIONS				
SYM	ECN	DESCRIPTION	DATE	APPROVED



SEE DETAIL X



- PACKING: 1. 300 PCS/REEL.
2. 5 REEL/Carton



UNLESS OTHERWISE SPECIFIED TOLERANCES U.S. METRIC .X +/- 0.50 .XX +/- 0.20 .XXX +/- 0.10 FRACTIONS +/- ANGLES +/- 3° FOR MATERIALS AND FINISHES SEE NOTES	APPROVAL DRAWN Alec.li CHECKED Michael.qh CHECKED	DATE 02/11/22 02/11/22	Amphenol Amphenol East Asia Limited	
	DRAWING FILE : R:\DCI\Engineering\data\ROD.L\程图客户图			TITLE USB 2.0, Type C socket connector, R/A_top mount, Double DIP type
	REMOVE SHARP EDGES DIMENSIONS U.S. INCHES (METRIC) (MM)	ANGLE OF PROJECTION 	SIZE DRAWING NO. A3 C 12402054	REV. 7
	SCALE NONE		SHEET 3 OF 3	