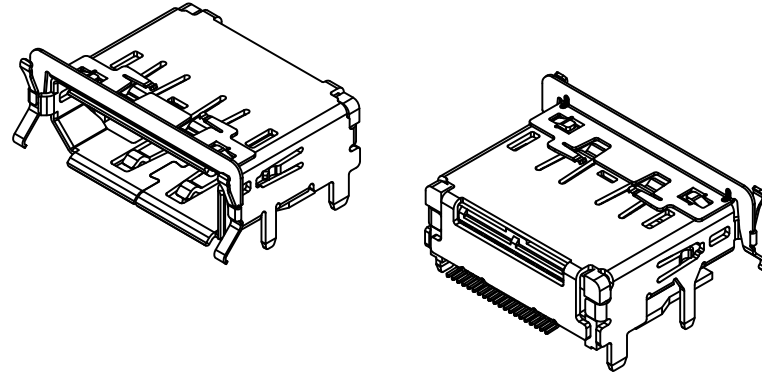
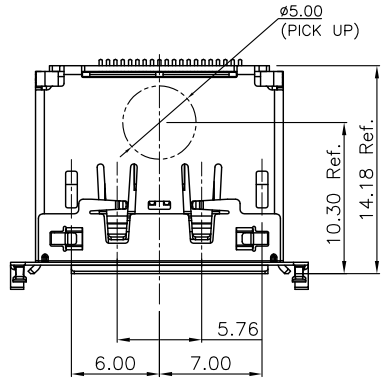


RoHS & HF Compliant

REV.	DESCRIPTION	DATE

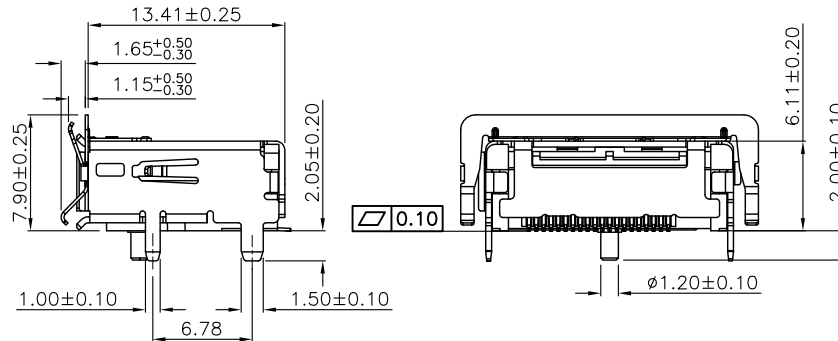
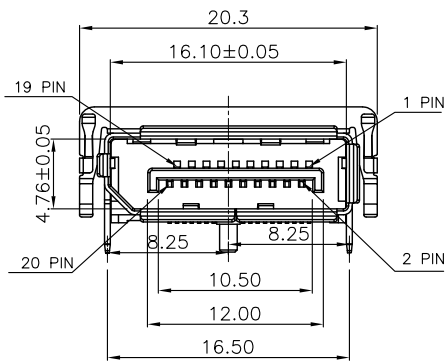


MATERIALS

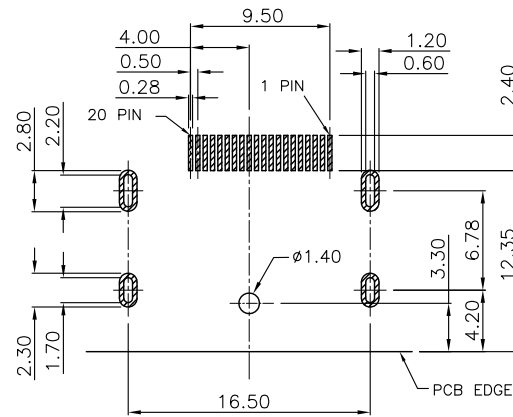
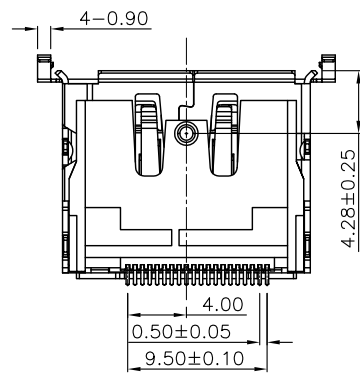
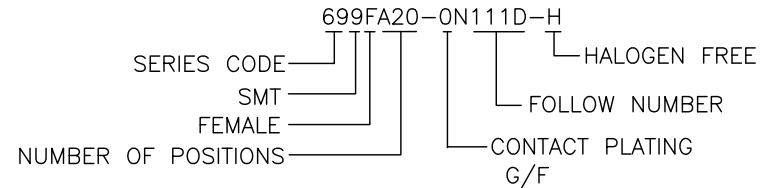
- HOUSING : LCP (E106764), UL 94V-0, BLACK.
- TERMINAL : COPPER ALLOY, T=0.20mm, GOLD FLASH. 30u" UNDER NICKEL PLATING.
- SHELL : COPPER ALLOY, T=0.4mm, 50u" NICKEL PLATING.
- EMI SPRING : SUS301-1/2H, T=0.20mm.

SPECIFICATION

- CURRENT RATING : 0.5A MAX.
- DIELECTRIC WITHSTANDING VOLTAGE : 500V AC R.M.S. FOR 1 MINUTE.
- INSULATION RESISTANCE : 100MΩ MIN. AT 500V DC.
- CONTACT RESISTANCE : 30mΩ MAX.
- OPERATING TEMPERATURE : -40°C TO +85°C.
- DURABILITY : 10,000 CYCLES.
- INSERTION FORCE : 4.5kgf MAX.
- WITHDRAWAL FORCE : 1.0kgf MIN.
- EMI SPRING FORCE : 600gf MIN.
- SOLDERING HEAT RESISTANCE REFLOW SOLDERING.



PART NUMBER INFORMATION



RECOMMENDED P.C.B LAYOUT
TOLERANCE ±0.05
TOP VIEW

TOLERANCE .0=±0.25 .00=±0.15 .000=±0.05 ANG.=±3'	DRAWER <i>Chen</i>	NAME DISPLAYPORT R/A SMT TYPE. FEMALE. WITH SPRING
	CHECK <i>Stony</i>	
	APP'D <i>Stony</i>	DRAW NO.
	PRODUCT SPEC. —	R699FA20-0N111D-H
UNITS : mm	SHEET 1 OF 2	REV. D
SCALE NONE	SIZE A4	