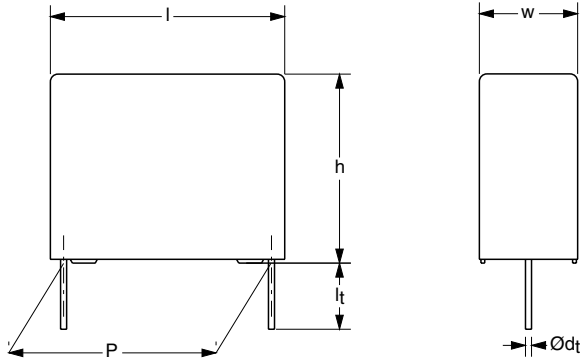


Metallized Polyester Film Capacitors MKT Radial Potted Type



APPLICATIONS

Blocking and coupling. Bypass and energy reservoir

MARKING

C-value; tolerance; rated voltage; code for manufacturer; manufacturer's type designation; code for dielectric material; code for factory of origin, year and week of manufacturer

DIELECTRIC

Polyester film

ELECTRODES

Vacuum deposited aluminum

ENCAPSULATION

Flame retardant plastic case and epoxy resin (UL-class 94 V-0)

CONSTRUCTION

Wound mono construction

LEADS

Tinned wire

CAPACITANCE RANGE (E12 SERIES)

0.0047 to 15 μ F

FEATURES

Available taped and loose in box

Lead (Pb)-free product

RoHS-compliant product

CAPACITANCE TOLERANCE

$\pm 10\%$; $\pm 5\%$

RATED (DC) VOLTAGE

100 V; 250 V; 400 V; 630 V

RATED (AC) VOLTAGE

63 V; 160 V; 220 V; 250 V

CLIMATIC CATEGORY

55/105/56

RATED TEMPERATURE

85 °C

MAXIMUM APPLICATION TEMPERATURE

105 °C

REFERENCE SPECIFICATIONS

IEC 60384-2

PERFORMANCE GRADE

Grade 1 (long life)

DETAIL SPECIFICATION

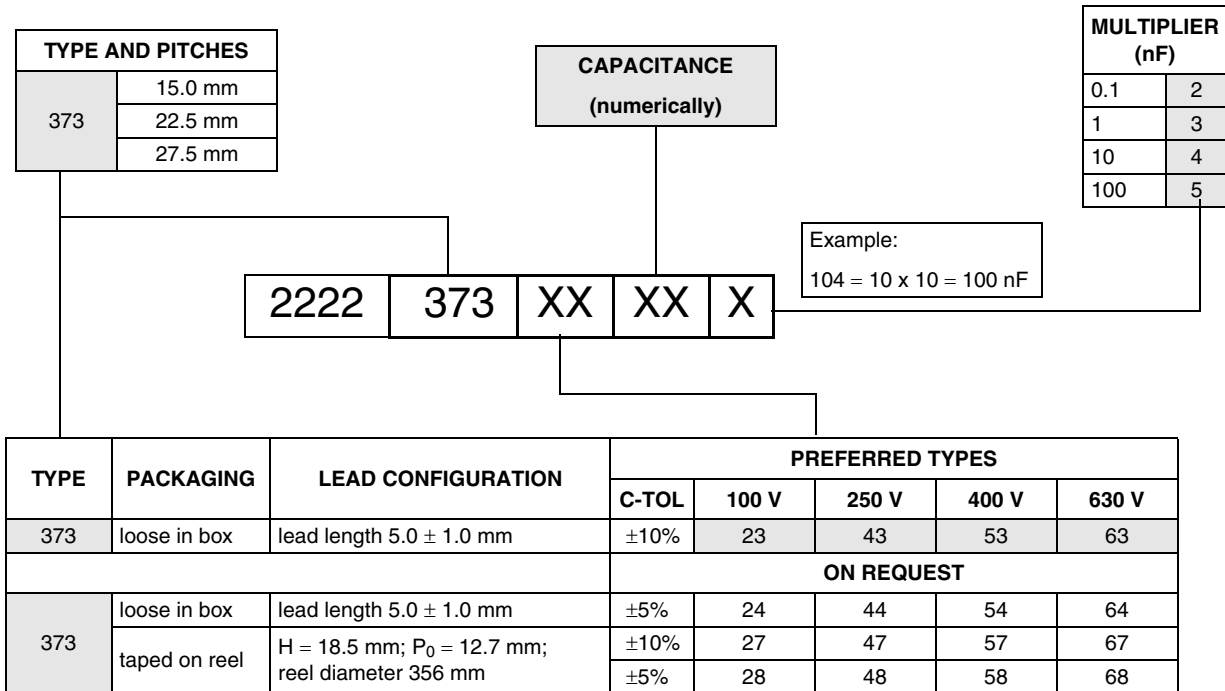
For more detailed data and test requirements contact:

filmcaps.roeselare@vishay.com



RoHS
COMPLIANT

COMPOSITION OF CATALOG NUMBER



SPECIFIC REFERENCE DATA

DESCRIPTION	VALUE			
	at 1 kHz	at 10 kHz	at 100 kHz	
Tangent of loss angle:				
0.33 μF < C ≤ 0.47 μF	≤75 × 10 ⁻⁴	≤130 × 10 ⁻⁴	≤300 × 10 ⁻⁴	
0.47 μF < C ≤ 1.0 μF	≤75 × 10 ⁻⁴	≤130 × 10 ⁻⁴	-	
1.0 μF < C ≤ 10 μF	≤75 × 10 ⁻⁴	≤150 × 10 ⁻⁴	-	
C > 10 μF	≤75 × 10 ⁻⁴	-	-	
Rated voltage pulse slope (dU/dt) _R :	at 100 V (DC)	at 250 V (DC)	at 400 V (DC)	at 630 V (DC)
P = 15 mm	14 V/μs	16 V/μs	34 V/μs	90 V/μs
P = 22.5 mm	5 V/μs	7 V/μs	14 V/μs	35 V/μs
P = 27.5 mm	4 V/μs	6 V/μs	12 V/μs	30 V/μs
R between leads, for C ≤ 0.33 μF:				
at 100 V; 1 minute	>15000 MΩ	>30000 MΩ	>30000 MΩ	
at 500 V; 1 minute				>30000 MΩ
RC between leads, for C > 0.33 μF:				
at 100 V; 1 minute	>5000 s	>10000 s	>10000 s	
at 500 V; 1 minute				>10000 s
R between interconnected leads and case (foil method)	>30000 MΩ	>30000 MΩ	>30000 MΩ	>30000 MΩ
Withstanding (DC) voltage (cut off current 10 mA); rise time 100 V/s	160 V; 1 minute	400 V; 1 minute	640 V; 1 minute	1008 V; 1 minute
Withstanding (DC) voltage between leads and case	200 V; 1 minute	500 V; 1 minute	800 V; 1 minute	1260 V; 1 minute



MKT 373 Compact Size

Metallized Polyester Film Capacitors Vishay BCcomponents
MKT Radial Potted Type

$U_{Rdc} = 100\text{ V}$, $U_{Rac} = 63\text{ V}$ (compact size)

C (μF)	DIMENSIONS w × h × l (mm)	MASS (g)	CATALOG NUMBER 2222 373 AND PACKAGING				
			LOOSE IN BOX		REEL		
			$l_t = 5.0 \pm 1.0\text{ mm}$			SPQ	SPQ
			C-tol = $\pm 10\%$		last 5 digits of catalog number		
Pitch = $15.0 \pm 0.4\text{ mm}$; $d_t = 0.60 \pm 0.06\text{ mm}$							
0.33	5.0 × 11.0 × 17.5	1.1	23334	1000	1100		
0.39			23394				
0.47			23474				
0.56			23564				
0.68			23684				
0.82			23824				
1			23105				
1.2			23125				
1.5			23155				
1.8	23185						
2.2	6.0 × 12.0 × 17.5	1.4	23225	1000	900		

$U_{Rdc} = 250\text{ V}$, $U_{Rac} = 160\text{ V}$ (compact size)

C (μF)	DIMENSIONS w × h × l (mm)	MASS (g)	CATALOG NUMBER 2222 373 AND PACKAGING				
			LOOSE IN BOX		REEL		
			$l_t = 5.0 \pm 1.0\text{ mm}$			SPQ	SPQ
			C-tol = $\pm 10\%$		last 5 digits of catalog number		
Pitch = $15.0 \pm 0.4\text{ mm}$; $d_t = 0.60 \pm 0.06\text{ mm}$							
0.15	5.0 × 11.0 × 17.5	1.1	43154	1000	1100		
0.18			43184				
0.22			43224				
0.27			43274				
0.33			43334				
0.39	6.0 × 12.0 × 17.5	1.4	43394	1000	900		
0.47			43474				
Pitch = $15.0 \pm 0.4\text{ mm}$; $d_t = 0.80 \pm 0.08\text{ mm}$							
0.56	7.0 × 13.5 × 17.5	1.9	43564	1000	800		
0.68			43684				
0.82	8.5 × 15.0 × 17.5	2.6	43824	1000	650		
1			43105				
1.2	10.0 × 16.5 × 17.5	3.1	43125	500	600		
Pitch = $22.5 \pm 0.4\text{ mm}$; $d_t = 0.80 \pm 0.08\text{ mm}$							
1.5	8.5 × 18.0 × 26.0	4.4	43155	200	450		
1.8			43185				
2.2	10.0 × 19.5 × 26.0	5.5	43225	200	350		
2.7			43275				
Pitch = $27.5 \pm 0.4\text{ mm}$; $d_t = 0.80 \pm 0.08\text{ mm}$							
3.3	11.0 × 21.0 × 31.0	7.8	43335	100			
3.9	13.0 × 23.0 × 31.0	10.4	43395	100			
4.7			43475				

MKT 373 Compact Size

Vishay BCcomponents Metallized Polyester Film Capacitors
MKT Radial Potted Type



$U_{Rdc} = 400\text{ V}$, $U_{Rac} = 220\text{ V}$ (compact size)

C (μF)	DIMENSIONS w × h × l (mm)	MASS (g)	CATALOG NUMBER 2222 373 AND PACKAGING		
			LOOSE IN BOX		REEL
			$l_t = 5.0 \pm 1.0\text{ mm}$		SPQ
			C-tol = $\pm 10\%$		
last 5 digits of catalog number		SPQ	SPQ		
Pitch = $15.0 \pm 0.4\text{ mm}$; $d_t = 0.60 \pm 0.06\text{ mm}$					
0.047	5.0 × 11.0 × 17.5	1.1	53473	1000	1100
0.056			53563		
0.068			53683		
0.082			53823		
0.1			53104		
0.12			53124		
0.15	53154	1.4	53184	1000	900
0.18	6.0 × 12.0 × 17.5		53224		
0.22					
Pitch = $15.0 \pm 0.4\text{ mm}$; $d_t = 0.80 \pm 0.08\text{ mm}$					
0.27	7.0 × 13.5 × 17.5	1.9	53274	1000	800
0.33			53334		
0.39	8.5 × 15.0 × 17.5	2.6	53394	1000	650
0.47			53474		
0.56	10.0 × 16.5 × 17.5	3.2	53564	500	600
Pitch = $22.5 \pm 0.4\text{ mm}$; $d_t = 0.80 \pm 0.08\text{ mm}$					
0.68	8.5 × 18.0 × 26.0	4.4	53684	200	450
0.82			53824		
1	10.0 × 19.5 × 26.0	5.5	53105	200	350
1.2			53125		
Pitch = $27.5 \pm 0.4\text{ mm}$; $d_t = 0.80 \pm 0.08\text{ mm}$					
1.5	11.0 × 21.0 × 31.0	7.8	53155	100	
1.8	13.0 × 23.0 × 31.0	10.5	53185	100	
2.2			53225		

$U_{Rdc} = 630\text{ V}$, $U_{Rac} = 250\text{ V}$ (compact size)

C (μF)	DIMENSIONS w × h × l (mm)	MASS (g)	CATALOG NUMBER 2222 373 AND PACKAGING		
			LOOSE IN BOX		REEL
			$l_t = 5.0 \pm 1.0\text{ mm}$		SPQ
			C-tol = $\pm 10\%$		
last 5 digits of catalog number		SPQ	SPQ		
Pitch = $15.0 \pm 0.4\text{ mm}$; $d_t = 0.60 \pm 0.06\text{ mm}$					
0.047	5.0 × 11.0 × 17.5	1.1	63473	1000	1100
0.056			63563		
0.068	6.0 × 12.0 × 17.5	1.4	63683	1000	900
0.082			63823		
Pitch = $15.0 \pm 0.4\text{ mm}$; $d_t = 0.80 \pm 0.08\text{ mm}$					
0.1	7.0 × 13.5 × 17.5	1.9	63104	1000	800
0.12			63124		
0.15	8.5 × 15.0 × 17.5	2.6	63154	1000	650
0.18			63184		
0.22	10.0 × 16.5 × 17.5	3.2	63224	500	600
Pitch = $22.5 \pm 0.4\text{ mm}$; $d_t = 0.80 \pm 0.08\text{ mm}$					
0.27	8.5 × 18.0 × 26.0	4.4	63274	200	450
0.33			63334		
0.39	10.0 × 19.5 × 26.0	5.5	63394	200	350
0.47			63474		
Pitch = $27.5 \pm 0.4\text{ mm}$; $d_t = 0.80 \pm 0.08\text{ mm}$					
0.56	11.0 × 21.0 × 31.0	7.8	63564	100	
0.68	13.0 × 23.0 × 31.0	10.5	63684	100	
0.82			63824		
1	15.0 × 25.0 × 31.0	7.8	63105	100	



MKT 373 Standard Size

Metallized Polyester Film Capacitors
MKT Radial Potted Type

Vishay BCcomponents

$U_{Rdc} = 100\text{ V}$, $U_{Rac} = 63\text{ V}$ (standard size)

C (μF)	DIMENSIONS w × h × l (mm)	MASS (g)	CATALOG NUMBER 2222 373 AND PACKAGING		
			LOOSE IN BOX		REEL
			$l_t = 5.0 \pm 1.0\text{ mm}$		SPQ
			C-tol = $\pm 10\%$	SPQ	
last 5 digits of catalog number		SPQ			
Pitch = $15.0 \pm 0.4\text{ mm}$; $d_t = 0.60 \pm 0.06\text{ mm}$					
0.33 0.39 0.47 0.56 0.68	5.0 × 11.0 × 17.5	1.1	21334 21394 21474 21564 21684	1000	1100
0.82 1	6.0 × 12.0 × 17.5	1.4	21824 21105	1000	900
Pitch = $15.0 \pm 0.4\text{ mm}$; $d_t = 0.80 \pm 0.08\text{ mm}$					
1.2 1.5	7.0 × 13.5 × 17.5	1.9	21125 21155	1000	800
1.8 2.2	8.5 × 15.0 × 17.5	2.6	21185 21225	1000	650
Pitch = $22.5 \pm 0.4\text{ mm}$; $d_t = 0.80 \pm 0.08\text{ mm}$					
2.7 3.3	8.5 × 18.0 × 26.0	4.4	21275 21335	200	450
3.9 4.7	10.0 × 19.5 × 26.0	5.5	21395 21475	200	350
Pitch = $27.5 \pm 0.4\text{ mm}$; $d_t = 0.80 \pm 0.08\text{ mm}$					
5.6 6.8	11.0 × 21.0 × 31.0	8.0	21565 21685	100	
8.2 10	13.0 × 23.0 × 31.0	10.5	21825 21106	100	
12 15	18.0 × 28.0 × 31.0	17.5	21126 21156	100	

$U_{Rdc} = 250\text{ V}$, $U_{Rac} = 160\text{ V}$ (standard size)

C (μF)	DIMENSIONS w × h × l (mm)	MASS (g)	CATALOG NUMBER 2222 373 AND PACKAGING		
			LOOSE IN BOX		REEL
			$l_t = 5.0 \pm 1.0\text{ mm}$		SPQ
			C-tol = $\pm 10\%$	SPQ	
last 5 digits of catalog number		SPQ			
Pitch = $15.0 \pm 0.4\text{ mm}$; $d_t = 0.60 \pm 0.06\text{ mm}$					
0.15 0.18 0.22	5.0 × 11.0 × 17.5	1.1	41154 41184 41224	1000	1100
0.27 0.33 0.39 0.47	6.0 × 12.0 × 17.5	1.4	41274 41334 41394 41474	1000	900
Pitch = $15.0 \pm 0.4\text{ mm}$; $d_t = 0.80 \pm 0.08\text{ mm}$					
0.56 0.68	7.0 × 13.5 × 17.5	1.9	41564 41684	1000	800
0.82 1	8.5 × 15.0 × 17.5	2.6	41824 41105	1000	650

MKT 373 Standard Size



Vishay BCcomponents Metallized Polyester Film Capacitors
MKT Radial Potted Type

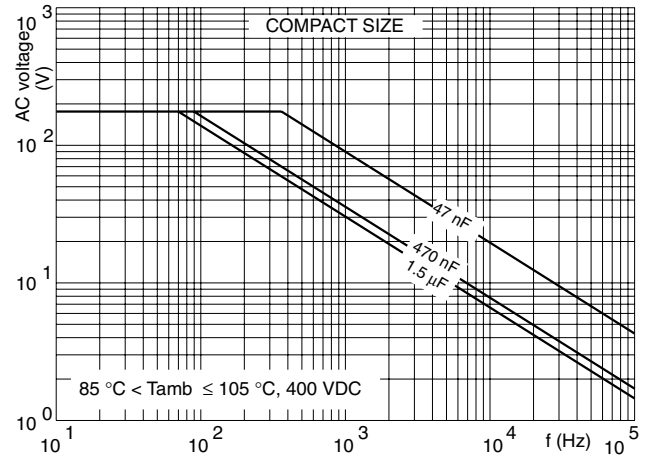
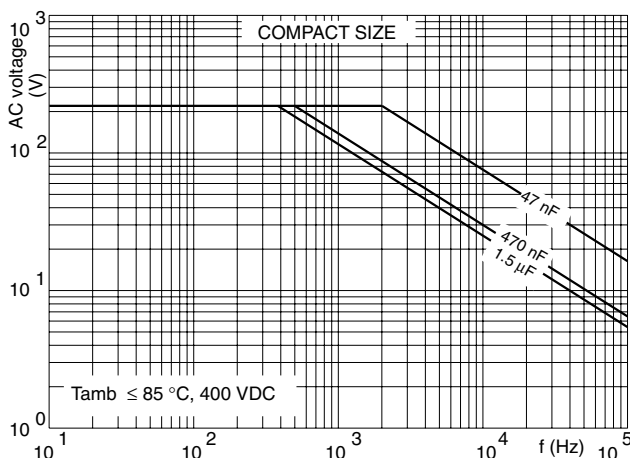
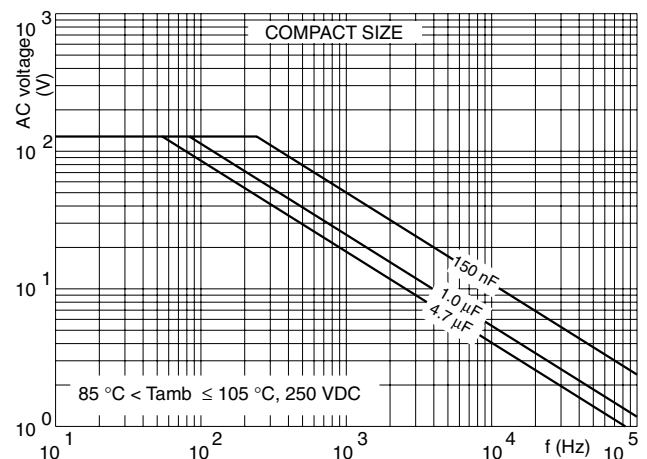
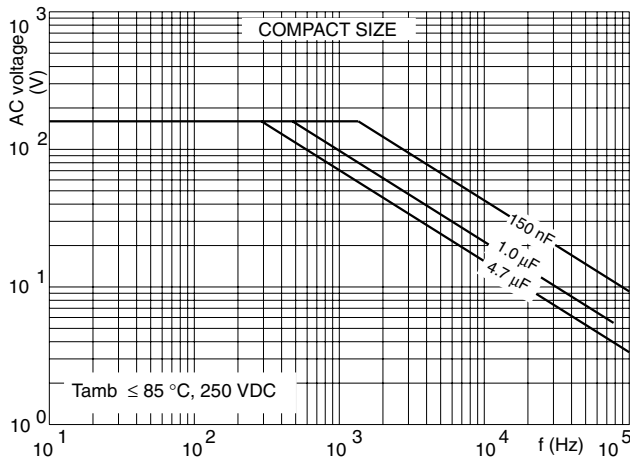
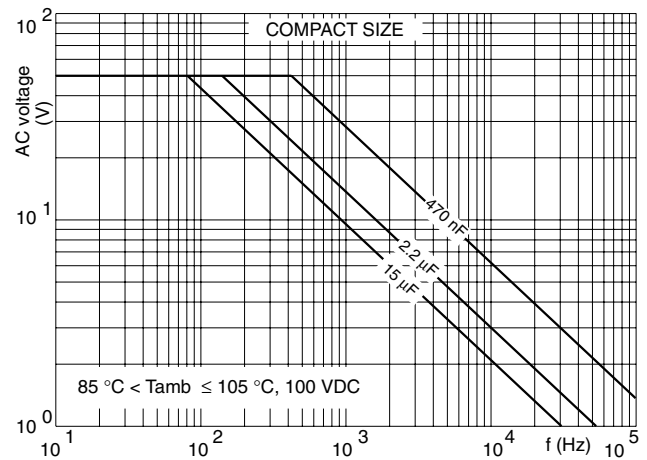
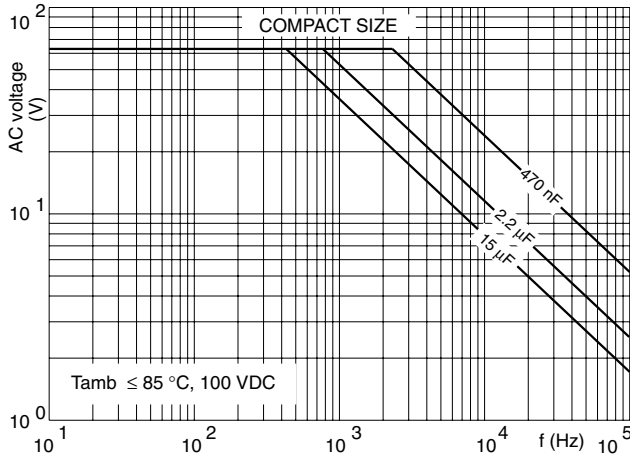
C (μ F)	DIMENSIONS w × h × l (mm)	MASS (g)	CATALOG NUMBER 2222 373 AND PACKAGING		
			LOOSE IN BOX		REEL
			$l_t = 5.0 \pm 1.0$ mm		SPQ
			C-tol = $\pm 10\%$	last 5 digits of catalog number	
Pitch = 22.5 ± 0.4 mm; $d_t = 0.80 \pm 0.08$ mm					
1.2	8.5 × 18.0 × 26.0	4.4	41125	200	450
1.5			41155		
1.8	10.0 × 19.5 × 26.0	5.5	41185	200	350
2.2			41225		
Pitch = 27.5 ± 0.4 mm; $d_t = 0.80 \pm 0.08$ mm					
2.7	13.0 × 23.0 × 31.0	10.4	41275	100	
3.3			41335		
3.9	15.0 × 25.0 × 31.0	12.5	41395	100	
4.7			41475		

$U_{Rdc} = 400$ V, $U_{Rac} = 220$ V (standard size)

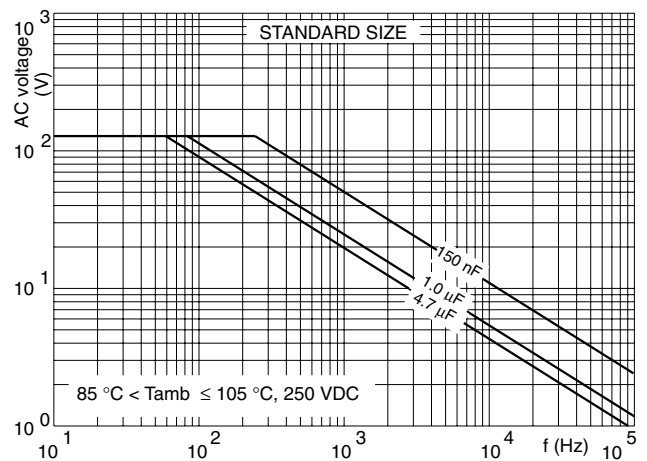
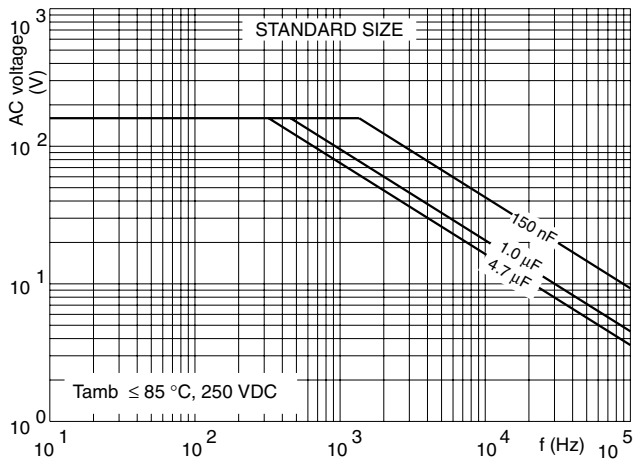
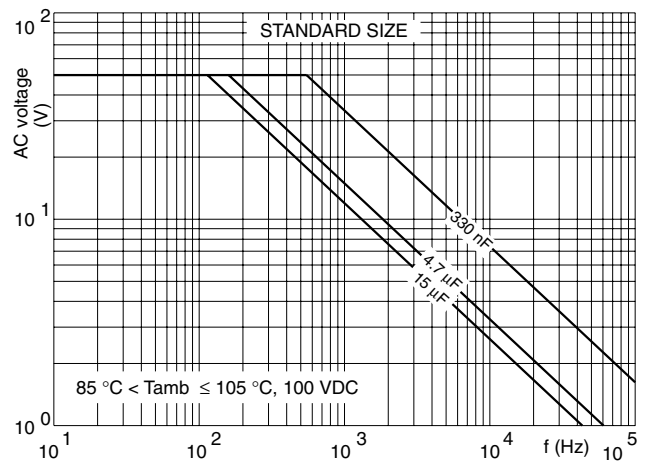
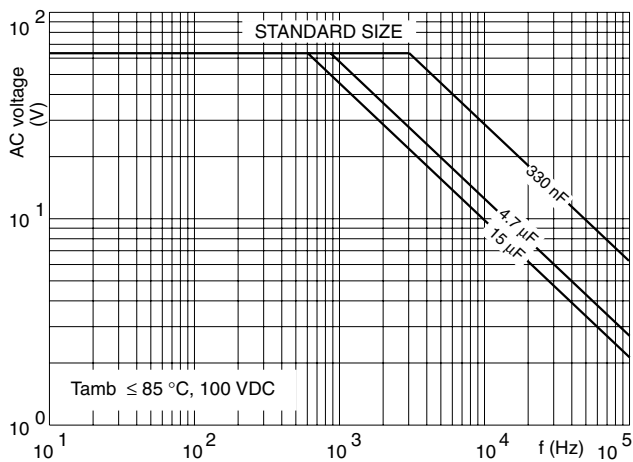
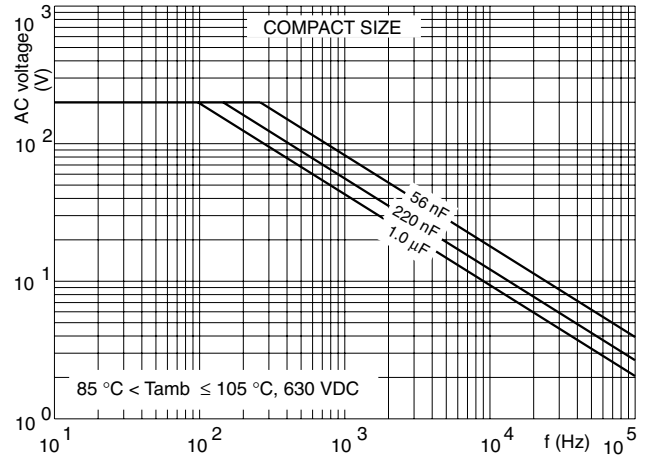
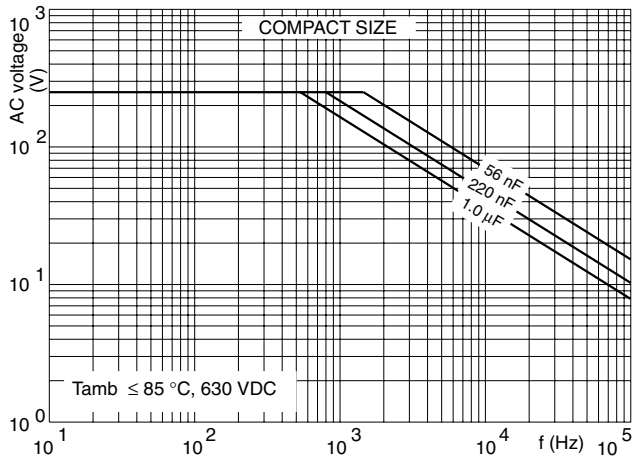
C (μ F)	DIMENSIONS w × h × l (mm)	MASS (g)	CATALOG NUMBER 2222 373 AND PACKAGING		
			LOOSE IN BOX		REEL
			$l_t = 5.0 \pm 1.0$ mm		SPQ
			C-tol = $\pm 10\%$	last 5 digits of catalog number	
Pitch = 15.0 ± 0.4 mm; $d_t = 0.60 \pm 0.06$ mm					
0.047	5.0 × 11.0 × 17.5	1.1	51473	1000	1100
0.056			51563		
0.068			51683		
0.082			51823		
0.1			51104		
0.12	6.0 × 12.0 × 17.5	1.4	51124	1000	900
0.15			51154		
Pitch = 15.0 ± 0.4 mm; $d_t = 0.80 \pm 0.08$ mm					
0.18	7.0 × 13.5 × 17.5	1.9	51184	1000	800
0.22			51224		
0.27	8.5 × 15.0 × 17.5	2.6	51274	1000	650
0.33			51334		
Pitch = 22.5 ± 0.4 mm; $d_t = 0.80 \pm 0.08$ mm					
0.39	8.5 × 18.0 × 26.0	4.4	51394	200	450
0.47			51474		
0.56	10.0 × 19.5 × 26.0	4.4	51564	200	350
0.68		5.5	51684		
Pitch = 27.5 ± 0.4 mm; $d_t = 0.80 \pm 0.08$ mm					
0.82	11.0 × 21.0 × 31.0	7.8	51824	100	
1			51105		
1.2	15.0 × 25.0 × 31.0	12.8	51125	100	
1.5			51155		



MAXIMUM RMS VOLTAGE (SINEWAVE) AS A FUNCTION OF FREQUENCY

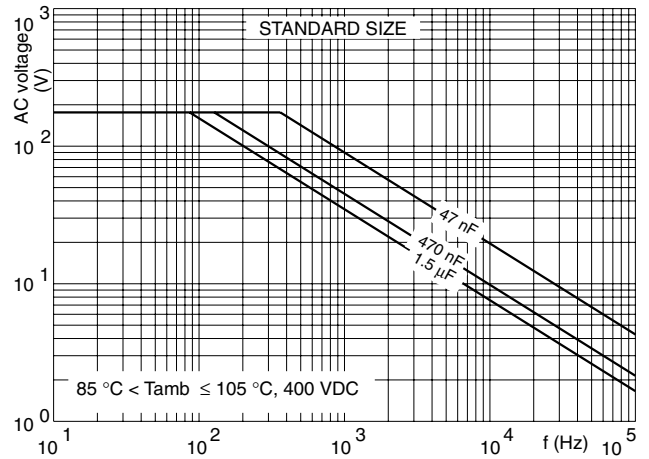
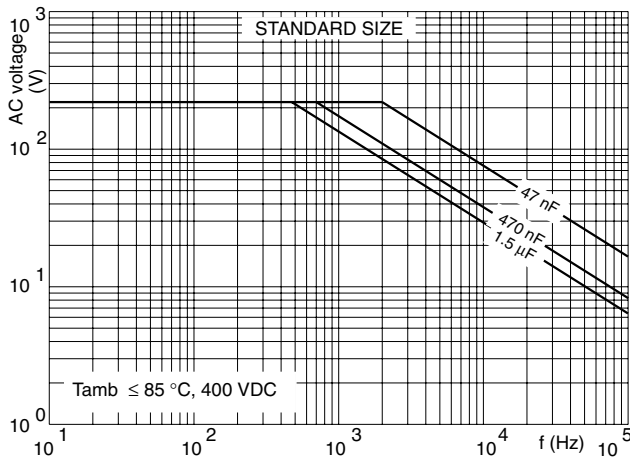


Vishay BCcomponents Metallized Polyester Film Capacitors
MKT Radial Potted Type

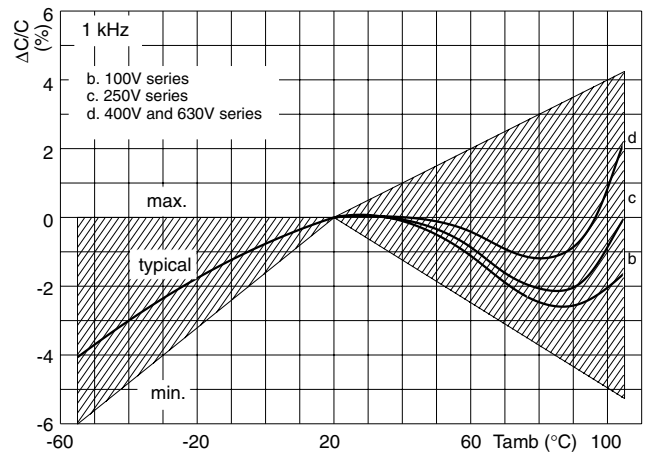
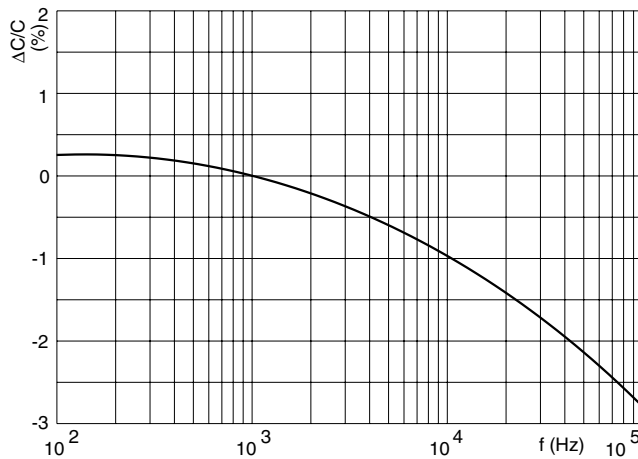




Metallized Polyester Film Capacitors Vishay BCcomponents
MKT Radial Potted Type



CAPACITANCE



IMPEDANCE

