

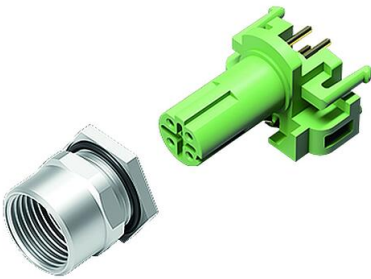
# Product data sheet

## Automation technology - Data transmission

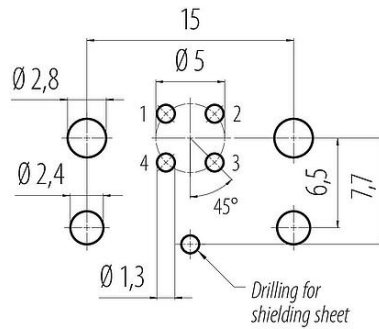


Product description	<b>M12 Female panel mount connector, Contacts: 4, shieldable, THR, IP67, UL 2238, M12x1.0, Rear mounting</b>
Area	<b>M12-D</b>
Coding	<b>D-coded</b>
Series	<b>876</b>
Part no.	<b>99 3732 201 04</b>

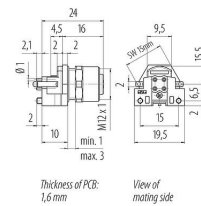
### Illustration



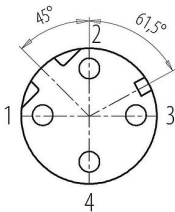
### Conductor layout



### Scale drawing



### Contact arrangement (Plug-in side)



You can find the assembly instructions on the next page.

### Technical data

#### General features

Part no.	<b>99 3732 201 04</b>
Connector design	Female panel mount connector
Type standard	DIN EN 61076-2-101
Coding	D-coded
Version	Connector socket straight
Connector locking system	screw
Termination	THR
Degree of protection	IP67
Temperature range from/to	-40 °C / 85 °C
Mechanical operation	> 100 Mating cycles
Weight (g)	11.09
Customs tariff number	85369010

# Product data sheet

## Automation technology - Data transmission



Product description	<b>M12 Female panel mount connector, Contacts: 4, shieldable, THR, IP67, UL 2238, M12x1.0, Rear mounting</b>
Area	<b>M12-D</b>
Coding	<b>D-coded</b>
Series	<b>876</b>
Part no.	<b>99 3732 201 04</b>

Country of Origin	HU
-------------------	----

### Electrical parameters

Rated voltage	250 V
Rated impulse voltage	2500 V
Rated current	4.0 A
Insulation resistance	$> 10^{10} \Omega$
Pollution degree	3
Transmission rate	CAT 5
Overvoltage category	II
Insulating material group	II
EMC compliance	shieldable
Shield connection	Shielding plate

### Material

Housing material	CuZn (Brass nickel plated)
Contact body material	PA
Contact material	CuSn (bronze)
Contact plating	Au (gold)
Locking material	CuZn (brass)
REACH SVHC	CAS 7439-92-1 (Lead)
SCIP number	513ce237-e6cd-416a-aeb6-3ba461536977

### Authorization/approvals

Approvals	UL 2238
-----------	---------

### Classifications

eCl@ss 11.1	27-44-01-02
ETIM 9.0	EC002635

# Product data sheet

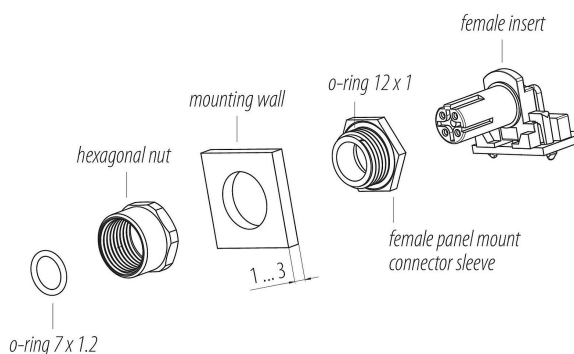
## Automation technology - Data transmission



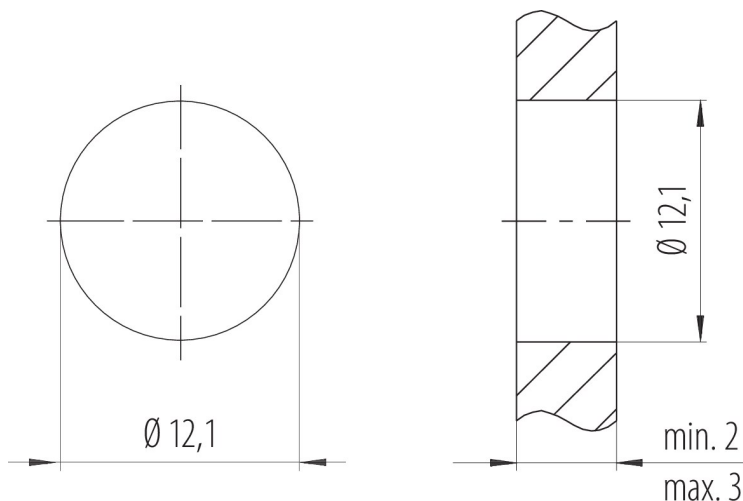
Product description	<b>M12 Female panel mount connector, Contacts: 4, shieldable, THR, IP67, UL 2238, M12x1.0, Rear mounting</b>
Area	<b>M12-D</b>
Coding	<b>D-coded</b>
Series	<b>876</b>
Part no.	<b>99 3732 201 04</b>

### Assembly instructions

1. Fit the o-ring 12 x 1 onto the female panel mount connector sleeve and push it into the groove.
2. Push female panel mount connector sleeve through mounting wall.
3. Put on the nut and tighten it. Pay attention to the alignment of the female panel mount connector sleeve.
4. Insert the female insert into the female panel mount connector sleeve.
5. Thread the o-ring 7 x 1.2 onto the female insert and push it with a suitable tool in the direction of the stop surface of the female panel mount connector sleeve.



### Assembly instructions / Panel cut-out



Tightening torque  
M12 x 1      1,00 Nm

## Product data sheet

# Automation technology - Data transmission



Product description	<b>M12 Female panel mount connector, Contacts: 4, shieldable, THR, IP67, UL 2238, M12x1.0, Rear mounting</b>
Area	<b>M12-D</b>
Coding	<b>D-coded</b>
Series	<b>876</b>
Part no.	<b>99 3732 201 04</b>

### Security notices

The connector must not be plugged or unplugged under load. Non-observance and improper use can result in personal injury.

The connectors have been developed for applications in plant engineering, control and electrical equipment construction. The user is responsible for checking whether the connectors can also be used in other areas of application.

Connectors which are used in circuits with voltages dangerous to the touch may only be installed and used by, or under the supervision of, persons with electrical engineering training, taking into account the applicable regulations and standards.

The user must take suitable safety precautions to ensure that the connector cannot be accidentally disconnected.

Plug connectors with enclosure protection IP67 and IP68 are not suitable for use under water. When used outdoors, the plug connectors must be protected separately against corrosion. For further information on the IP protection classes, please refer to the "Technical Information" download centre.

Please observe the pollution degree and the overvoltage category. For further information, please refer to the download center "Technical Information".

To lock the cable connector with the device connector, the threaded ring is tightened "hand-tight" (approx. 60 cNm).