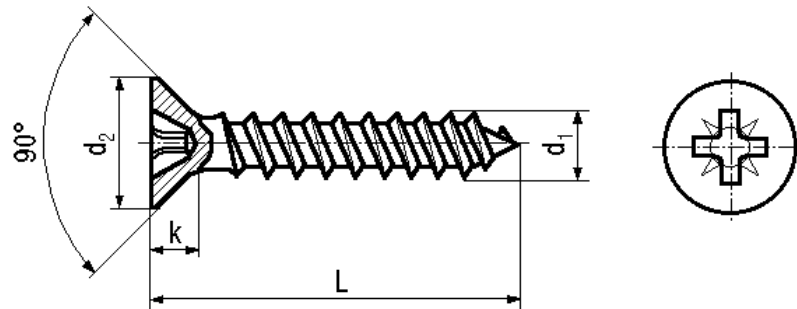


BN 1426

Flat countersunk head chipboard screws
 Pozidriv Z cross recessed, fully threaded
 case-hardened, with slicing coating



Trade mark	SPAX®	Surface	zinc plated yellow, waxed
Material	Steel		

Article No. - 1016202	
d ₁	3,5
L	16
d ₂	7
k max.	2,1
d	2

Screwdriver bits 1/4": BN 31514 and BN 31516 / CG 1.

Flat countersunk head chipboard screws with center hole: BN 1455

Hexalobular socket flat countersunk chipboard screws: BN 20183 and BN 14073