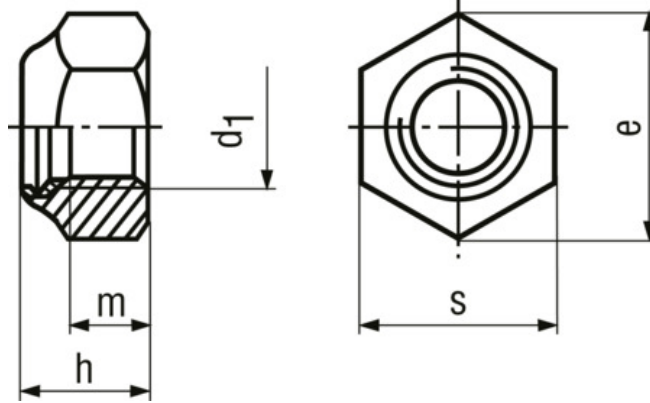


Prevailing torque type hex lock nuts thin type, with polyamide insert

BN 161



Standard **DIN 985** (Standard withdrawn), ~UNI 7474

Material **Steel**

Property class **6**

Surface **zinc plated blue**

M2; M2,5; M3,5: not included in DIN 985, M10; M12; M14; M22: wrench size according to ISO on request

Article no.	d1	e min.	h max.	m	s
1952935	M2	4,32	2,8	1	4
1094882	M2,5	5,45	3,7	2	5
1094904	M3	6,01	4	2,4	5,5
1094912	M3,5	6,58	4,5	2,6	6
1094920	M4	7,66	5	2,9	7
1094939	M5	8,79	5	3,2	8
1444921	M6	11,05	6	4	10
2049058	M7	12,12	7,5	4,7	11
1055550	M8	14,38	8	5,5	13
1055569	M10	18,9	10	6,5	17
1055577	M12	21,1	12	8	19
1055585	M14	24,49	14	9,5	22
1055593	M16	26,75	16	10,5	24
1118730	M18	29,56	18,5	13	27
1118811	M20	32,95	20	14	30
1118862	M22	35,03	22	15	32
1118900	M24	39,55	24	15	36
1118978					
1119567					
1122746					

Article no.	d1	e min.	h max.	m	s
1124692					
1124714					
