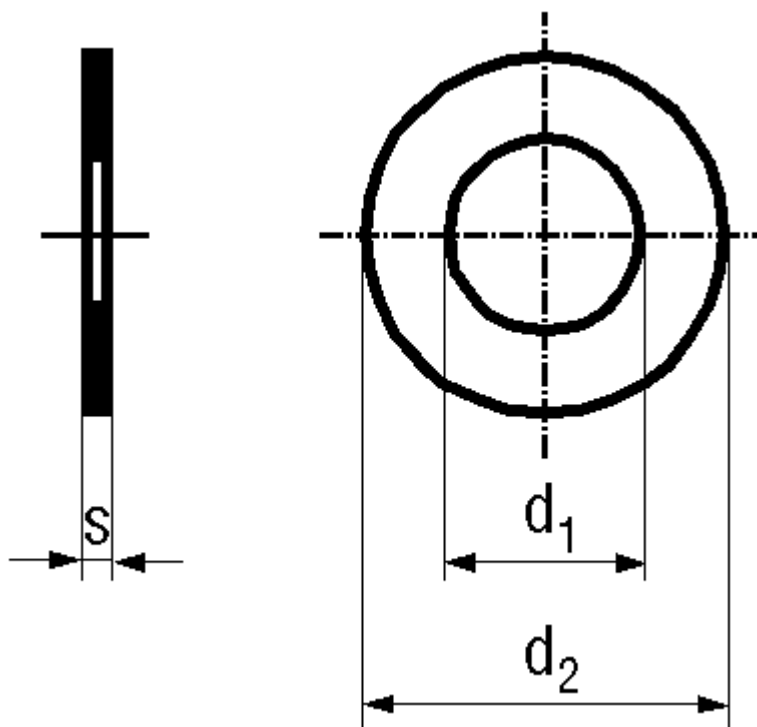


**BN 1976 - DIN 988**

 Shim rings  
 lubricated

DIN 988



Material	Steel	Quality	St 2 K50
Surface	plain	Hardness grade	St 2K50

Article No. - 1225359	
d <sub>1</sub>	4
d <sub>2</sub>	8
s	0,1