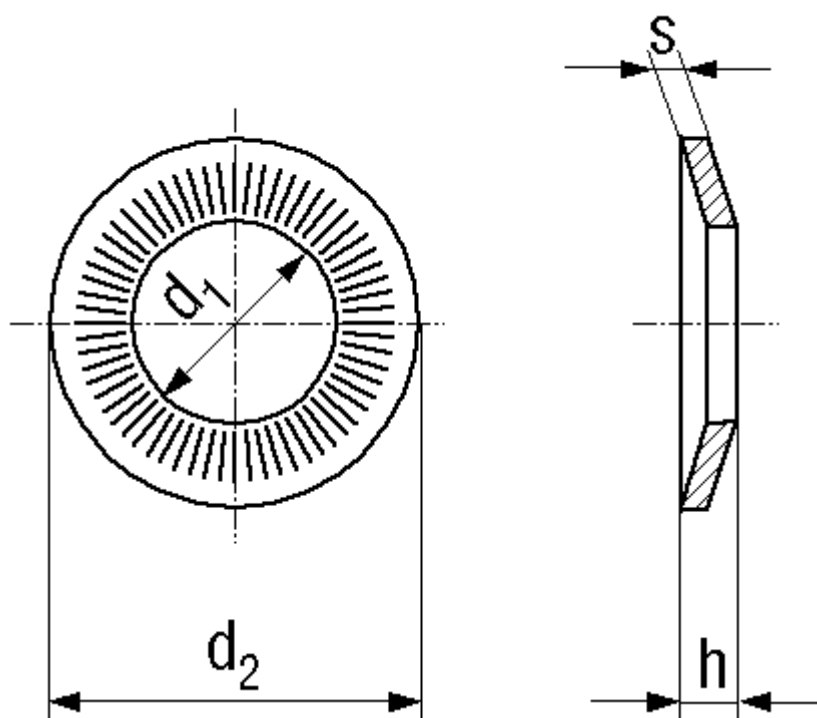


Washers for hex and machine screws

HFC 1275

Bossard

| | |
|------------|-----|
| for screws | M4 |
| d_1 | 4,1 |
| d_2 | 10 |
| h, h_3 | 1,4 |
| h | 1,4 |