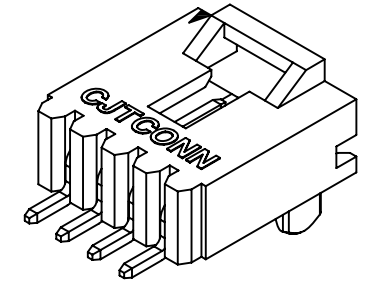


P.C.B LAYOUT

Ordering Information:
A2547WRA-S-F-XP - *
1 2

- 1.Part No.
2.Finish:
G - Gold over Nickel
(blank) - Tin over Nickel

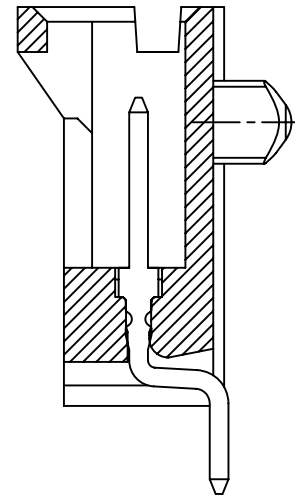
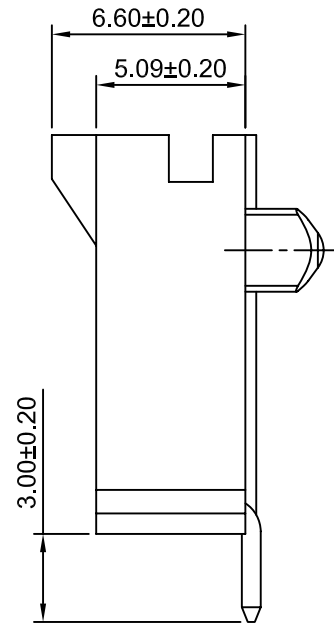
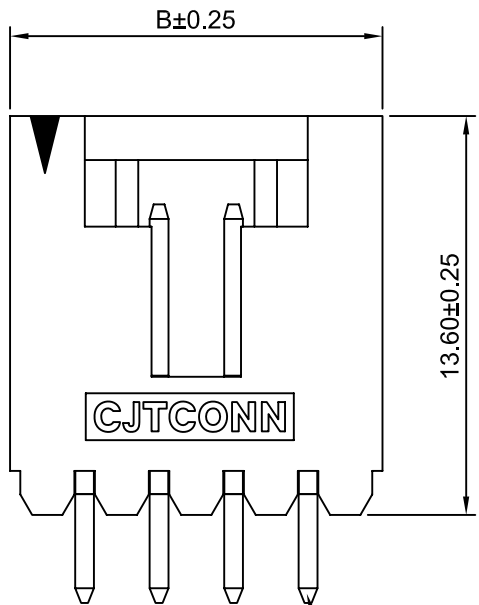


SPECIFICATIONS:

Current Rating: 3A AC,DC
Voltage Rating: 250V AC,DC
Temperature Range: -40°C ~ +105°C
Contact Resistance: 20mΩ Max
Insulation Resistance: 1000MΩ Min
Withstanding Voltage: 1500V AC/minute
Pin Material: Brass/Gold over Nickel
Material: PBT,UL94V-0(Black)

Ordering Information & Dimensions

Circuits	Dimensions(mm)			Circuits	Dimensions(mm)		
	A	B	C		A	B	C
2P	2.54	7.62	5.59	14P	33.02	38.10	36.07
3P	5.08	10.16	8.13	15P	35.56	40.64	38.61
4P	7.62	12.70	10.67	16P	38.10	43.18	41.15
5P	10.16	15.24	13.21	17P	40.64	45.72	43.69
6P	12.70	17.78	15.75	18P	43.18	48.26	46.23
7P	15.24	20.32	18.29	19P	45.72	50.80	48.77
8P	17.78	22.86	20.83	20P	48.26	53.34	51.31
9P	20.32	25.40	23.37	21P	50.80	55.88	53.85
10P	22.86	27.94	25.91	22P	53.34	58.42	56.39
11P	25.40	30.48	28.45	23P	55.88	60.96	58.93
12P	27.94	33.02	30.99	24P	58.42	63.50	61.47
13P	30.48	35.56	33.53	25P	60.96	66.04	64.01



Pin 0.64 SQ



CHANGJIANG CONNECTORS CO.,LTD.

Unit	Scale	Sheet
mm	4:1	1 of 1
Draw BY:	Approved :	
Tony Su	Jack Yin	

Title :
2.54mm Pitch
90° Wafer

			x.x≤0.25	ANGLE±
A0	NEW RELEASE	2005.07.01	x.xx≤0.20	
REV	DESCRIPTION	DATE	x.xxx≤0.15	

DRAW NO : A2547WRA-S-F-XP REV A0