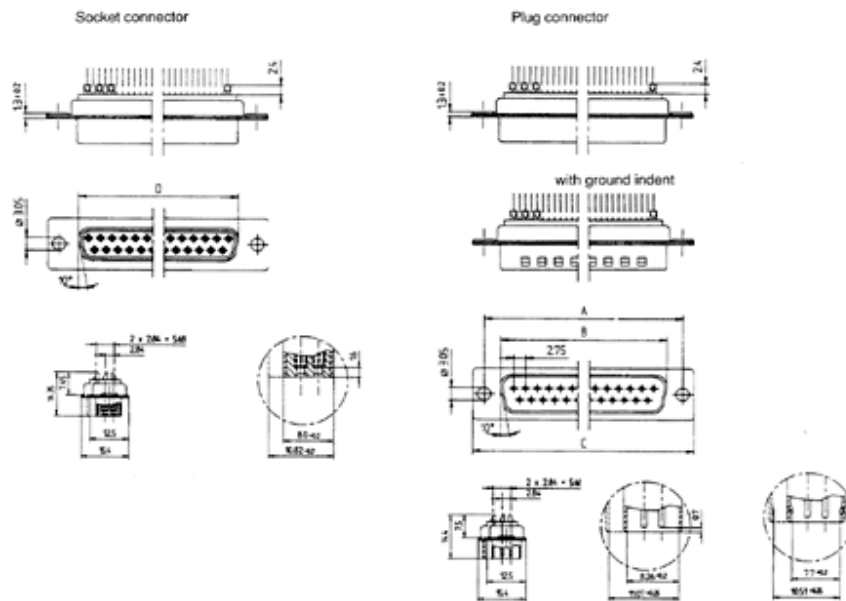


Solder cup

( click on the schematic(s) for a more detailed view )



No.of Pos.	A $\pm 0,2$	B $\pm 0,2$	C $\pm 0,4$	D $-0,2$	Dimples per connector with ground indent
9	25,0	17,84	30,8	16,41	2 x 3 = 06
15	33,3	26,17	39,2	24,74	2 x 5 = 10
25	47,0	39,89	53,0	38,51	2 x 08 = 16
37	63,5	56,30	69,4	54,94	2 x 12 = 24
50	61,1	53,81	67,0	52,50	2 x 12 = 24

## Part Numbers

<b>No.of Pos.</b>	<b>Socket connector</b>	
	<b>yellow zinc</b>	<b>tin-plated</b>
9	162 A 10019 X	164 A 10019 X
15	162 A 10029 X	164 A 10029 X
25	162 A 10039 X	164 A 10039 X
37	162 A 10049 X	164 A 10049 X
50	162 A 10059 X	164 A 10059 X
<b>No.of Pos.</b>	<b>Plug connector</b>	
	<b>yellow zinc</b>	<b>tin-plated with ground indent</b>
9	161 A 10019 X	163 A 11069 X
15	161 A 10029 X	163 A 11079 X
25	161 A 10039 X	163 A 11089 X
37	161 A 10049 X	163 A 11099 X
50	161 A 10059 X	163 A 11109 X