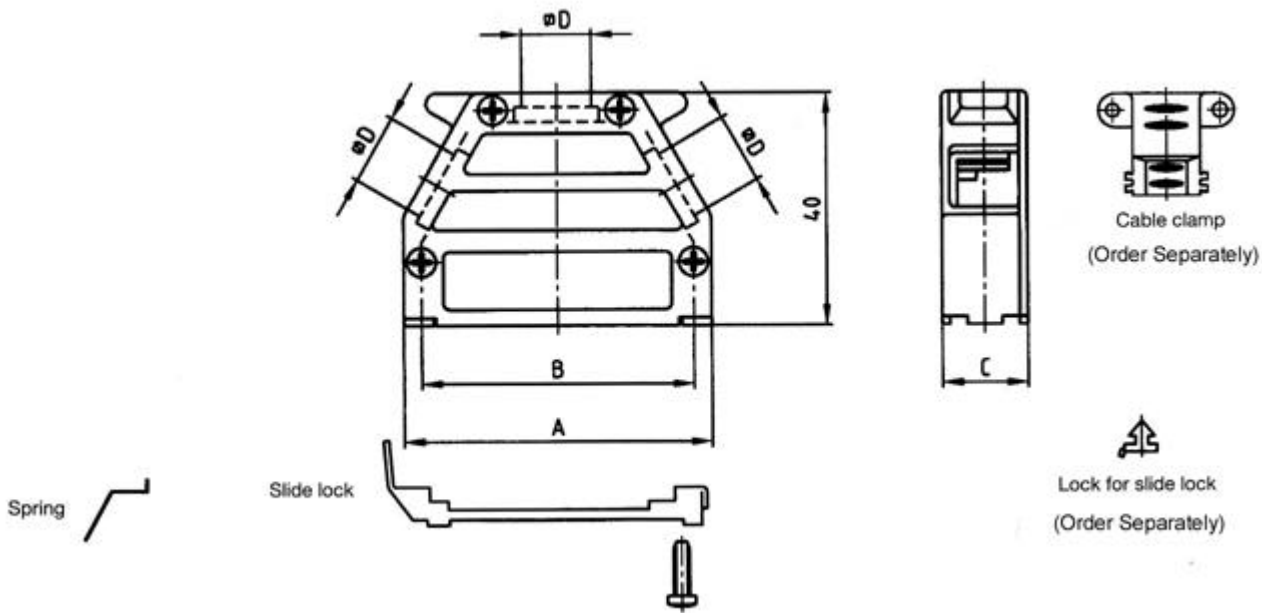


Metal hood
EMI/RFI shielding
with slide lock

(click on the schematic(s) for a more detailed view)



No. of pos.	A	B	C	ØD
9	32,0	25,0	14,8	12,1
15	39,3	33,3	14,8	12,1
25	53,2	47,0	14,8	12,1
37	69,5	63,5	14,8	12,1
50	67,0	61,1	17,8	14,6

The EMI/RFI metal hoods with slide-lock for 9-,15-,25-,37- and 50-way connectors have different entries and will thus also allow cables to be looped through them. Entries which are not in use are blanked off with slide-in blanking plugs. 9-way hoods have two side cable entries and 15-,25-,37-, and 50-way hoods have one straight and two side cable entries.

Technical Data: Hood: die-cast zinc

Delivery includes:

Hood with covers, 1 or 2 blanking plugs, 3 or 4 screws for fixing 1 earth screw, shouldered screws to retain connector, 1 slide lock, 1 spring

No. of Pos.	Hood	Cable clamp
9	165 X 11659 X	160 X 11189 X
15	165 X 11669 X	160 X 11189 X
25	165 X 11679 X	160 X 11189 X
37	165 X 11689 X	160 X 11189 X
50	165 X 11699 X	160 X 11199 X

No. of Pos.	Lock for slide lock
9	165 X 10119 X
15	165 X 10119 X
25	165 X 10119 X
37	165 X 10119 X
50	165 X 10129 X

[Back](#)