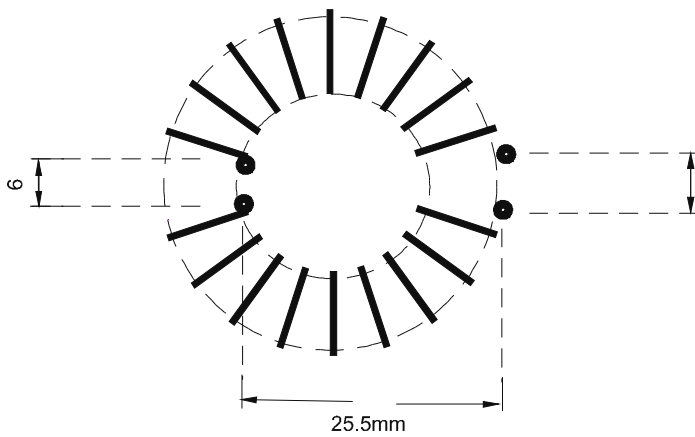
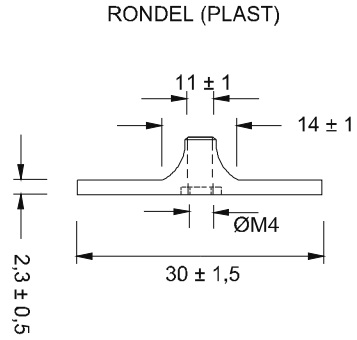
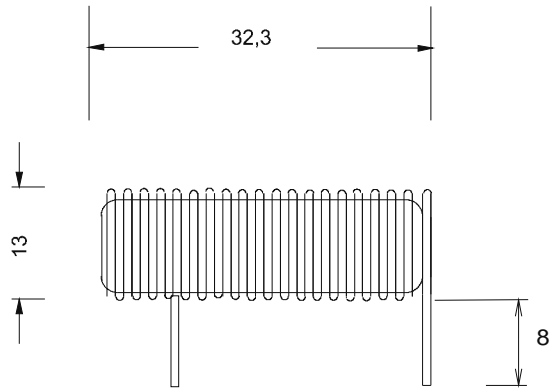


DANTRAFO A/S



$\pm 1.5\text{mm}$

PRIMARY:	APPROVALS/STANDARDS:
----------	----------------------

SECONDARY:	HT-TEST:
------------	----------

EDITION	MODIFICATION	DATE	NAME	TRANSFORMER SPECIFICATION		
A	DIMEN.: max.44mm VAR 42mm, max.11mm VAR 9mm	151206	EHC	TRANSFORMER TYPE: T31/19/8	DT NUMBER: prototypespøler	SPECIFICATION NUMBER: S prototypespøler
				ENGINEER: 200207/EHC	APPROVED:	MEASURES: mm