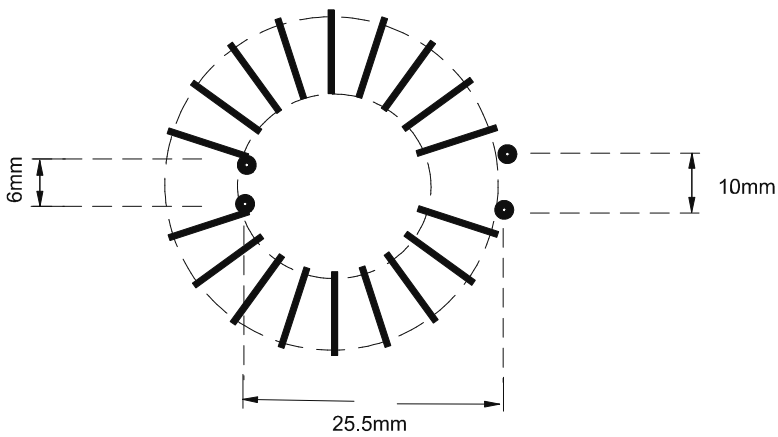
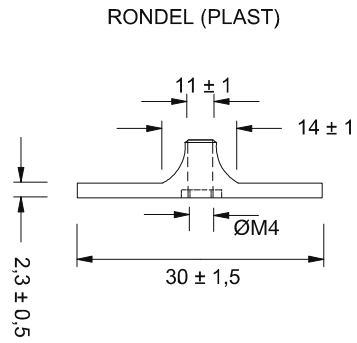
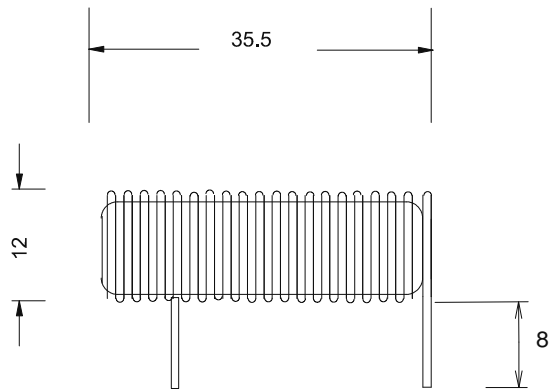


DANTRAFO A/S



$\pm 1.0\text{mm}$

PRIMARY:

APPROVALS/STANDARDS:

SECONDARY:

HT-TEST:

EDITION	MODIFICATION	DATE	NAME	TRANSFORMER SPECIFICATION		
A	DIMEN. 35.5mm WAS 32.3mm DIMEN. 12mm WAS 13mm	171007	EHC	TRANSFORMER TYPE: T31/19/8	DT NUMBER: DT 16845-13	SPECIFICATION NUMBER: S16845-13
				ENGINEER: 200207/EHC	APPROVED:	MEASURES: mm