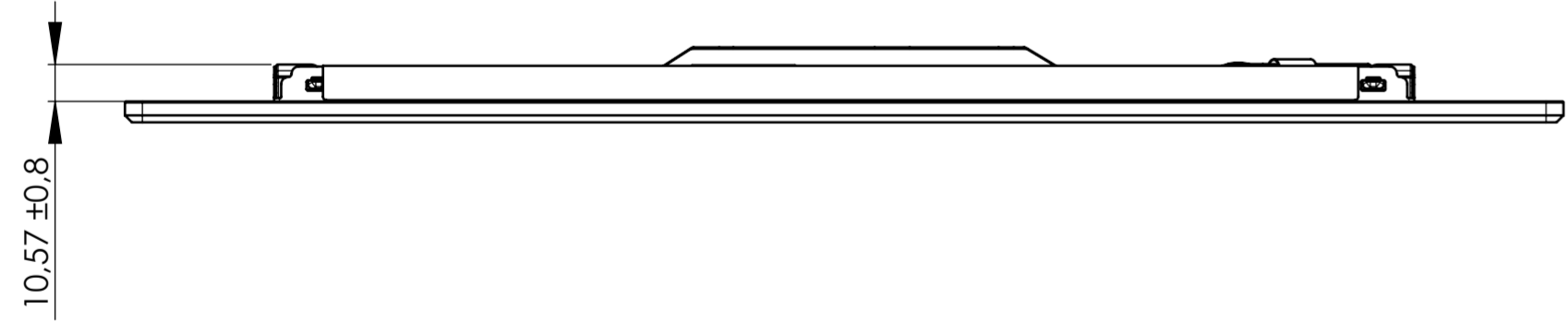
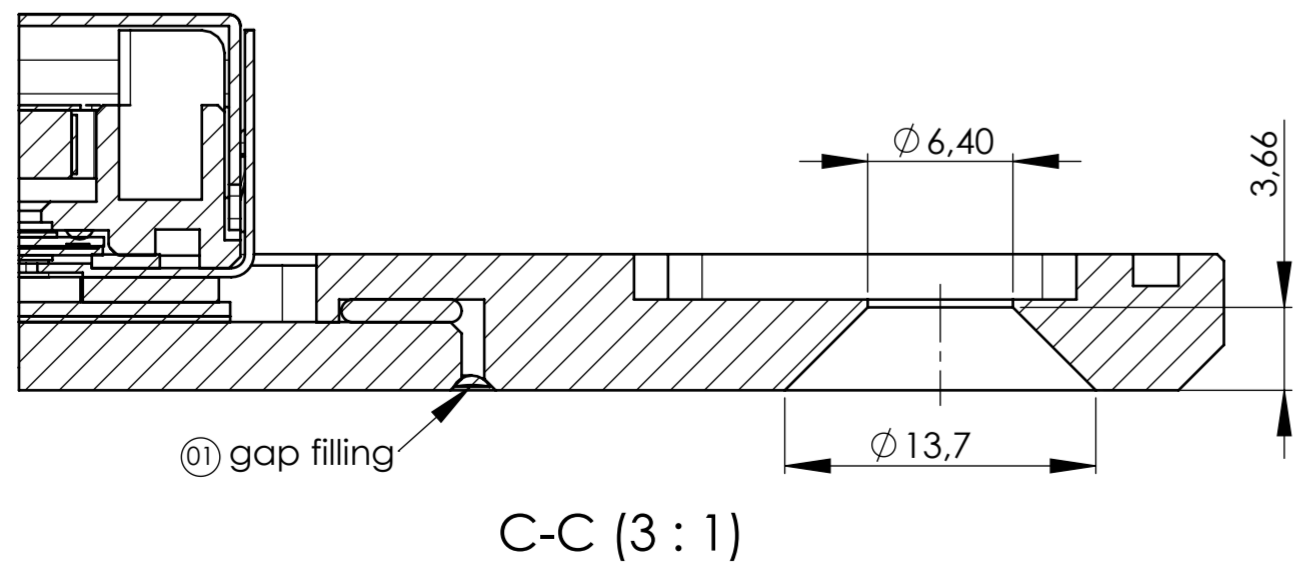


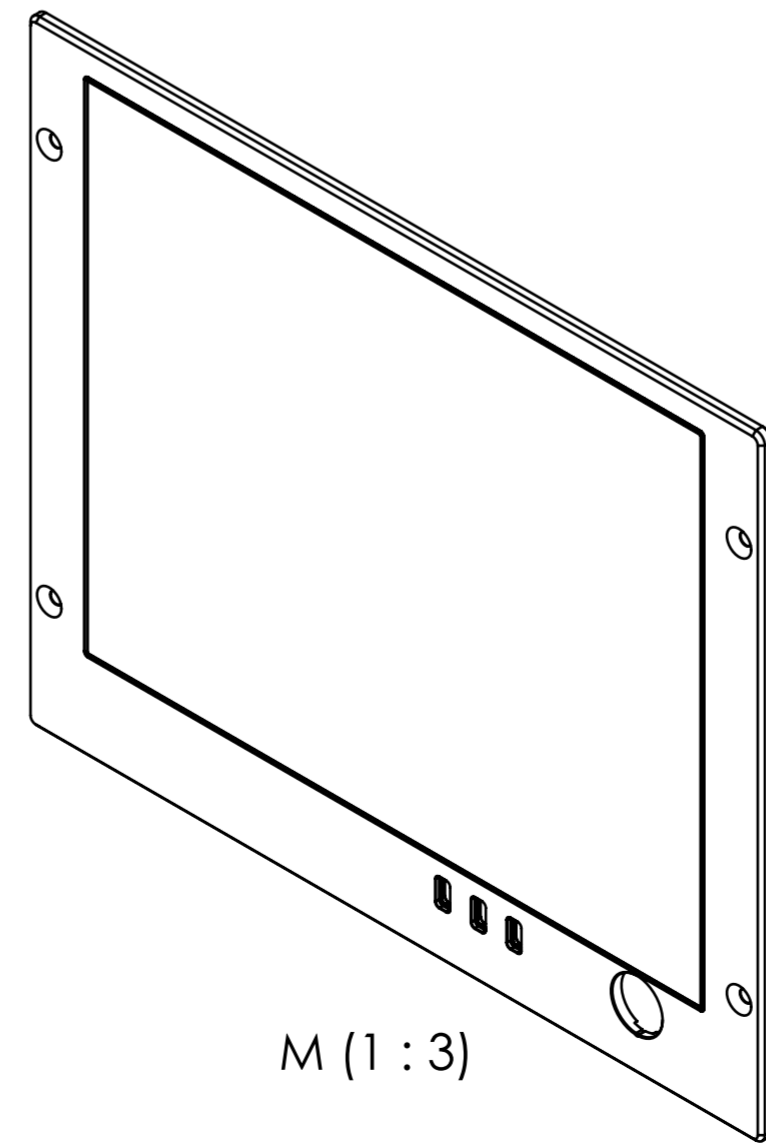
Crosshatched area must not be painted ①



10,57 ±0,8



C-C (3 : 1)



M (1 : 3)

for approval

Weight: 2,7kg ± 10%
Surface and lamination defects according DataModul Spec. 12005965.
Tolerances of individual parts, see single part drawings / spec.

REV.	NO. OF CHANGES	REL. DATE	DRAWN BY	E.C.-NO.	MODIFICATION/DESCRIPTION
001	2	08.03.2019	andreasl	431887	added gap filling, changed surface treatment
000		04.09.2018	alexandere	430771	Neuanlage

FINISH	DATA MODUL D-80687 München D-97990 Weikersheim	RELEASED: PROJECT: DMO0720C
MATERIAL	DRAWING TITLE Outline Drawing 6015 easy systems	TOLERANCES DIN ISO 2768-mK SURFACES DIN ISO 1302 DRAWING/PART NUMBER 12035994 001
FILE NUMBER:	12035994	SCALE 1:2 SIZE ISO A2

NOT TO BE DISCLOSED TO THIRD PARTY WITHOUT PERMISSION DATA MODUL AG