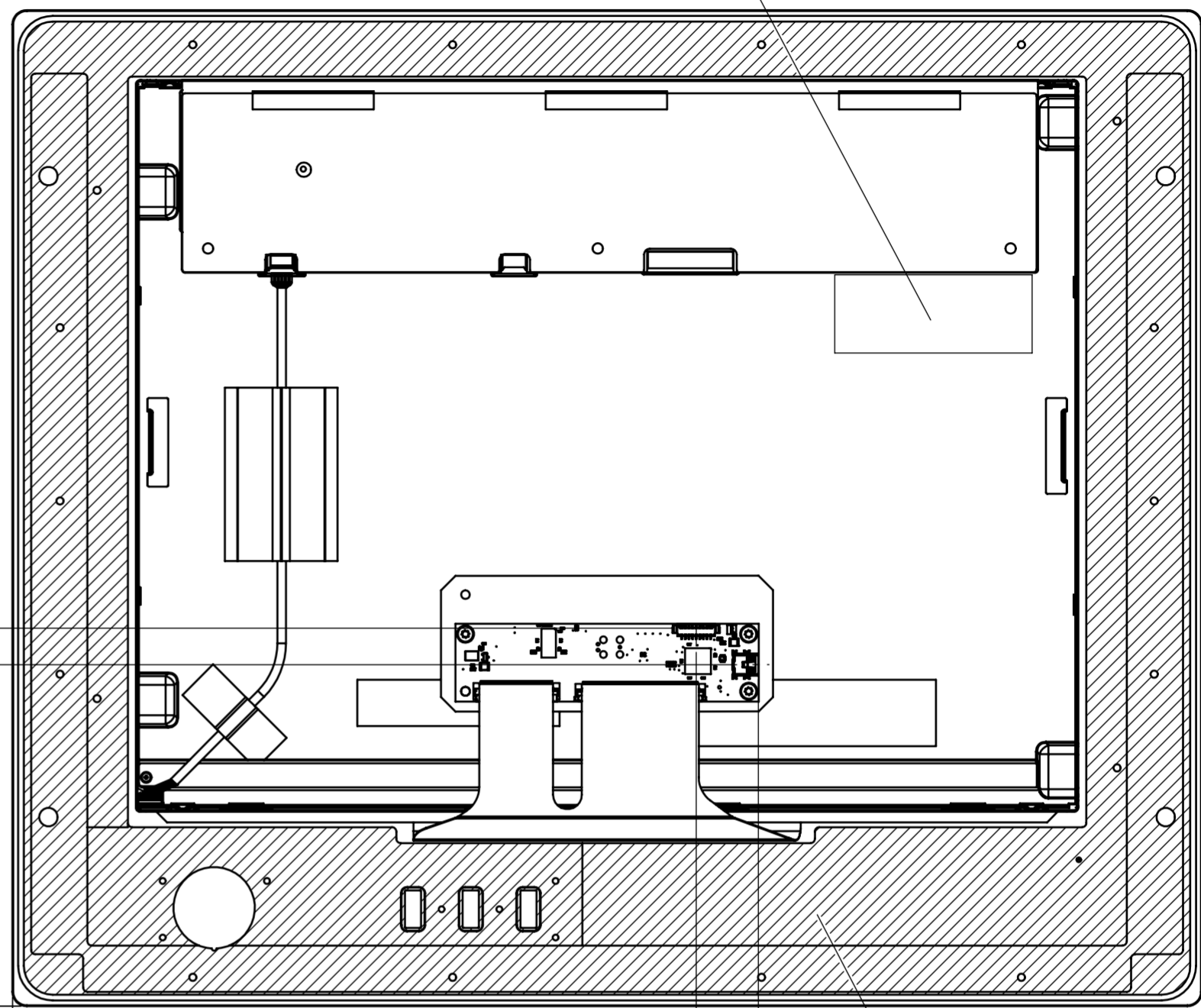
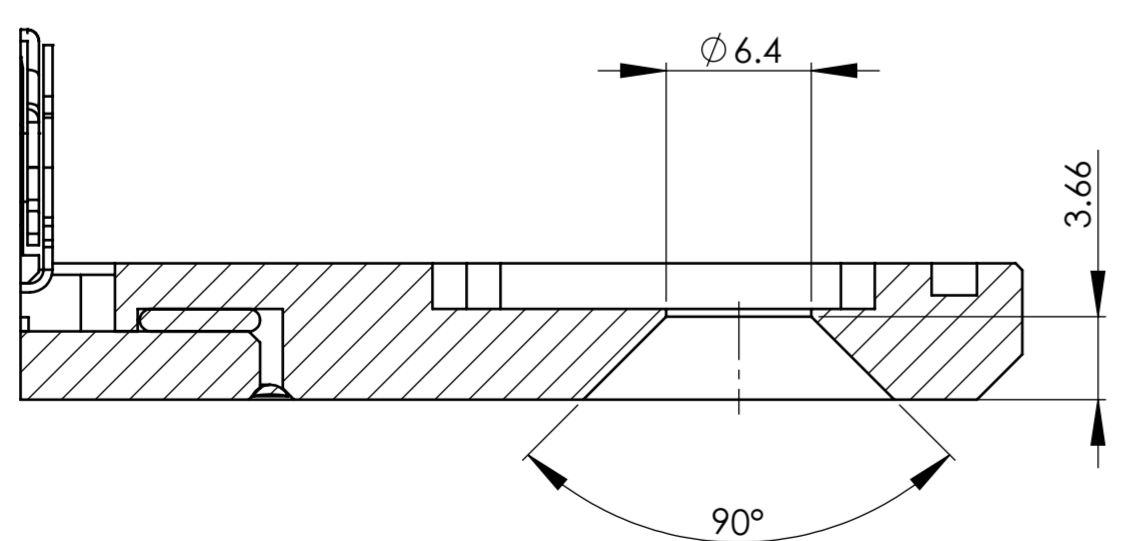


RAL 9010 White
 (001)

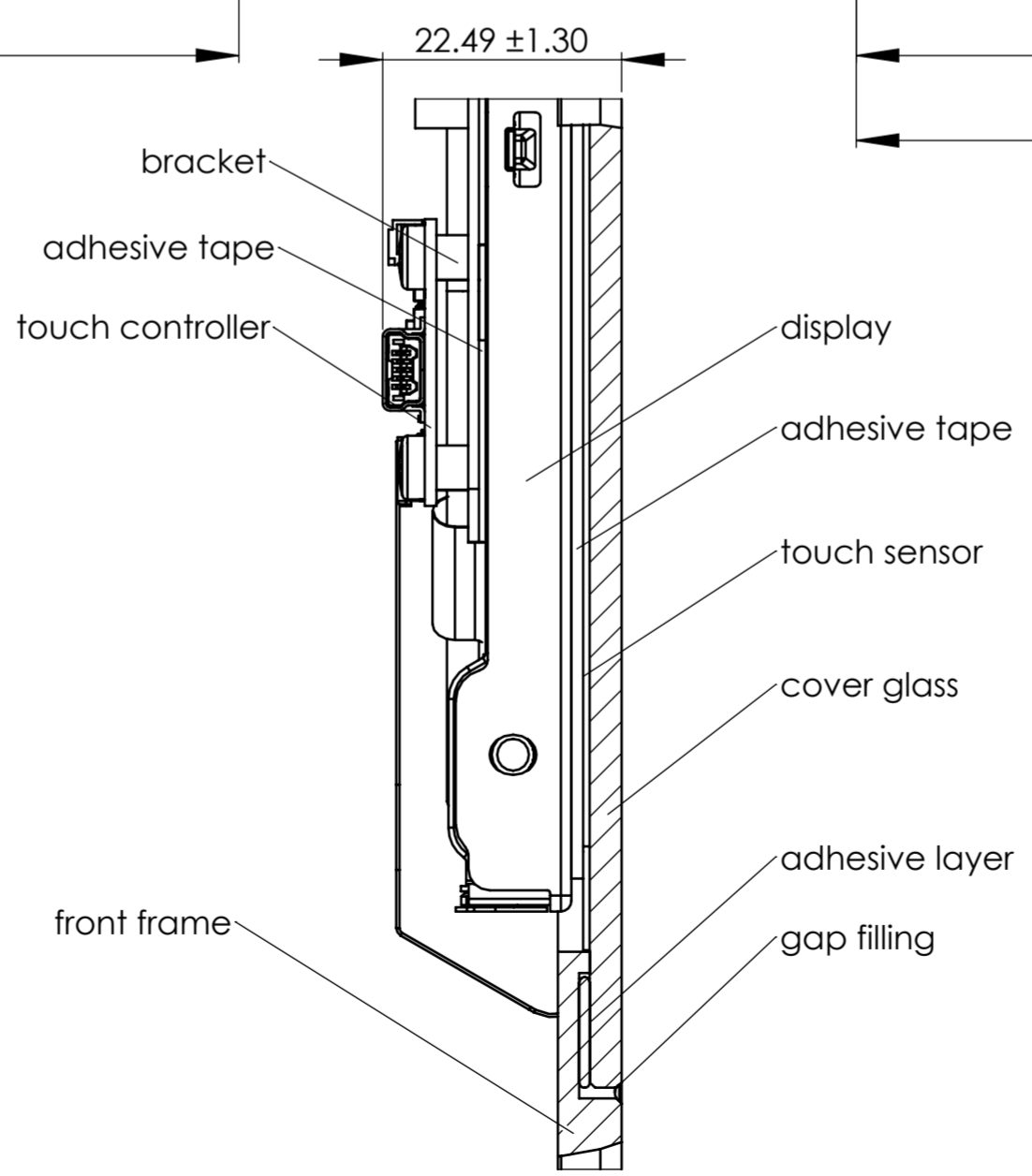
R5 / 4x
 16.31 ± 0.90



crosshatched area must not be painted



B-B (3 : 1) / 4x



A (3 : 2)

(001) Valid for P/N 12078741 (15" with new logo)

OD: Outline Dimension
 AA: Active Area
 VA: Viewing Area
 Weight: 2.7 kg ± 10%
 Tolerances of individual parts, see single part drawings / spec.
 Optical defects acc. Data Modul outgoing Spec: 12005965.
 The display unit must not be exposed to temperature shocks, direct sunlight, moisture or chemical influences. In particular, contact with solvents, cleaning agents, oils, fats, acids, alkalis and salts must be avoided. Shock loads over 3g can damage the display unit.

for approval

001	2	17.09.2025	AdamW	445346	Comments added.
000		24.06.2025	AdamW	444507	First draft
REV.	NO. OF CHANGES	REL. DATE	DRAWN BY	E.C.-NO.	MODIFICATION/DESCRIPTION
FINISH					
			DATA MODUL		RELEASED: No
			D-80687 München D-97990 Weikersheim		PROJECT: DMO21604C
MATERIAL			DRAWING TITLE		TOLERANCES DIN ISO 2768-mK
			Outline drawing		SURFACES DIN ISO 1302
			6015 Easy Systems		DRAWING/PART NUMBER
					12078793 001
FILE NUMBER:			12078793		SCALE 1:2 SIZE ISO A2

NOT TO BE DISCLOSED TO THIRD PARTY WITHOUT PERMISSION DATA MODUL AG