



## 591 SERIES PRISM® Surface Mount LED 3mm Round Lens

### APPLICATIONS

Data center infrastructure  
Telecommunication  
Electronic test and measurement instruments  
Automation  
Medical  
Wireless infrastructure

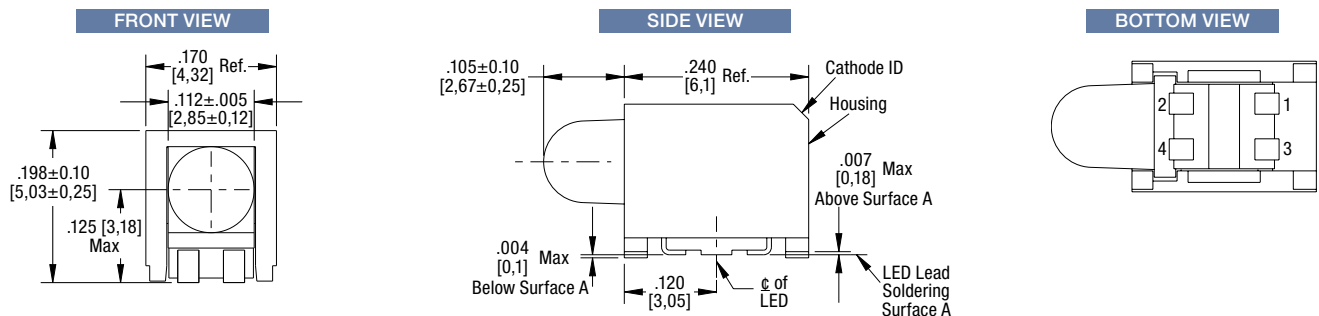
### CERTIFICATIONS & RATINGS

RoHS compliant

### FEATURES & BENEFITS

- SMT LED Technology designed to survive 260°C peak reflow temperature
- Eliminates wave soldering process
- Black, low profile PPA housing enhances the contrast ratio for better clarity
- Compatible with automatic pick-and-place equipment for reduced installation costs
- Ideal for limited space applications and board edge mounting

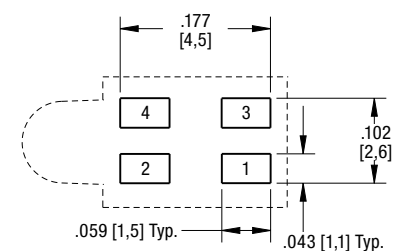
### DIMENSIONS inches [mm]



### MULTI-COLOR LED PIN REFERENCE

Code	LED Color	Pin 1	Pin 2	Pin 3	Pin 4
30	Red / Green	Red Cathode	Red Anode	Green Anode	Green Cathode
31	Yellow / Green	Yellow Cathode	Yellow Anode	Green Anode	Green Cathode
32	Red / Yellow	Red Cathode	Red Anode	Yellow Anode	Yellow Cathode
37	Red / Green / Blue	Red Cathode	Common Anode	Green Cathode	Blue Cathode
42	Red / Green / Blue	Red Cathode	Common Anode	Green Cathode	Blue Cathode

### RECOMMENDED PAD LAYOUT



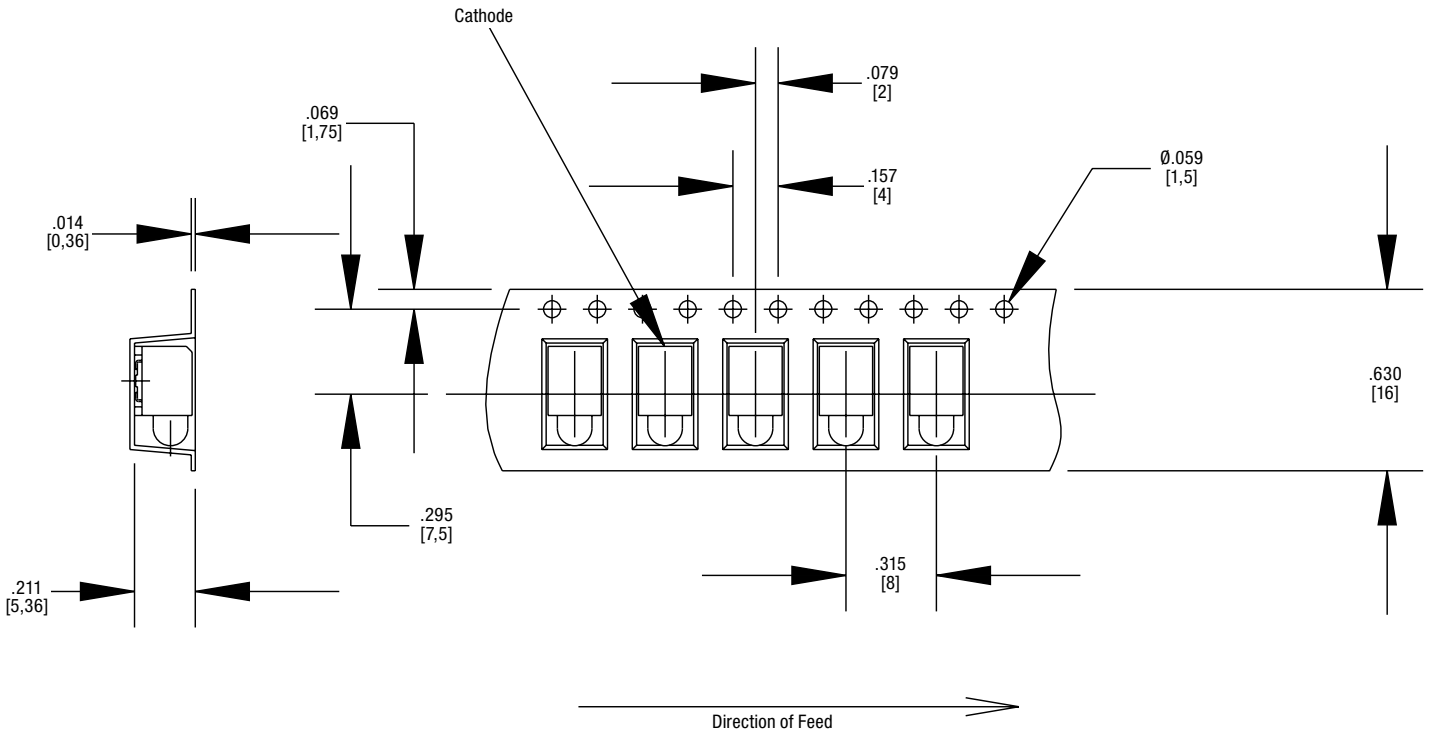
OPERATING CHARACTERISTICS AT 25°C AMBIENT

7" Reel	13" Reel	LED Color	Luminous Intensity (mcd)	Forward Voltage (V)		Dominant Wavelength (nm)	Reverse Current (µA)	MSL Rating	Viewing Angle
			Typ.	Min.	Max.	Typ.	Max.		
<b>IF=2mA</b>									
<a href="#">591-3001-007F</a>	<a href="#">591-3001-013F</a>	Red	15	1.7	2.2	630	10	2	40
		Green	9			570			
<a href="#">591-3101-007F</a>	<a href="#">591-3101-013F</a>	Yellow	20	1.7	2.2	587	10	2	40
		Green	9			570			
<b>IF=20mA</b>									
<a href="#">591-3201-007F</a>	<a href="#">591-3201-013F</a>	Red	21	1.8	2.3	633	10	2	40
		Yellow	30	1.9	2.4	587			
<a href="#">591-3703-007F</a>	<a href="#">591-3703-013F</a>	Red	200	1.8	2.4	620	10	5a	40
		Green	850	2.8	3.6	523			
		Blue	125	2.8	3.6	470			
<a href="#">591-4203-007NF</a>	<a href="#">591-4203-013NF</a>	Red	85	1.5	2.4	630	10	3	40
		Green	750	2.8	3.6	525	50		
		Blue	100	2.8	3.6	470	50		

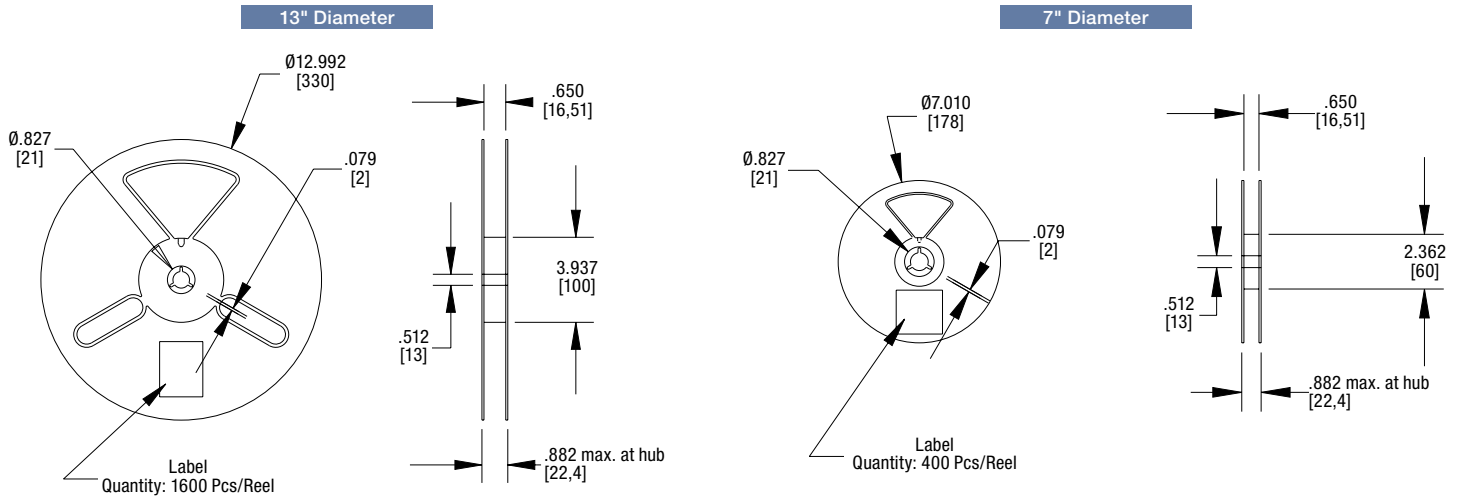
ABSOLUTE MAXIMUM RATINGS AT 25°C AMBIENT

	Code 30		Code 31		Code 32		Code 37			Code 42			Units
	Red	Green	Yellow	Green	Red	Yellow	Red	Green	Blue	Red	Green	Blue	
Continuous Forward Current	15		15		30		30			50	30	30	mA
Reverse Voltage	12		12		12		5			5			V
Peak Forward Current	100		100		200		100			130	100	100	mA
Power Dissipation							75	108	108	120	108	108	mW
Operating Temperature Range	-40 to +100						-40 to +85						°C
Storage Temperature Range	-40 to +100						-40 to +100						°C

TAPE AND REEL SPECIFICATIONS

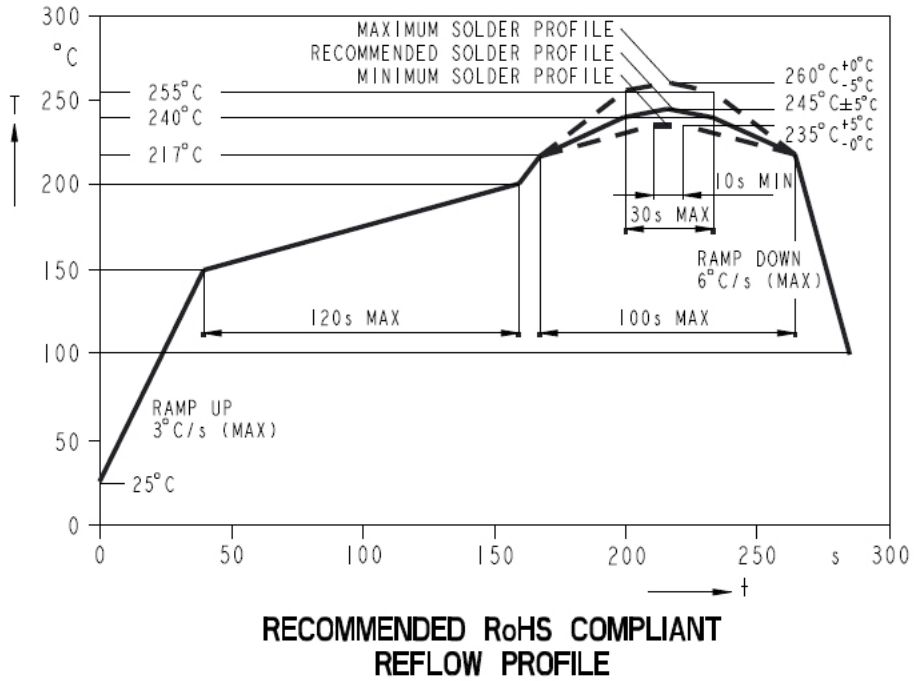


Tolerance: .004 unless otherwise specified. Millimeter dimensions shown for reference only.



REFLOW SOLDERING PROFILE:

Note: Reflow soldering should not be done more than two times.



Dialight reserves the right to make changes at any time in order to supply the best product possible. The most current version of this document will always be available at: [www.dialightsignalsandcomponents.com](http://www.dialightsignalsandcomponents.com)

**Warranty Statement:** Except for the warranty expressly provided for at: [www.dialight.com/resources/warranties/](http://www.dialight.com/resources/warranties/), Dialight disclaims any and all other warranties, express or implied, including, without limitation, any warranties of merchantability, fitness for a particular purpose, title, and noninfringement.