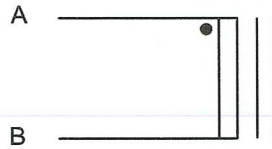
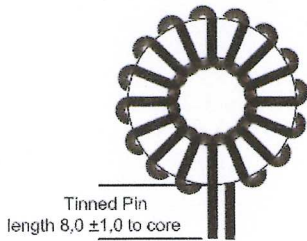


Specification for 12300137-* Choke 38 μ H 5A DK-13410-B

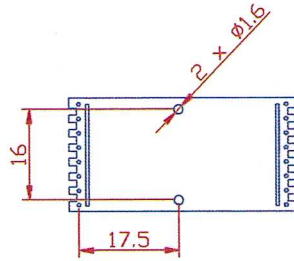
Schematic :



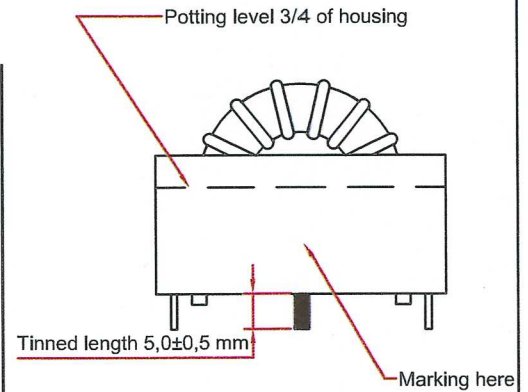
Mechanical drawing :



Front view



Bottom view



Side view

Winding specification : A - B : 16 turns \varnothing 1,60 mm.

Routine test : L (A-B) : 35.6 < L < 41.8 uH at 100KHz / 100 mV.

Material specification :
 Core : Toroid core 55930-A2, Magnetics
 Cu-wire : Polyesterimide with Polyamideimide overcoat 200°C, grade 2 acc. to IEC 60317.
 Potting compound : Epoxy casting compound CW2243-2L / HY842, Huntsman.
 Housing : RH37-18, Polyamide 66, PA66 30% GF black color. Pins, 16 pcs: SQ 0,88x0,60 mm, Norwe.

Marking : FT part number, DK-13410-B / Week/Year.

| | | | | | | |
|--|------------|--------------|--|--|-------|---|
| No.: | Revision: | Date/Init.: |  FLUX INTERNATIONAL LTD., BLK C5 41/27 Bangna-Trad KM.16.5 Bangchalong, Bangplee, Samutprakarn 10540, Thailand. Tel: +662-337-0201 Fax: +662-337-0187 www.flux-int.com | Scale: | Size: | Projection: |
| 1 | 00/Initial | 22-Mar-11/DS | | Tolerances : - | |  |
| 2 | 01/Update | 28-Mar-11/DS | | Unless otherwise specified | | |
| Constructor : Dumrongrit S. Approved : Suphachai S. | | | Title: Specification for 12300137-* Choke 38 μ H 5A DK-13410-B | Material : - File name : 04910735-1.dwg Documentno.: 04910735-1 | | |