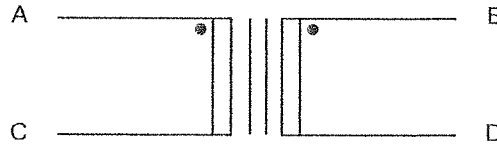
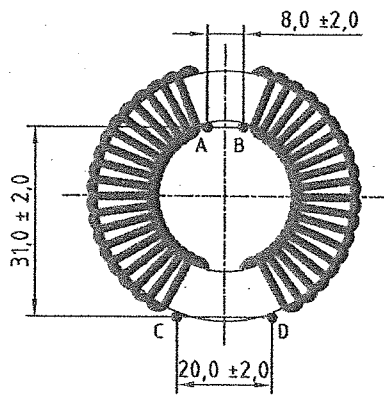


# Specification for 12401020-1 CM Choke 1ph 1,62mH DK-13418-B

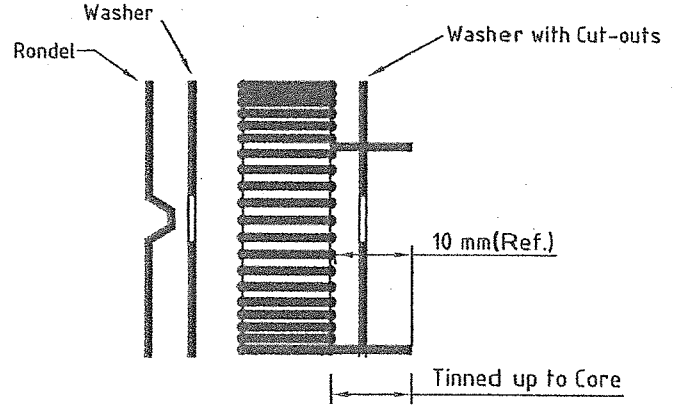
Schematic :



Mechanical drawing :



Bottom view



Side view

Winding specification :  
 A - C : 18 turns    Ø1,60 mm.  
 B - D : 18 turns    Ø1,60 mm.

Routine test :                    L (A-B) : 1,2 < L < 2,0 mH at 10KHz / 1V.

Material specification :  
 Core : Toroid Core B64290-L0022-X830, Epcos  
 Cu-wire : Polyesterimide with Polyamideimide overcoat 200°C, grade 2 acc. to IEC 60317  
 Rondel : Metal, Ø35mm, Surface treated  
 Washer : Rubber Ø50mm, White (2 pcs)

Marking :                                None

No.:	Revision:	Date/Init.:	Scale:	Size:	Projection:
1	00/Initial	28-Mar-11/DS			
2	01/Update	29-Mar-11/DS			
3	02/Update	28-Apr-11/DS			
4	03/Update	26-Sep-11/DS			
 FLUX INTERNATIONAL LTD., BLK C5 41/27 Bangna-Trad KM.16.5 Bangchalong, Bangplee, Samutprakarn 10540, Thailand. Tel: +662-337-0201 Fax: +662-337-0187 www.flux-int.com			Tolerances : - Unless otherwise specified Material : - File name : 04910734-1.dwg Documentno.: 04910734-1		
Constructor : Dumrongrit S. Approved : Suphachai S.			Title: Specification for 12401020-1 CM Choke 1ph 1,62mH DK-13418-B		