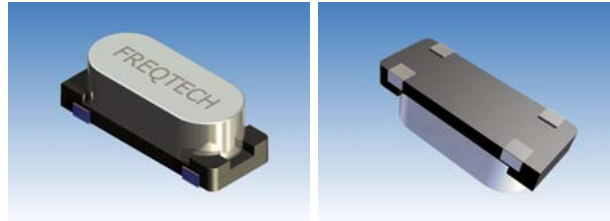


FT16A

Package: ceramic base with metal cover
rohs compliant

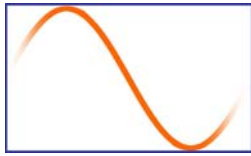


Electrical specifications

Parameter	Condition	Availability	Standard
Frequency range		8,0 ~ 66,0 MHz	
Frequency stability	@ +25°C	+/- 10 ~ +/- 50 ppm	+/- 30 ppm
Temperature tolerance	@ -20°C ~ +70°C @ -40°C ~ +85°C	+/- 10 ~ +/- 50 ppm +/- 30 ~ +/- 100 ppm	+/- 30 ~ +/- 50 ppm
Operating temperature range		-40 ~ +85 °C	-20 ~ +70 °C
Storage temperature range			-40 ~ +85 °C
Shunt capacitance			7pF
Load capacitance	Customer specified	10 ~ series	16pF
Drive level		500µW max.	100µW
Aging	@ +25°C, per year	-5,0 ~ +5,0ppm	

Equivalent series resistance + mode of vibration

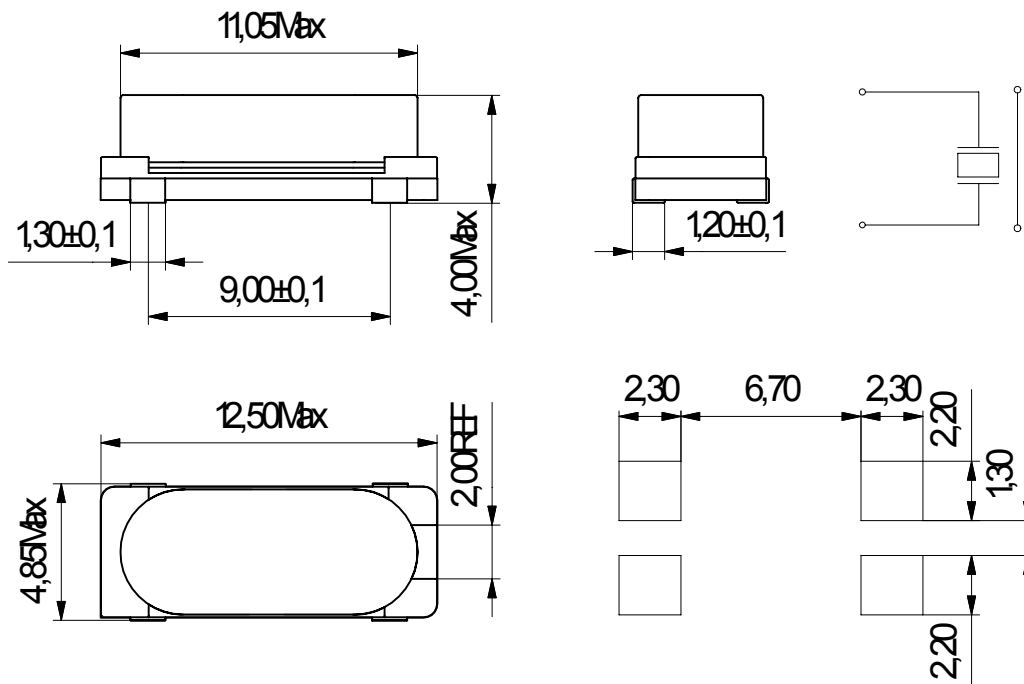
Frequency range (MHz)	Max. ESR (Ω)	Mode	Frequency range (MHz)	Max. ESR (Ω)	Mode
8,0 – 8,999	80	Fundamental	13,0 – 29,999	40	Fundamental
9,0 – 9,999	60	Fundamental	30,0 – 66,0	80	3rd overtone
10,0 – 12,999	50	Fundamental			



FT16A

Package: ceramic base with metal cover
rohs compliant

Mechanical dimensions (mm)



Ordering key

Type	- frequency	/ load capacitance	- frequency stability	- temperature tolerance	/ operating teperature
FT16A	value in MHz	value in pF	value in ppm	value in ppm	27 = $-20^{\circ}\text{C} \sim +70^{\circ}\text{C}$
		s for series			48 = $-40^{\circ}\text{C} \sim +85^{\circ}\text{C}$

Ordering key example:

FT16A-16,0/16-30-30/27