

BB02-YF

CUSTOMER PRODUCT SPECIFICATION SHEET

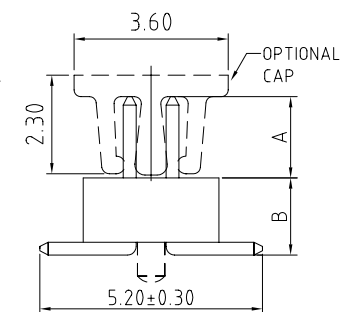
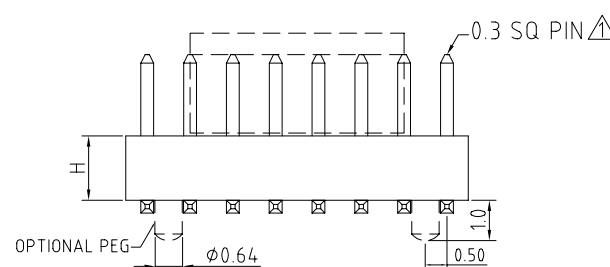
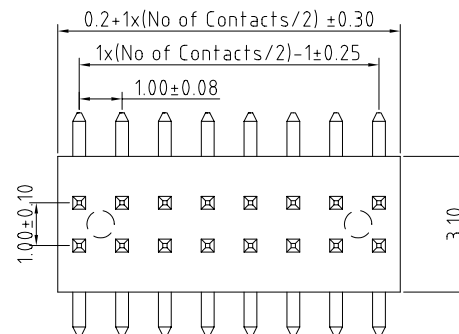


BB02-YF:- 1.00mm x 1.00mm (0.039" x 0.039") PIN HEADER, DUAL ROW, STRAIGHT, SMT TYPE, 04 TO 80 CONTACTS

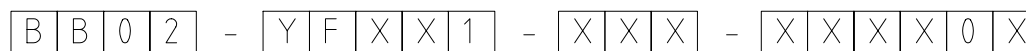
SPECIFICATIONS

CURRENT RATING: 1AMP
 INSULATOR RESISTANCE: 500 MEGOHMS MIN.
 DIELECTRIC WITHSTANDING: AC 300 V
 CONTACT RESISTANCE: 20m OHMS MAX.
 OPERATING TEMPERATURE: -40°C TO +105°C
 CONTACT MATERIAL: BRASS
 INSULATOR MATERIAL: POLYESTER UL 94V-0
 STANDARD:LCP
 PLATING: GOLD OR TIN OVER 30-50U" NICKEL
 SOLDERABILITY IR REFLOW: 280°C FOR 10 SEC
 WAVE: 250°C FOR 5-10 SEC
 MANNUAL SOLDER: 380°C FOR 3-5 SEC

MATES WITH: - BB02-WA



HOW TO ORDER



NO. OF CONTACTS
 04 to 80
 (MIN. PIN# 06 FOR
 W/PEG VERSION.)

CONTACT PLATING OPTIONS
 K = GOLD FLASH (STANDARD)
 P = 10U" GOLD OVERALL
 Q = 15U" GOLD OVERALL
 R = 30U" GOLD OVERALL
 T = BRIGHT TIN
 M = MATT TIN

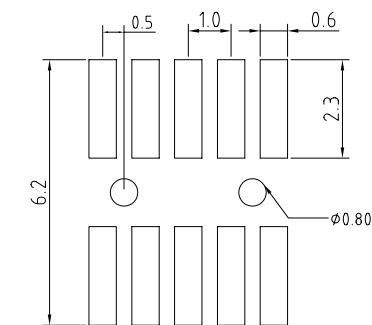
PACKAGING OPTIONS
 3 - TUBE
 5 - TUBE & CAP
 6 - TAPE & REEL
 8 - TAPE & REEL & CAP

PIN LENGTH A (1/10mm)
 PLEASE SPECIFY PIN
 LENGTH REQUIRED
 I.E. 2.5mm = 25
 TOL. ±0.25mm

INSULATOR HEIGHT 'H'
 0: H = 1.5mm
 1: H = 1.0mm
 STANDARD = 0

WITH/ WITHOUT
 LOCATING PEG
 A = WITH
 B = WITHOUT

PIN LENGTH B (1/10mm)
 PLEASE SPECIFY PIN
 LENGTH REQUIRED
 I.E. 2.5mm = 25
 TOL. ±0.25mm
 MIN. B = 1.9mm if H = 1.5mm
 MIN. B = 1.4mm if H = 1.0mm



RECOMMENDED PCB SMT LAYOUT

REV.	DATE & DRN
10	26/04/05-NYW- RELEASE
11	12/07/05-NYW- OPTION
12	08/08/06-CHC- AMEND PIN DIMENSION
13	12/02/06- NYW- DRAWING MODIFICATION
14	17/11/07- CHC- AMEND MIN. PIN#10 TO 04
15	09/04/08- NYW- AMEND INSULATOR OPTION
16	23/07/08- NYW- PLATING MODIFICATION
17	11/08/08- CHC- CHANGE PLATING OPTIONS.
18	26/11/08- CHC- ADD MIN. DIMENSION OF "B"
19	24/12/08- NYW- DRAWING MODIFICATION

Scale: 8:1	THIRD ANGLE	<table border="1"> <tr> <td>Unstated</td> <td>Tolerances:</td> </tr> <tr> <td>X</td> <td>± 0.30</td> </tr> <tr> <td>X</td> <td>± 0.25</td> </tr> <tr> <td>XX</td> <td>± 0.15</td> </tr> <tr> <td>XXX</td> <td>± 0.10</td> </tr> </table>	Unstated	Tolerances:	X	± 0.30	X	± 0.25	XX	± 0.15	XXX	± 0.10
Unstated	Tolerances:											
X	± 0.30											
X	± 0.25											
XX	± 0.15											
XXX	± 0.10											
Drawn: CHC												
App'd: XXX	Title: PIN HEADER	Material: SEE NOTE										
Date: 24 DEC '08	Revision: 1.9	NOT TO SCALE										
		Unit: mm										

www.gradconn.com

THIS DRAWING IS CONFIDENTIAL AND MUST NOT BE COPIED OR DISCLOSED WITHOUT WRITTEN CONSENT

Type	BB02-YF
	BB02-YF
Drawing Number:	
Sheet	1 of 1
Drawing	E and O E