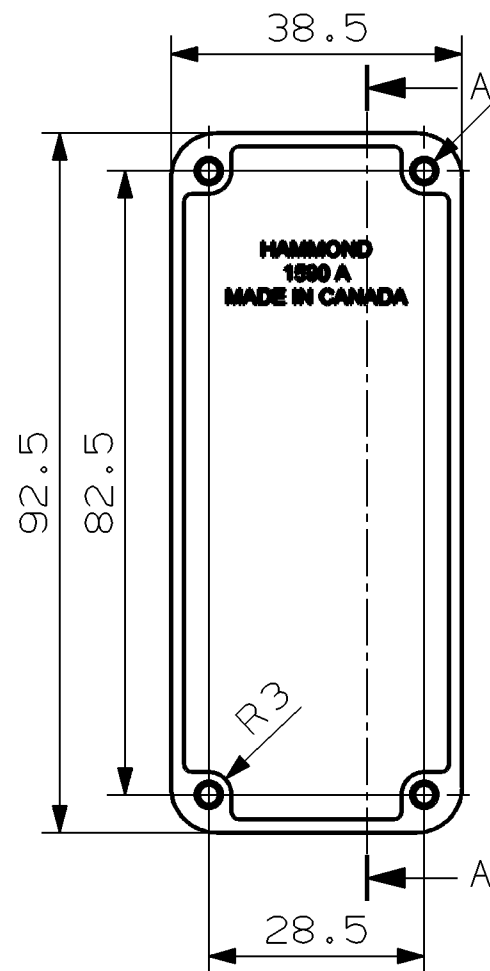
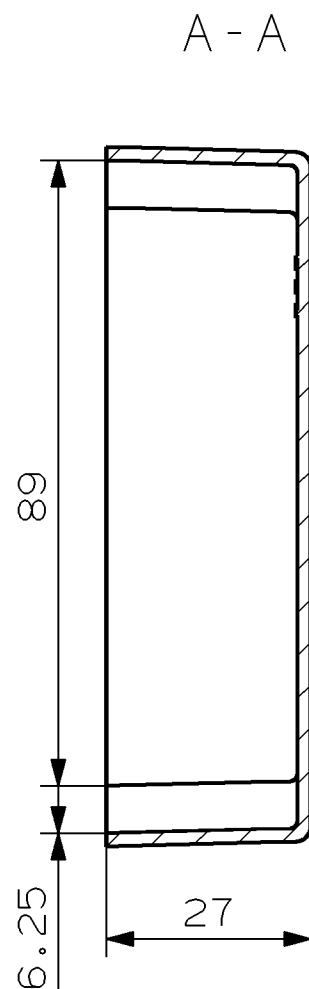
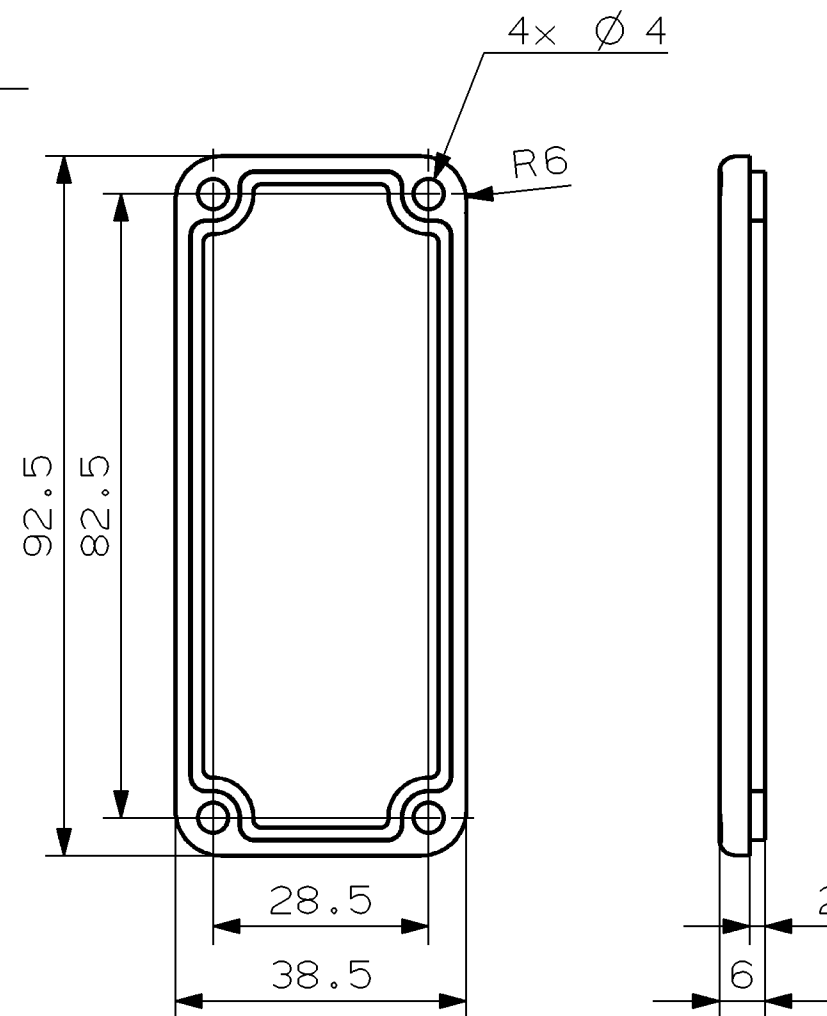


View of box (Lid removed)



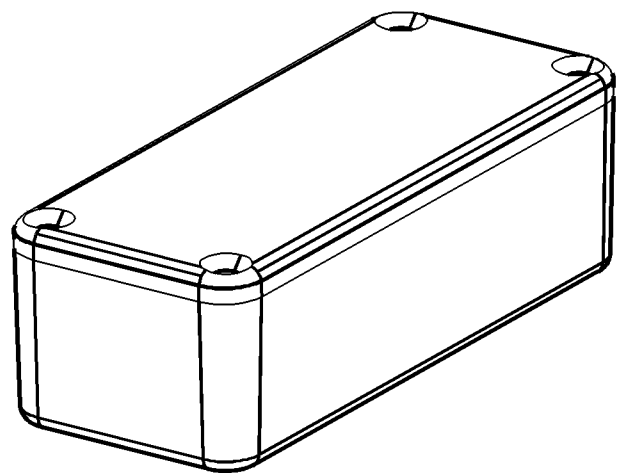
View inside lid



- 126 Make or similar: Hammond manufacturing  
<http://www.hammondmfg.com/>
- 455 Type: diecast aluminum alloy, electronic instrument enclosure  
p/n: 1590A

notes

4 x 6-32 x 1/2" countersunk screws included



Date	Des.	Chk.	A.C.	Revision change	Chg. Not.	Rev.
						03
						02
						01
						00
20111208 JE0EJYS						
Basic Standards (IMB SB):			Suppl. Drawing No.:			
- EN21F-m Tolerances			- EN21C Surf. roughness			
Material / Blank:			Final User Material:			Mass (kg):
*						0.079
Scale:	Size:	Product Type:			Projection:	Page No.:
1:1	A3	DAU-11			⊕	01 (01)
Info. No.:		Item Name:			Item Id.:	
593723		ENCLOSURE			1882594-4	
Final User Info. No.:				Final User Description:		Final User Ident. No.:

Copyright © 2011 MAN Diesel & Turbo, branch of MAN Diesel & Turbo SE, Germany registered with the Danish Commerce and Companies Agency under CVR-no. 31611792 (referred to as "MAN Diesel & Turbo"). This drawing is the property of MAN Diesel & Turbo and is to be treated as confidential by the party to whom it has been submitted by MAN Diesel & Turbo, and may not be disclosed to prior written permission of MAN Diesel & Turbo.



CAD Drawing - do not correct by hand - NX Drawing