

Customer Information Sheet

DRAWING No.: H3153-XX

SHEET 2 OF 2

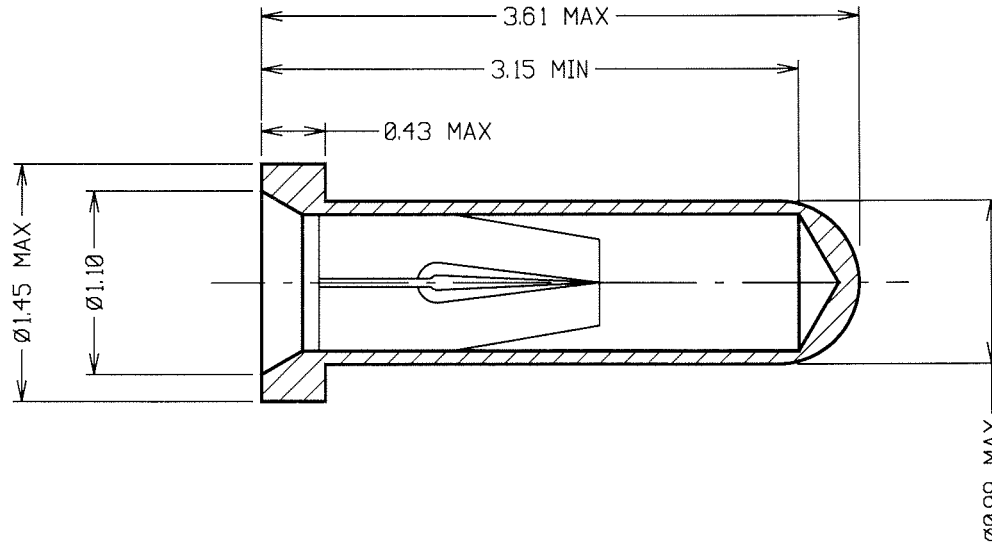
IF IN DOUBT - ASK

©

NOT TO SCALE

THIRD ANGLE PROJECTION

ALL DIMENSIONS IN mm



ORDER CODE:

H3153-XX

FINISH:

- 01 - GOLD CLIP, TIN SHELL
- 05 - GOLD CLIP, GOLD SHELL
- 46 - TIN CLIP, TIN SHELL

SPECIFICATION:

MATERIAL:

- CONTACT SHELL - BRASS
- CONTACT CLIP - BERYLLIUM COPPER

FINISH:

- 01 - 0.1µ GOLD CLIP, 4µ TIN SHELL
- 05 - 0.1µ GOLD CLIP, 0.13µ GOLD SHELL
- 46 - 1.3µ 100% TIN CLIP, 4µ TIN SHELL

ELECTRICAL:

- CURRENT RATING AT 25°C = 2A MAX
- CURRENT RATING AT 85°C = 1.75A MAX
- CONTACT RESISTANCE (INITIAL) = 15 MILLIOHMS MAX
- CONTACT RESISTANCE (AFTER CONDITIONING) = 25 MILLIOHMS MAX

MECHANICAL:

- INSERTION FORCE (INITIAL) = 6N MAX, 2N MIN (Ø0.5mm GAUGE)
- WITHDRAWAL FORCE (INITIAL) = 1.5N MIN, 0.5N MIN (Ø0.5mm GAUGE)
- DURABILITY - 01, 05 = 500 OPERATIONS
- 46 = 50 OPERATIONS

ENVIRONMENTAL:

- OPERATING TEMPERATURE = -55°C TO +125°C
- FOR COMPLETE SPECIFICATION, SEE COMPONENT SPECIFICATION C006XX (LATEST ISSUE).

NOTES:

1. FOR SOCKET WITH RTV SEALING, SEE HR3153-XX.
2. RECOMMENDED PIN LENGTH = 3.15-2.30mm.
3. RECOMMENDED MOUNTING HOLE SIZE = Ø1.10-1.00mm.
4. RECOMMENDED PIN SIZE = Ø0.51-0.46mm.

JMB	9	12.07.05	8627
NAME	ISS.	DATE	C/NOTE
APPROVED: <i>[Signature]</i>			
CHECKED: <i>[Signature]</i>			
DRAWN:		J CLAY	
CUSTOMER REF.:			
ASSEMBLY DRG.:			

HARWIN

HARWIN USA
 TEL: 603 893 5376
 FAX: 603 893 5396
 mis@harwin.com

HARWIN Europe (UK)
 TEL: 023 9231 4545
 FAX: 023 9231 4590
 mis@harwin.co.uk

HARWIN Asia
 TEL: +65 6 779 4909
 FAX: +65 6 779 3868
 mis@harwin.com.sg

THIS DRAWING AND ANY INFORMATION OR DESCRIPTIVE MATTER SET OUT HEREON ARE CONFIDENTIAL AND COPYRIGHT PROPERTY OF THE HARWIN GROUP AND MUST NOT BE DISCLOSED, LOANED, COPIED OR USED FOR MANUFACTURING, TENDERING OR FOR ANY OTHER PURPOSE WITHOUT THEIR WRITTEN PERMISSION.

TOLERANCES

- X. - ±1mm
- XX - ±0.25mm
- X.XX - ±0.10mm
- X.XXX - ±0.01mm
- ANGLES - ±5°

UNLESS STATED

MATERIAL:
SEE ABOVE

FINISH: SEE ABOVE

S/AREA: mm²

TITLE:
SUB-MINIATURE SOCKET ASSEMBLY

DRAWING NUMBER:
H3153-XX