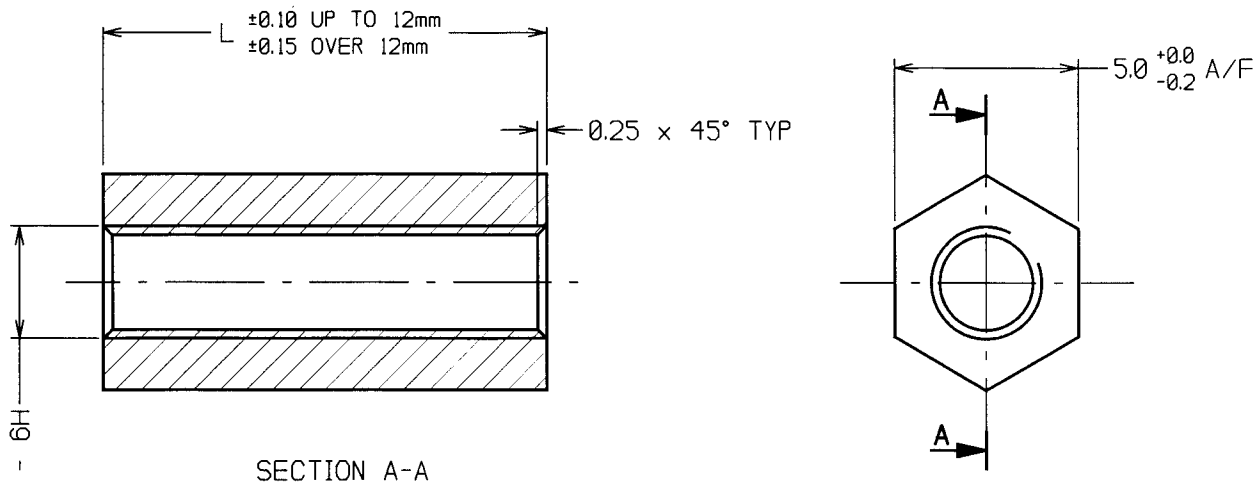


ORDER CODE:
R30-100XXXX
 LENGTH IN mm: _____
 FINISH:
 00 = SELF COLOUR
 02 = NICKEL (F0203)
 17 = PROTECTIVE DIP (F0701)



SECTION A-A

M 3 x 0.5 - 6H

PART No.	L	S/AREA	PART No.	L	S/AREA
R30-10004XX	4.00	149.7	R30-10017XX	17.00	532.2
R30-10005XX	5.00	179.2	R30-10018XX	18.00	561.7
R30-10006XX	6.00	208.6	R30-10020XX	20.00	620.5
R30-10007XX	7.00	238.0	R30-10021XX	21.00	649.9
R30-10008XX	8.00	267.5	R30-10022XX	22.00	679.3
R30-10009XX	9.00	296.9	R30-10024XX	24.00	708.8
R30-10010XX	10.00	326.3	R30-10025XX	25.00	767.6
R30-10011XX	11.00	355.7	R30-10028XX	28.00	855.9
R30-10012XX	12.00	385.1	R30-10030XX	30.00	914.7
R30-10013XX	13.00	414.6	R30-10032XX	32.00	979.3
R30-10014XX	14.00	444.0	R30-10034XX	34.00	1044.0
R30-10015XX	15.00	473.4			
R30-10016XX	16.00	502.8			

- NOTES:
 1. REMOVE ALL BURRS.
 2. THREAD TO BE MANUFACTURED IN ACCORDANCE WITH BS3643 PT.2 1981.

JAE	11	09.05.02	6632
AGL	10	02.02.98	4260
WJB	9	31.07.97	4011
	8	18.10.96	3565
	6	12.04.96	3253
	5	12.10.95	3075
	4	25.04.95	2907
	3	05.10.92	2105
	2	29.09.92	2098
	1	24.09.92	----

NAME	ISS.	DATE	C/NOTE
APPROVED: <i>[Signature]</i>			
CHECKED: <i>[Signature]</i>			
DRAWN: A LIOTTA			
CUSTOMER REF.:			
ASSEMBLY DRG:			



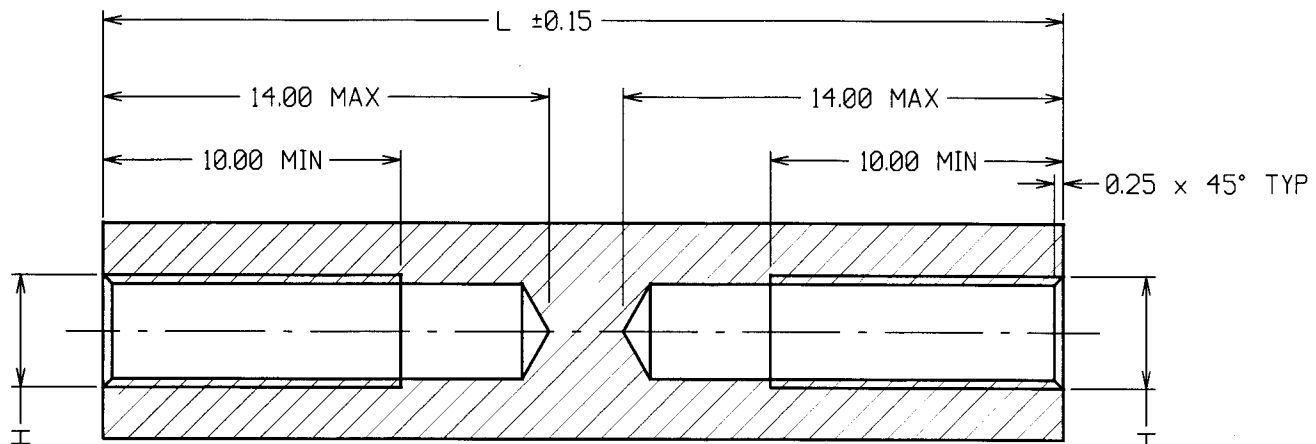
HARWIN INC U.S.A. TEL: (812) 285 0055 FAX: (812) 285 0056	HARWIN PLC U.K. TEL: 023 9237 0451 FAX: 023 9231 4590	HARWIN PTE SINGAPORE TEL: 65 7794909 FAX: 65 7793868
--	--	---

THIS DRAWING AND ANY INFORMATION OR DESCRIPTIVE MATTER SET OUT HEREON ARE CONFIDENTIAL AND COPYRIGHT PROPERTY OF THE HARWIN GROUP AND MUST NOT BE DISCLOSED, LOANED, COPIED OR USED FOR MANUFACTURING, TENDERING OR FOR ANY OTHER PURPOSE WITHOUT THEIR WRITTEN PERMISSION.

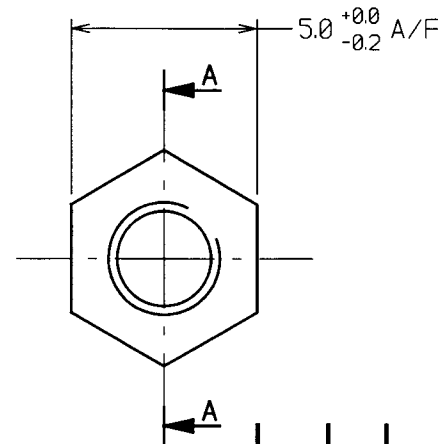
TOLERANCES
 X. - ±1mm
 X.X - ±0.25mm
 X.XX - ±0.10mm
 X.XXX - ±0.01mm
 ANGLES - ±5°
 UNLESS STATED

MATERIAL:
 BRASS CZ121 TO BS2874 (BRM1023)
 FINISH: SEE ABOVE
 S/AREA: SEE TABLE mm²

TITLE:
 M3 HEXAGONAL
 THREADED SPACER
 DRAWING NUMBER:
R30-100XXXX
 SHT 1 OF 2



SECTION A-A



M 3 x 0.5 - 6H

M 3 x 0.5 - 6H

JAE	11	09.05.02	6632
AGL	10	02.02.98	4260
WJB	9	31.07.97	4011
	8	18.10.96	3565
	6	12.04.96	3253
	5	12.10.95	3075
	4	25.04.95	2907
	3	05.10.92	2105
	2	29.09.92	2098
	1	24.09.92	----

PART No.	L	S/AREA
R30-10035XX	35.00	980.9
R30-10036XX	36.00	1000.0
R30-10039XX	39.00	1000.0
R30-10040XX	40.00	1076.2

ORDER CODE:
R30-100XXXX
 LENGTH IN mm: _____
 FINISH: _____
 00 = SELF COLOUR
 02 = NICKEL (F0203)
 17 = PROTECTIVE DIP (F0701)

- NOTES:
 1. REMOVE ALL BURRS.
 2. THREAD TO BE MANUFACTURED IN ACCORDANCE WITH BS3643 PT.2 1981.

NAME	ISS.	DATE	C/NOTE
APPROVED:			
CHECKED:			
DRAWN:		A LIOTTA	
CUSTOMER REF.:			
ASSEMBLY DRG:			

HARWIN

HARWIN INC U.S.A. TEL: (812) 285 0055 FAX: (812) 285 0056	HARWIN PLC U.K. TEL: 023 9237 0451 FAX: 023 9231 4590	HARWIN PTE SINGAPORE TEL: 65 7794909 FAX: 65 7793868
--	--	---

THIS DRAWING AND ANY INFORMATION OR DESCRIPTIVE MATTER SET OUT HEREON ARE CONFIDENTIAL AND COPYRIGHT PROPERTY OF THE HARWIN GROUP AND MUST NOT BE DISCLOSED, LOANED, COPIED OR USED FOR MANUFACTURING, TENDERING OR FOR ANY OTHER PURPOSE WITHOUT THEIR WRITTEN PERMISSION.

TOLERANCES
 X. = ±1mm
 X.X = ±0.25mm
 X.XX = ±0.10mm
 X.XXX = ±0.01mm
 ANGLES = ±5°
 UNLESS STATED

MATERIAL: BRASS CZ121 TO BS2874 (BRM1023)
 FINISH: SEE ABOVE
 S/AREA: SEE TABLE mm²

TITLE: M3 HEXAGONAL THREADED SPACER
 DRAWING NUMBER: R30-100XXXX