



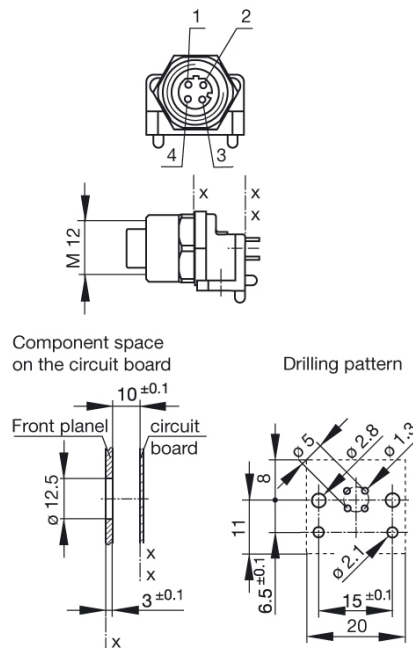
## EF12L OCTOPUS

Industrial Connectors:Bus connectors:Connecting technology

### Product description

Description	Industrial ETHERNET M12 socket, "D"-coded according IEC 61076-2-101 for combined front panels and circuit board installation
Type	EF12L OCTOPUS
Order No.	934 451-021
Type of contact	female
Number of contacts	4
Data rate	10BASE-T, 100BASE-TX
Standard	IEC 61076-2-101
Housing Color	metallic

### Drawing



### Technical data

Rated voltage	AC/DC 150 V
Rated current	4 A (Derating)
Type of termination	soldering, straight pins

### Material

Contact material	Cu Zn
Contact surface material	Au
Contact bearer material	PA

Housing material	Cu Zn/Ni
O-Ring	Viton
<b>Environmental conditions</b>	
Protection class (IEC 60529)	IP 67 / IP65
Pollution severity	3
Temperature range	-25 °C to +90 °C
<b>Approvals</b>	
UL	UL
<b>Packing unit</b>	
Packaging unit	25
<b>Scope of delivery and accessories</b>	
Accessories to order separately	protective cap M 12 VS, order no. 734 209-100 M12 connector EM12S OCTOPUS, order no. 934 445-001 patchcords EM12S 001Lxxxx OCTOPUS, order no. 934 497-xxx