

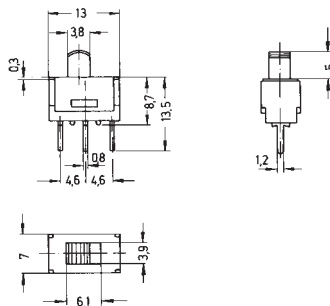
Miniature Slide Switches

Specifications:

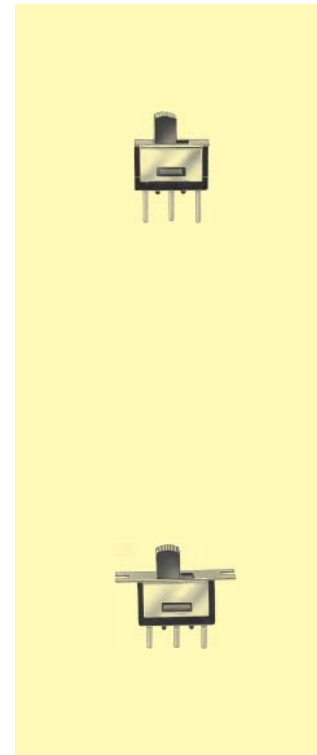
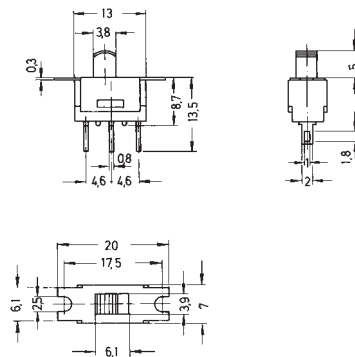
Contact rating:	250 V AC, 3 A / 125 V AC, 6 A / 30 V DC, 4 A
Contact resistance:	< 20 mΩ
Insulation resistance:	> 1000 MΩ at 500 V DC
Dielectric strength:	1500 V, 50 Hz for the duration of 1 minute
Mechanical life:	minimum 20 000 operations
Contacts:	coin silver (common contact copper alloy, silver-plated) also available: gold-plated, version G (see page 4)
Terminals:	MFP PC terminals; MFS solder tags
Case material:	PBT, with glass fibre
Slide colour:	black
Soldering conditions:	auto-soldering – max.: 5 sec, 260° C ± 5° C hand-soldering – max.: 5 sec, 300° C

Models: Switching functions

SPDT
MFP 106 D on – on



SPDT
MFS 106 D on – on



Miniature Slide Switches

Specifications:

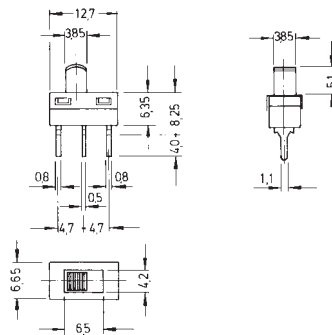
Contact rating:	20 V AC, 0,4 VA
Contact resistance:	< 10 mΩ
Insulation resistance:	> 1000 MΩ
Dielectric strength:	1000 V, 50 Hz for the duration of 1 minute
Operating temperature:	- 30° to + 85°
Mechanical life:	minimum 60 000 operations
Contacts/Terminals:	PC terminals or solder tags, brass gold-plated
Material:	case: PES, slide: PA
Soldering conditions:	auto-soldering - max.: 5 sec, 260° C ± 5° C hand-soldering - max.: 5 sec, 300° C

Models: Switching functions

SPDT

MFP 116 DG

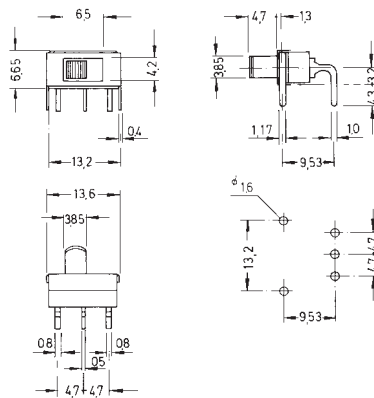
on - on



SPDT

MFP 116 DG - RA

on - on



SPDT

MFS 116 DG

on - on

