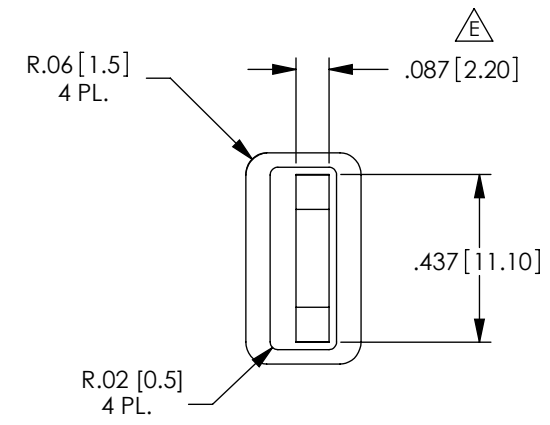
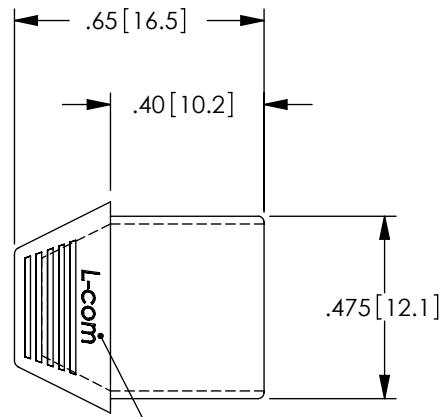
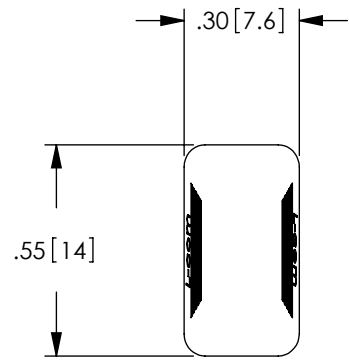
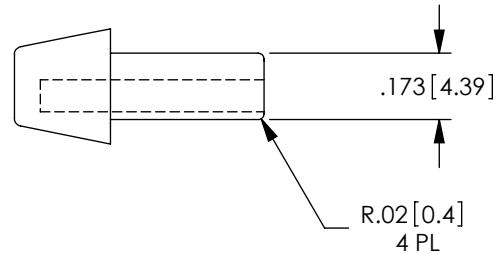


THE INFORMATION CONTAINED IN THIS DRAWING IS THE SOLE PROPERTY OF L-COM, INC. ANY REPRODUCTION IN PART OR WHOLE WITHOUT THE WRITTEN PERMISSION OF L-COM, INC. IS PROHIBITED.

| REVISIONS |                                       |        |           |
|-----------|---------------------------------------|--------|-----------|
| REV       | DESCRIPTION                           | DATE   | APPROVED  |
| E         | ECN 5020: .087 [2.20] WAS .083 [2.11] | 9/9/10 | D. CASTRO |
| -         | -                                     | -      | -         |
| -         | -                                     | -      | -         |
| -         | -                                     | -      | -         |



"L-com" TO APPEAR ON BOTH SIDES LOCATED AS SHOWN



**NOTES:**

MATERIAL: ABS, COLOR BLACK.  
 ROHS COMPLIANT  
 PACKAGING: 10 PIECES PER BAG.  
 ALL DIMENSIONS ARE FOR REFERENCE ONLY.

|   |  |                    |  |  |                  |
|---|--|--------------------|--|--|------------------|
| UNLESS OTHERWISE SPECIFIED, DIMENSIONS ARE IN INCHES [mm]<br><br>DIMENSIONAL TOLERANCES:<br>.X = ±.1<br>.XX = ±.01<br>.XXX = ±.005<br><br>ANGULAR TOLERANCES:<br>ALL = ± 1°<br><br>PROJECTION | APPROVALS<br>C.MCCORMICK   | DATE<br>11/24/2003 |  | 45 BEECHWOOD DRIVE<br>NORTH ANDOVER, MA<br>01845 |                  |
|   | CHECKED BY<br>D.PARHAM   | 11/24/2003         |  | CATEGORY<br>USB                                  |                  |
|   | APPROVED BY<br>R.CARRICK   | 11/24/2003         | PRODUCT DESCRIPTION<br>DUST CAP; USB TYPE "A" JACK |  |                  |
|   | CONFIGURATION DETAILS OF UNDIMENSIONED FEATURES MAY VARY<br><br>COLOR VARIATIONS MAY OCCUR | SIZE<br><b>A</b>   | FSCM NO.<br><b>43321</b>                           | DWG. NO.<br>CAPUSB-A                             | REV.<br><b>E</b> |
| REF   | SCALE: NONE  |                    | CAD FILE: CAPUSB-A.SLDDRW                          |  |                  |
|   |  |                    | SHEET 1 OF 1                                       |  |                  |