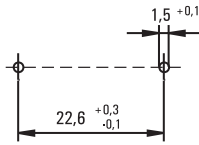
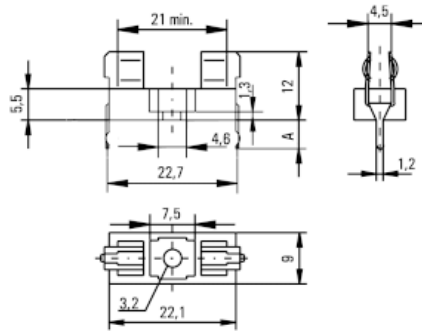


## Holder / No. 646



## PC Mount, 5x20mm Fuses



Holder No.	"A"	PCB Thickness
646 0000 100	5mm	3mm
646 0000 122	3.2mm	1.5mm

## Specifications

### Mounting

Solder pins 0.5 x 1.2mm  
 Ø 3mm screw hole may be used optionally

### Materials

Holder: Black Thermoplastic, UL 94V0  
 Polyamide PA 6.6  
 Metal parts: Copper alloy  
 Solderable, tinned  
 Optional Cover: Transparent Thermoplastic,  
 UL 94V0, Polycarbonate PC

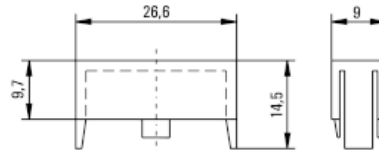
### Electrical Data (23°C)

Rated Voltage: 250V  
 Max. Current/Power: 6.3A/2.5W  
 5A/1W (with No. 648)  
 6.3A/1.6W (with No. 640)

## Cover / No. 648



## Optional Cover



### Minimum Cross Section

Conducting path - 0.2mm<sup>2</sup>

### Unit Weight

1.6g (646)  
 1.0g (648)

### Packaging

Bulk (1000 pcs. - No. 646)  
 Bulk (2000 pcs. - No. 648)

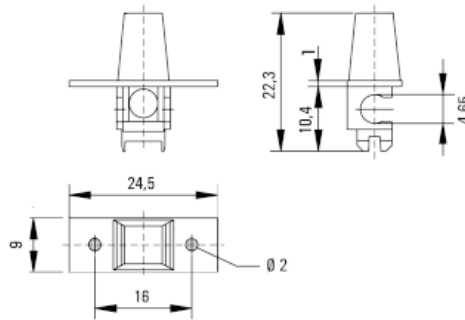
### Order Number

Holder (A=5mm) No. 646 0000 100  
 Holder (A=3.2mm) No. 646 0000 122  
 Cover No. 648 0000 100

## Adapter / No. 640



Contact WICKMANN for an auto-insertable fuse, holder and adapter assembly.



### Mounting

Hand adapter can be optionally used with  
 Holder Nos. 646 and 647.

### Materials

Adapter: Black Thermoplastic, UL 94V0  
 Polyamide PA 6.6

### Unit Weight

1.0g

### Packaging

Bulk (5000 pcs.)

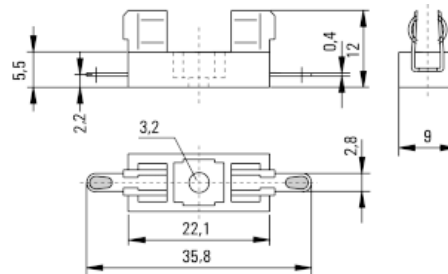
### Order Number

Adapter No. 640 0000 100

## Holder / No. 647



## Cable Type, 5x20mm Fuses



### Mounting

Solderable or 2.8mm quick connect - fits 0.5mm tabs  
 Ø3mm screw hole

### Materials

Holder: Black Thermoplastic, UL 94V0  
 Polyamide PA 6.6  
 Metal parts: Copper alloy  
 Solderable, tinned

### Electrical Data (23°C)

Rated Voltage: 250V  
 Max. Current/Power: 6.3A/2.5W  
 6.3A/1.6W (with No. 640)

### Minimum Cross Section

Conductor - 2.5mm<sup>2</sup>

### Unit Weight

1.7g

### Packaging

Bulk (1000 pcs.)

### Order Number

Holder No. 647 0000 100

