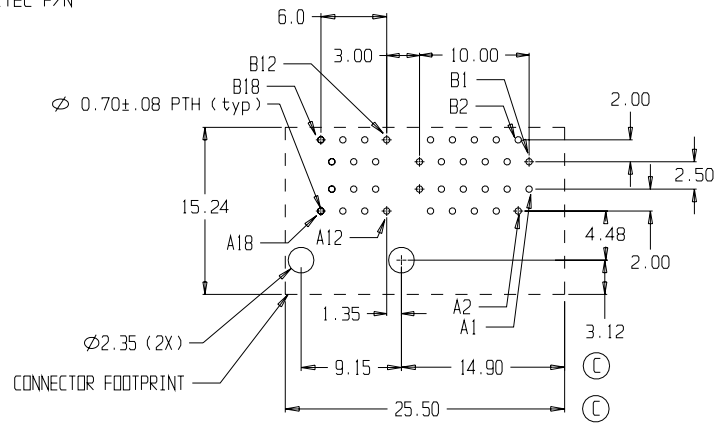
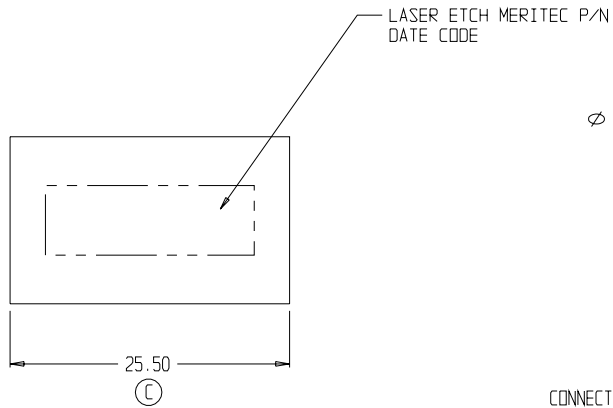
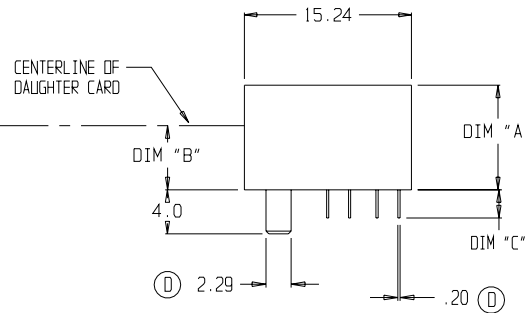
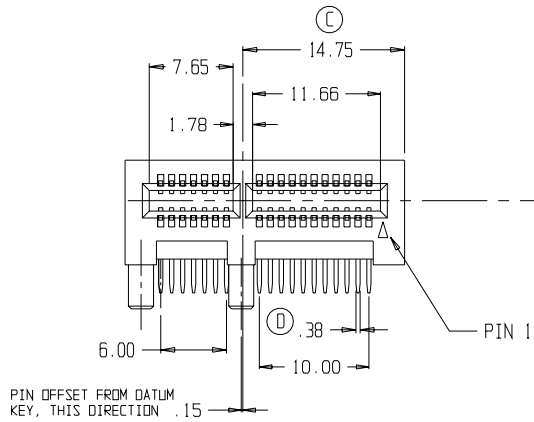


SYM	REVISION	DATE	BY
A	ECO# 1352-40211	1/19/07	CWB
B	ECO# 1352-40227	1/26/07	CWB
C	ECO# 1352-40491	8/02/07	CWB
D	ECO# 1352-40845	4/09/08	CWB



RECOMMENDED PCB LAYOUT
CONNECTOR SIDE SHOWN



MATERIALS:

CONNECTOR HOUSING -- GLASS FILLED LIQUID CRYSTAL POLYMER, BLACK, UL 94V-0

CONTACTS -- COPPER ALLOY

CONTACT FINISH:

.00005" MIN. GOLD IN CONTACT AREA,
GOLD FLASH PLATING ON CONTACT TAILS,
OVER .000050" MIN. NICKEL ENTIRE CONTACT.

- (B)
- (C)
- (D)

DIM "A"	DIM "B"	DIM "C"	MERITEC PART NO.
9.4 (.37)	5.84 (.230)	2.54 (.100)	983171-036-2MMF
9.4 (.37)	5.84 (.230)	3.18 (.125)	983172-036-2MMF
9.4 (.37)	5.84 (.230)	3.56 (.140)	983173-036-2MMF
14.7 (.58)	11.18 (.440)	2.54 (.100)	98317G-036-2MMF
14.7 (.58)	11.18 (.440)	3.18 (.125)	98317H-036-2MMF
14.7 (.58)	11.18 (.440)	3.56 (.140)	98317J-036-2MMF
20.3 (.80)	16.69 (.657)	2.54 (.100)	98317A-036-2MMF
20.3 (.80)	16.69 (.657)	3.18 (.125)	98317B-036-2MMF
20.3 (.80)	16.69 (.657)	3.56 (.140)	98317C-036-2MMF

ALL DIMENSIONS IN MILLIMETERS UNLESS OTHERWISE NOTED

UNLESS OTHERWISE NOTED DIMENSIONS ARE IN MILLIMETERS		
.XX	.XXX	.XXXX
± []	± []	± []
ANGLES	FINISH:	
± []		
DRAWN: C. BALMANN	DATE	1/18/07
CHECKED:	DATE	
RELEASED:	DATE	
NEXT ASS'Y DWG.		



TITLE			
RT. ANGLE PCI EXPRESS™ X1 DAUGHTER CARD COMP. UP			
PROJECT No	SCALE	SHEET	OF
1352	NONE	1	1
DWG No	1352-0113865		REV
			0