

This Right Angle Through-Hole PCIe Connector solves space problems in applications where a card-edge connector is needed with low clearance above or when PCB prohibits use of vertical configurations.

## Features & Benefits

- Parallel daughter-card mating for low-profile applications
- Plastic cover protects connectors from dust and debris, and supports connector for hybrid soldering applications requiring convection/IR heating
- Compliant board-locating posts
- Card slot heights 5.84 mm to 16.68 mm
- Insert molded using liquid-crystal polymer for stability in hybrid-board applications involving surface-mount components requiring convection or IR heating
- Offers PCB design flexibility
- Designed to mate with .062" thick daughter card
- Meets PCIe 2.1, 100-ohm specifications
- RoHS Compliant products available

**Next-Gen  
PCIe 5**  
Release  
coming soon!

## Specifications

### Electrical

- Contact resistance: 40 milliohm (nominal)
- Dielectric-withstanding voltage: 300 VDC
- Current rating: 1.1 amp per contact
- Insulation resistance: 100 MΩ (minimum)

### Mechanical

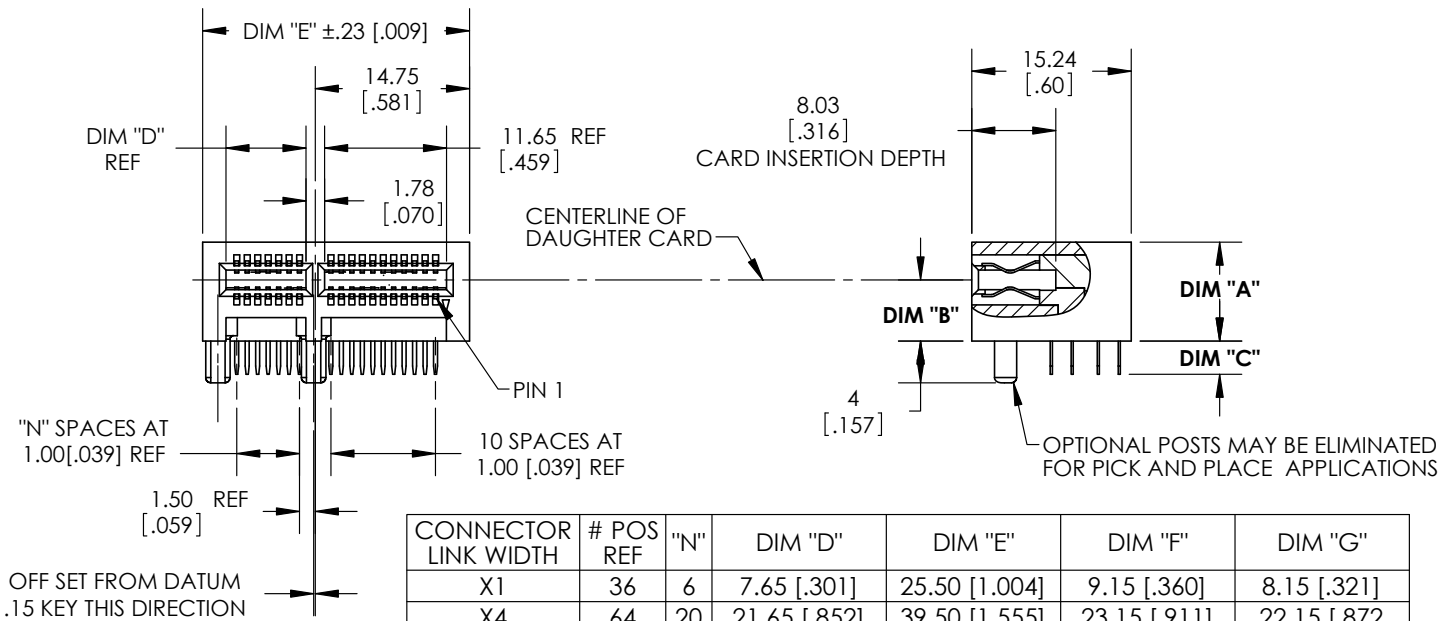
- Contact material: Copper Alloy
- Number of contacts: X1=36, X4=64, X8=98, X16=164
- Standard contact finish: contact and solder-tail finish surface consists of 5-μm Au on contact interface end and 5-μm Au on contact tails, over 50-μm min Ni over entire contact
- Optional, lower cost, contact finish: 5-μm min Au on contact interface end and 100-μm min whisker-mitigating matte Sn on contact tails, over 50-μm min Ni over entire contact
- Custom contact finish: specific gold plating thickness available upon request
- Insertion force: 150 grams maximum per opposing contact pair
- Normal force: 50 grams minimum per contact
- Dielectric material: glass filled liquid-crystal polymer (LCP)

### Environmental

- Material: UL 94V-0 Recognized
- Temperature range: -40 °C to +105 °C

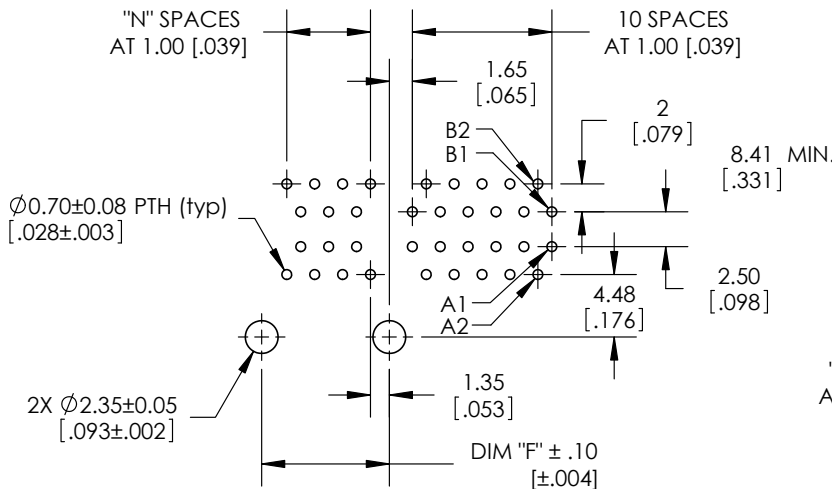


A Qconnect Company

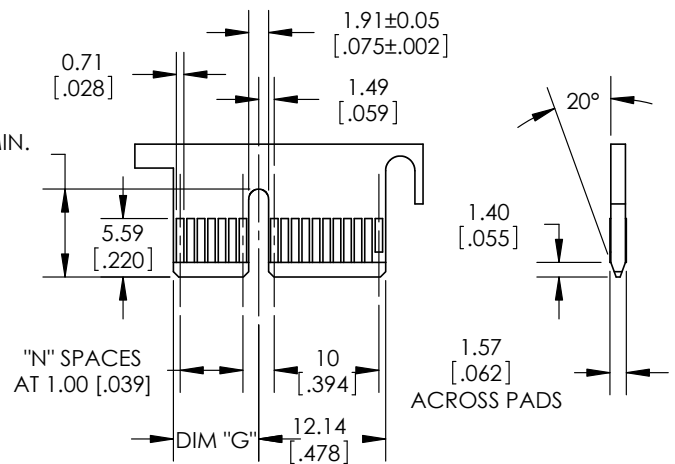


CONNECTOR LINK WIDTH	# POS REF	"N"	DIM "D"	DIM "E"	DIM "F"	DIM "G"
X1	36	6	7.65 [.301]	25.50 [1.004]	9.15 [.360]	8.15 [.321]
X4	64	20	21.65 [.852]	39.50 [1.555]	23.15 [.911]	22.15 [.872]
X8	98	37	38.65 [1.522]	56.50 [2.224]	40.15 [1.581]	39.15 [1.541]
X16	164	70	71.65 [2.821]	89.50 [3.524]	73.15 [2.880]	72.15 [2.841]

### RECOMMENDED MOTHER BOARD FOOTPRINT



### RECOMMENDED DAUGHTER CARD LAYOUT



DIM "A"	DIM "B"	DIM "C"	P/N STRUCTURE STANDARD CONTACT FINISH	P/N STRUCTURE OPTIONAL LOW COST CONTACT FINISH	XXX= Number of Positions Replace XXX with number of positions: <b>036 = X1</b> <b>064 = X4</b> <b>098 = X8</b> <b>164 = X16</b>
9.39 [.370]	5.84 [.230]	2.54 [.100]	983171-XXX-2MMF	983171-XXX-2MTF	
9.39 [.370]	5.84 [.230]	3.17 [.125]	983172-XXX-2MMF	983172-XXX-2MTF	
9.39 [.370]	5.84 [.230]	3.55 [.140]	983173-XXX-2MMF	983173-XXX-2MTF	
14.73 [.580]	11.17 [.440]	2.54 [.100]	98317G-XXX-2MMF	98317G-XXX-2MTF	
14.73 [.580]	11.17 [.440]	3.17 [.125]	98317H-XXX-2MMF	98317H-XXX-2MTF	
14.73 [.580]	11.17 [.440]	3.55 [.140]	98317J-XXX-2MMF	98317J-XXX-2MTF	
20.32 [.800]	16.68 [.657]	2.54 [.100]	98317A-XXX-2MMF	98317A-XXX-2MTF	
20.32 [.800]	16.68 [.657]	3.17 [.125]	98317B-XXX-2MMF	98317B-XXX-2MTF	
20.32 [.800]	16.68 [.657]	3.55 [.140]	98317C-XXX-2MMF	98317C-XXX-2MTF	

