

This Right Angle Through-Hole PCIe connector solves space problem in applications where a card edge connector is needed and low clearance above PCB prohibits use of vertical configurations

FEATURES | BENEFITS

- Parallel Daughter card mating for low profile applications
- Plastic cover protects connectors from dust and debris, and supports connector for hybrid soldering applications requiring convection/IR heating
- Compliant board locating posts
- Card slot heights 5.84mm to 11.17mm
- Insert molded using liquid crystal polymer for stability in hybrid board applications involving surface mount components requiring convection or IR heating
- Offers PCB design flexibility
- Designed to mate with .062" thick daughter card
- Meets PCIe 3.0 Electrical data requirements for 8.0 Gb/s

SPECIFICATIONS

ELECTRICAL:

- Contact resistance: 40 milliohms nominal
- Dielectric withstanding voltage: 300VDC
Current rating: 1.1 AMP per contact
- Insulation resistance: 100 Mohms (minimum)

MECHANICAL:

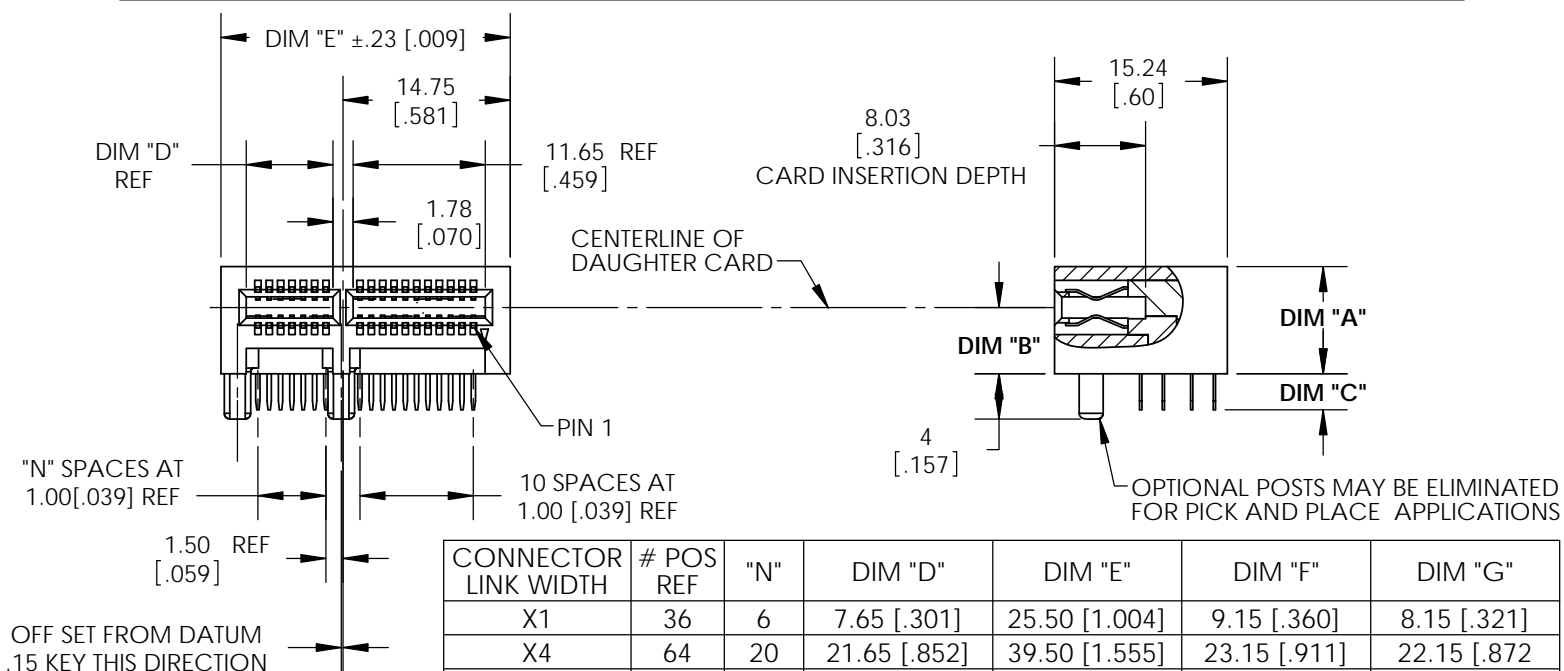
- Contact material: Copper alloy
- Number of contacts: X1=36, X4=64, X8=98, X16=164, X24=230
- Standard contact finish: contact and solder tail finish surface consists of 5 μ Au over 50 μ min Ni
- Custom contact finish: specific gold plating thickness available upon request
- Insertion force: 150 grams maximum per opposing contact pair
- Normal force: 5 grams minimum per contact
- Dielectric material: glass filled Liquid Crystal Polymer (LCP)

ENVIRONMENTAL:

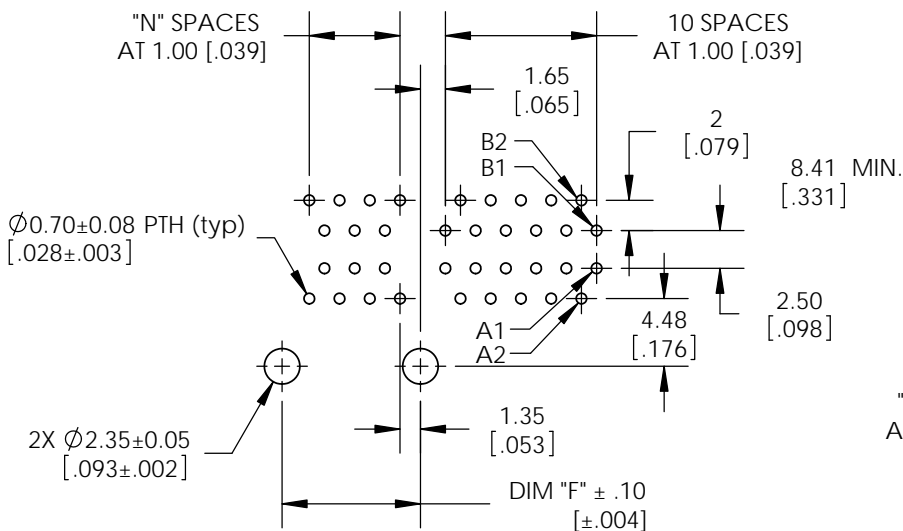
- Material: UL 94 V-0 rated
- Temperature Range: -40°C to +105°C

CONFIDENTIAL AND PROPRIETARY NOTICE: This document and the information contained in it are confidential property of Meritec. The document and information are provided to you for your review and evaluation and must not be furnished or disclosed to others without prior written consent by an authorized representative of Meritec.

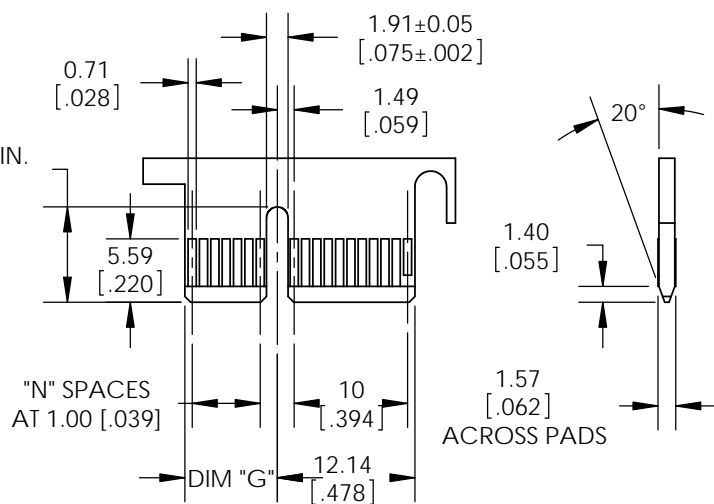
PCI Express 85 Ohm Right Angle Through-Hole Mount Connectors



RECOMMENDED MOTHER BOARD FOOTPRINT



RECOMMENDED DAUGHTER CARD LAYOUT



DIM "A"	DIM "B"	DIM "C"	PART NUMBER STRUCTURE	XXX = Number of Positions Replace XXX with number of positions: 036 = X1 064 = X4 098 = X8 164 = X16 230 = X24
9.39 [.370]	5.84 [.230]	2.54 [.100]	983571- XXX -2MMF	
9.39 [.370]	5.84 [.230]	3.17 [.125]	983572- XXX -2MMF	
9.39 [.370]	5.84 [.230]	3.55 [.140]	983573- XXX -2MMF	
14.73 [.580]	11.17 [.440]	2.54 [.100]	98357G- XXX -2MMF	
14.73 [.580]	11.17 [.440]	3.17 [.125]	98357H- XXX -2MMF	
14.73 [.580]	11.17 [.440]	3.55 [.140]	98357J- XXX -2MMF	

CONFIDENTIAL AND PROPRIETARY NOTICE

This document and the information contained in it are confidential property of Meritec. The document and information are provided to you for your review and evaluation and must not be furnished or disclosed to other without prior written consent by an authorized representative of Meritec.