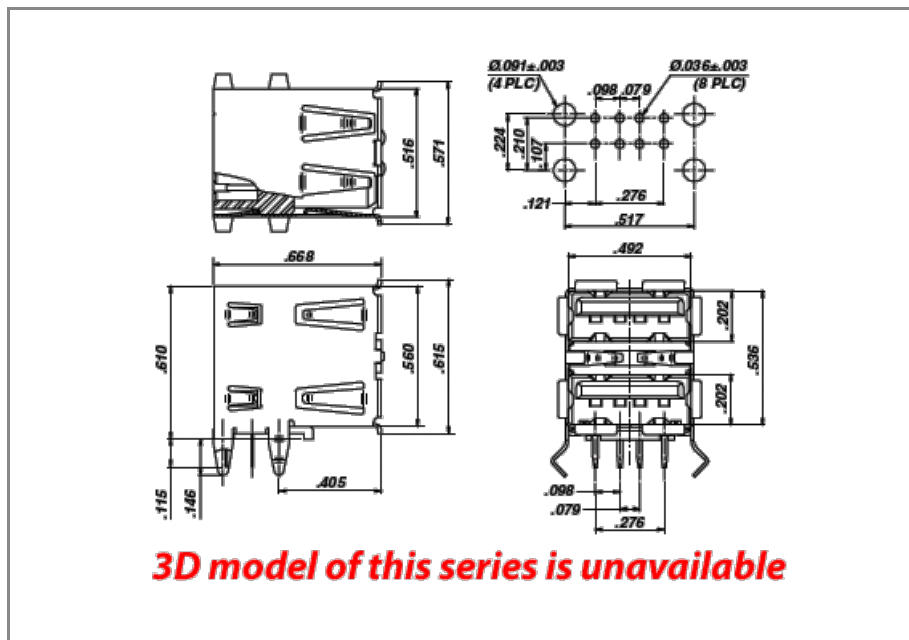




PRODUCT NUMBER: 896-43-004-90-000000

www.mill-max.com  
DATA SHEET



General Info	
Description:	Type A USB 2.0
Type:	USB
Category:	Connector
Mounting Style:	Through Hole Solder Mount USB
# Pins:	4
Packaging:	Packaged in Trays
Qty Tube:	150
Rows:	Single USB
Product Lifecycle:	Active
Country Of Origin:	ROC

## 896-43-004-90-000000- SPECIFICATIONS

Environmental Specs	
Temperature Range:	-40/+85° C
1 RoHS:	Yes
Materials	
Shell Plating:	200 μ" Tin (matte finish) over 100 μ" Nickel
Inner Plating:	30 μ" Gold over 50 μ" Nickel

### NOTES:

1. Mill-Max products labeled with the RoHS symbol are compliant with all three ROHS Directives. All of our products previously described as RoHS (2002/95/EC) and RoHS-2 (2011/65/EC) are also compliant with RoHS-3 (2015/863/EU).

### ADDITIONAL NOTES AND SPECIFICATIONS

In the interest of improved design, quality and performance , Mill-Max reserves the right to make changes in its specifications without prior notice. Specifications and tolerances are provided wherever possible. The tolerance on dimensions of critical to function features is typically held tighter than the stated standard tolerances, such as press-fits, holes and lengths affecting the coplanarity of SMT products. Due to the wide variety of interconnects Mill-Max offers, the specific tolerances vary from product to product. If you need information regarding the tolerance of a particular part, please contact Technical Services.

### RELATED LINKS AND DOCUMENTS

- Product Detail: [896-43-004-90-000000 - Type A](#)
- Environmental Compliance: <https://www.mill-max.com/rohs>