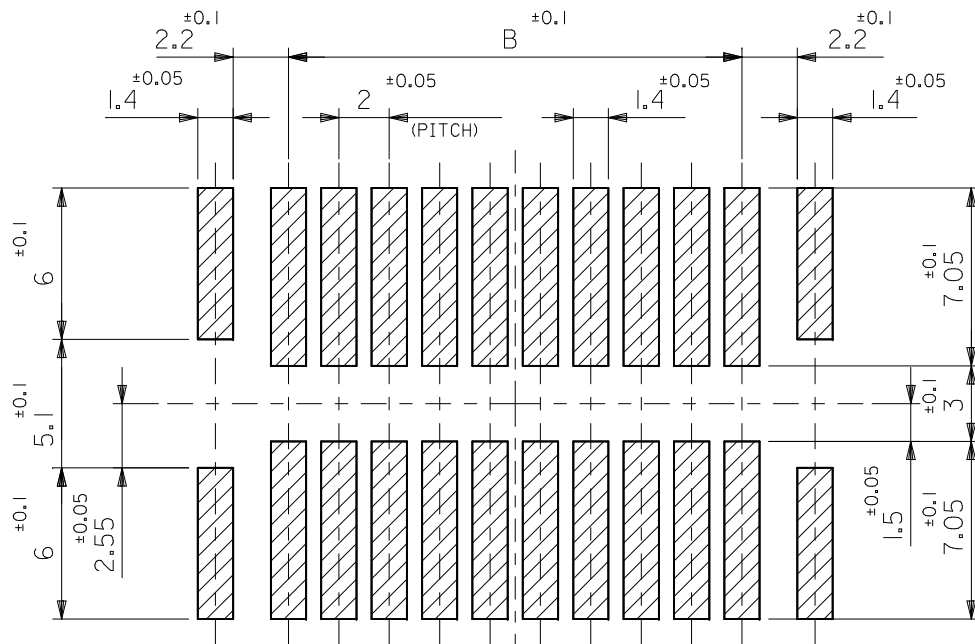
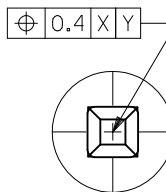


41.1	44.2	38	45.6	55763-408*	40
31.1	34.2	28	35.6	55763-308*	30
21.1	24.2	18	25.6	55763-208*	20
D	C	B	A	△ MATERIAL NO.	CKT.
MODEL NO. 55763-***8*					

REVISED EC NO: J2010-2017 DRWN: ITO CHKD: K. TOJO APPR: NUKITA	2010/04/07 2010/04/09 2010/04/12	GENERAL TOLERANCES (UNLESS SPECIFIED)		DIMENSION STYLE MM ONLY		SCALE 4:1	DESIGN UNITS METRIC	THIRD ANGLE PROJECTION	
		10 UNDER	±0.2	DRAWN BY M. NAGATA	DATE 2004/02/10	TITLE 2.0MM W-TO-B DUAL CONN PLUG HOUSING ASS'Y -LEAD FREE-			
		10 OVER 30 UNDER	±0.25	CHECKED BY K. TOJO	DATE 2004/02/10	MOLEX INCORPORATED			
		30 OVER	±0.3	APPROVED BY M. SASAO	DATE 2004/02/10	DOCUMENT NO. SD-55763-006			
REV	DESCRIPTION	ANGULAR	±3 °	MATERIAL NO. SEE CHART		SHEET NO. 1 OF 2		THIS DRAWING CONTAINS INFORMATION THAT IS PROPRIETARY TO MOLEX INCORPORATED AND SHOULD NOT BE USED WITHOUT WRITTEN PERMISSION	
		DRAFT WHERE APPLICABLE MUST REMAIN WITHIN DIMENSIONS		SIZE A3					



参考基板レイアウト (マウント面)
P.C.BOARD PATTERN DIMENSION (REFERENCE)
(MOUNTING AREA)



DETAIL U
SCALE 30:1

注記 NOTES

1. 使用材料 MATERIAL
ハウジング: ポリアミド、ガラス入り、UL94V-0、色:自然色(白)
HOUSING: PA46, UL94V-0, COLOR: NATURAL(WHITE)
ピン: 黄銅 (□0.5)
PIN: BRASS (□0.5)
金具: 黄銅 (t=0.4)
NAIL: BRASS (t=0.4)
2. メッキ仕様 PLATING
ピン PIN
錫 2.0マイクロメートル
TIN 2.0MICROMETER MINIMUM
下地メッキ: 銅メッキ 1.0マイクロメートル
UNDER PLATING: COPPER 1.0MICROMETER MINIMUM
金具 NAIL
錫 2.0マイクロメートル
TIN 2.0MICROMETER MINIMUM
下地メッキ: ニッケルメッキ 1.0マイクロメートル
UNDER PLATING: NICKEL 1.0MICROMETER MINIMUM

⚠ (全極数/2) = 偶数の場合に適用。
APPLY FOR (CIRCUIT/2)=EVEN

4. 嵌合相手: 51242-***00
MATE WITH: 51242-***00
5. テール平坦度は、0.1以下
テール及び金具の平坦度は、0.1以下
TAIL COPLANARITY TO BE 0.1MAXIMUM.
TAIL AND FITTING NAIL
COPLANARITY TO BE 0.1 MAXIMUM.

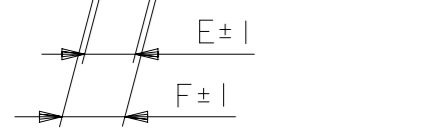
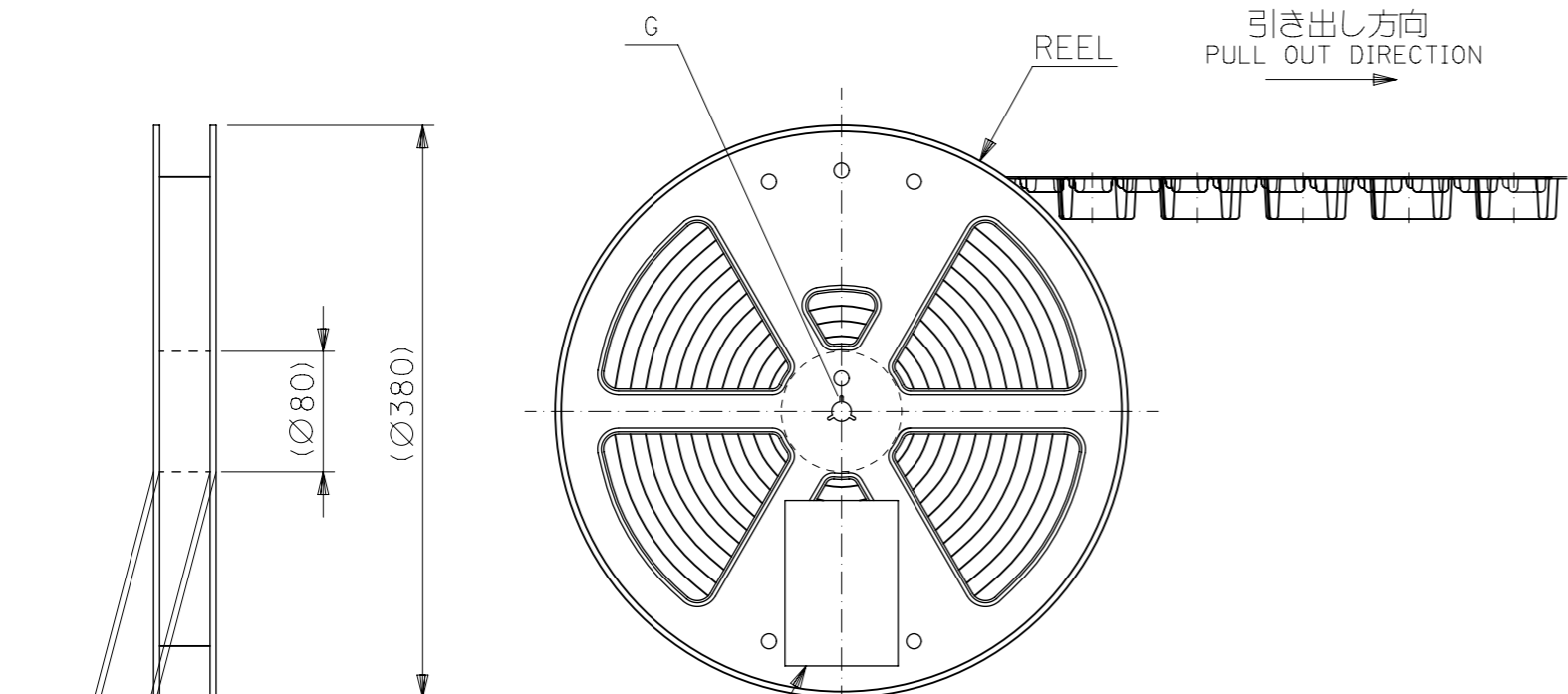
⚠ 製品番号
MATERIAL NO.
55763-***8*

極数 CIRCUIT SIZE	色 COLOR	ナチュラル(白) NATURAL(WHITE)	0
		赤 RED	2

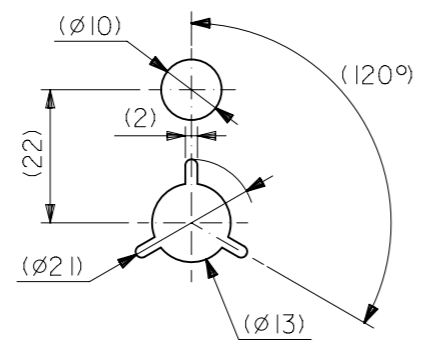
7. 本製品は 55763-*** の鉛フリー品である。
THIS PRODUCT IS LEAD FREE OF 55763-***

MODEL NO. 55763-***8*

REVISED EC NO: J2010-2017 DRWN: NITO 2010/04/07 CHKD: TOJO 2010/04/09 APPR: NUKITA 2010/04/12	GENERAL TOLERANCES (UNLESS SPECIFIED)		DIMENSION STYLE MM ONLY	SCALE ---	DESIGN UNITS METRIC	THIRD ANGLE PROJECTION
	10 UNDER	± ---	DRAWN BY M. NAGATA	DATE 2004/02/10	TITLE 2.0MM W-TO-B DUAL CONN PLUG HOUSING ASS'Y -LEAD FREE-	
	10 OVER 30 UNDER	± ---	CHECKED BY K. TOJO	DATE 2004/02/10	MOLEX INCORPORATED	
	30 OVER	± ---	APPROVED BY M. SASAO	DATE 2004/02/10	MATERIAL NO. SEE CHART	DOCUMENT NO. SD-55763-006
REV	DESCRIPTION	ANGULAR ± --- ° DRAFT WHERE APPLICABLE MUST REMAIN WITHIN DIMENSIONS	SIZE A3	THIS DRAWING CONTAINS INFORMATION THAT IS PROPRIETARY TO MOLEX INCORPORATED AND SHOULD NOT BE USED WITHOUT WRITTEN PERMISSION		

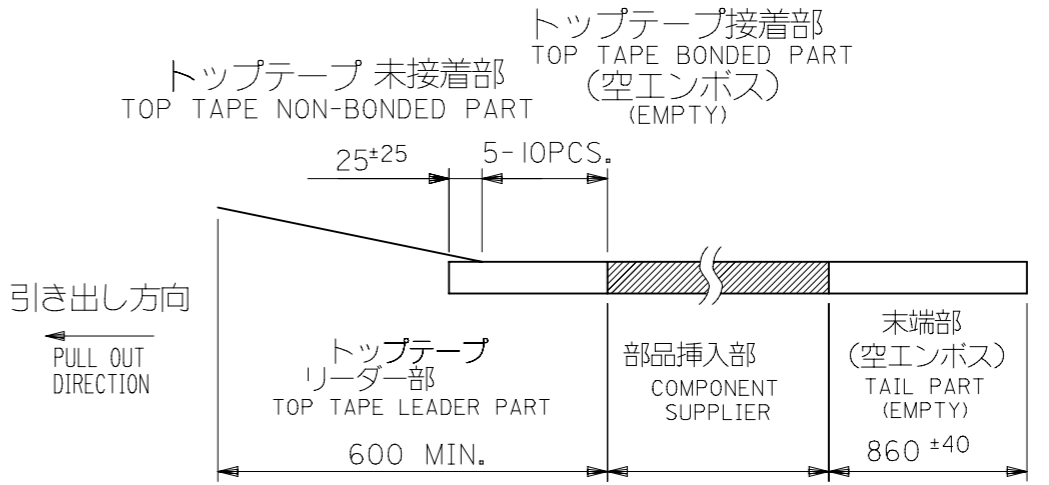


現品票
PART IDENTIFICATION LABEL

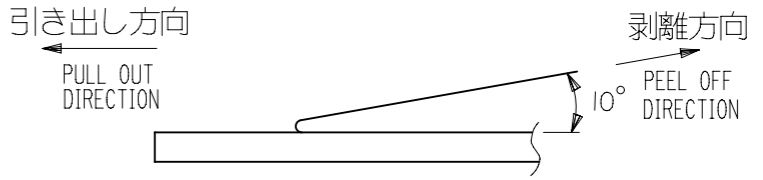


DETAIL G

- NOTES
- 梱包数量：300個/リール
NUMBER OF CONNECTORS : 300PCS/REEL
 - リードテープ長さ
LEAD TAPE LENGTH



- トップテープの剥離強度：0.1N ~ 1.3N {10 ~ 130gf}
 <剥離速度：300mm/min (参考)> (剥離方向は下図参照)
 PEELING OFF FORCE OF TOP TAPE : 0.1N ~ 1.3N {10 ~ 130gf}
 (PEELING DIRECTION AS SHOWN IN FOLLOWING FIG.)
 PEELING OFF SPEED : 300mm/min. (REF.)



- 材料
 キャリアテープ：ポリプロピレン (PP)
 トップテープ：PET、PE、PEF
 リール：ポリスチレン (PS) <リサイクル材を含む>
 MATERIAL CARRIER TAPE : POLYPROPYLENE
 TOP TAPE : PET,PE,PEF
 REEL : POLYSTYREN(PS) <RECYCLE MATERIAL CONTAINED>

5. 欠損無きこと。
THERE MUST NOT BE LOSS.

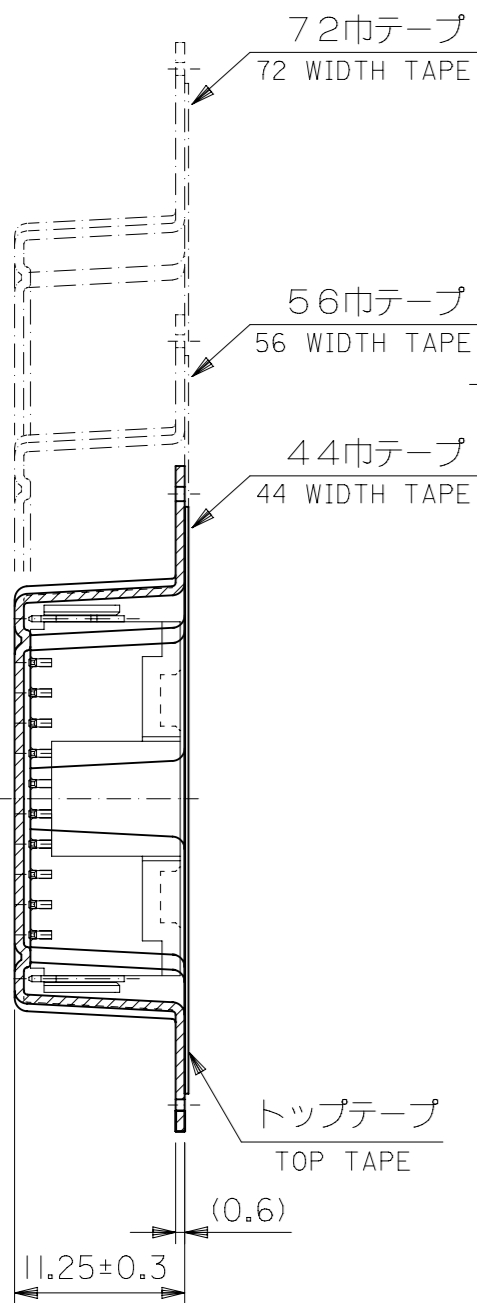
△ 製品番号
MATERIAL NO.
55763-***7*
極数 CIRCUIT SIZE | 色 COLOR | ナチュラル (白) | 0
NATURAL (WHITE)

7. 本製品は 55763-***9* の鉛フリー品である。
THIS PRODUCT IS LEAD FREE OF 55763-***9*.

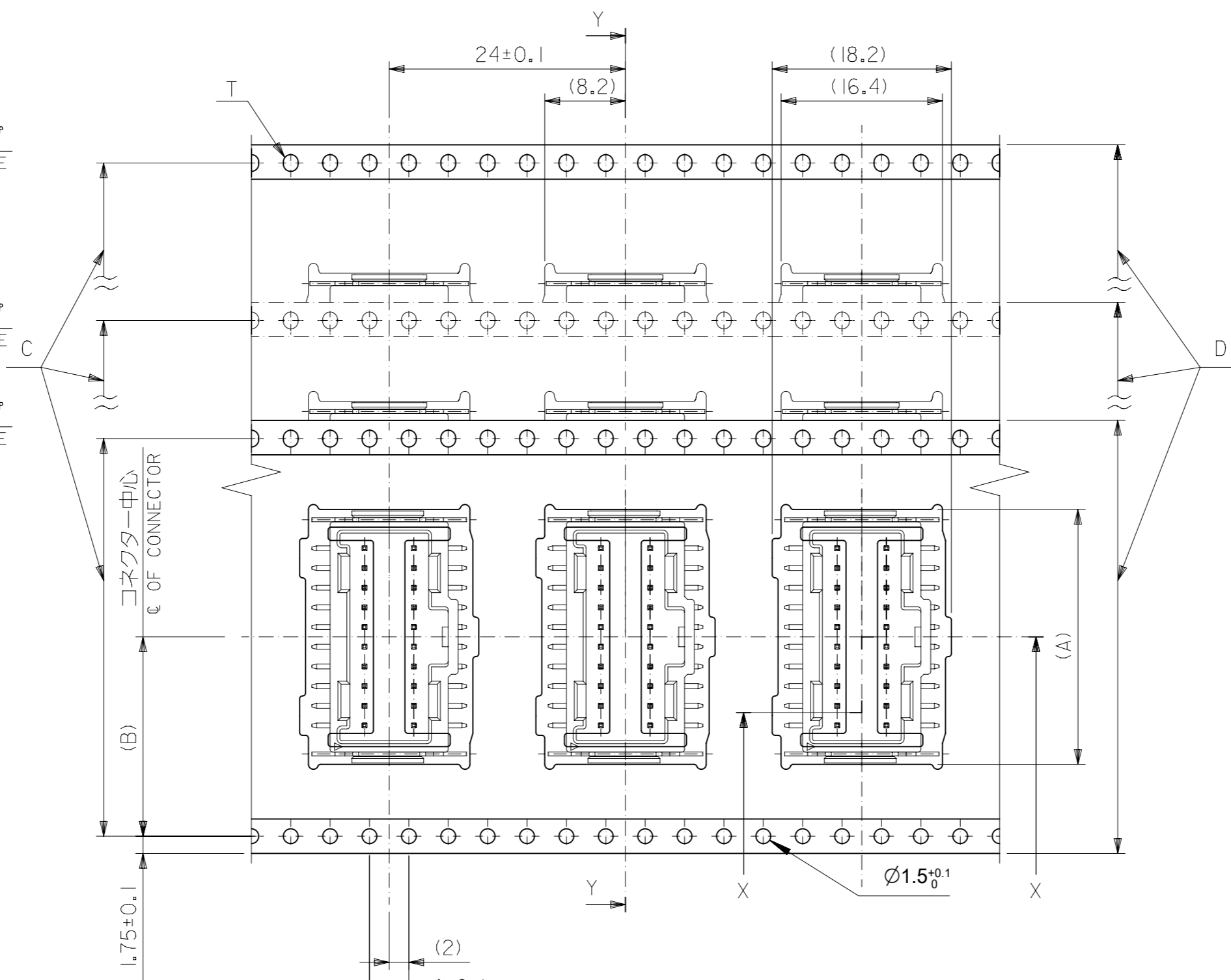
8. 本製品は乾燥剤入り、ハイバリア梱包仕様である。
開梱後の保管条件に注意して下さい。(PS-51242-002参照)
HIGH BARRIER PACKAGING INCLUDING DESICCANT.
NOTE THE CONDITION OF THE OPEN PACKAGE.
(REFER TO PS-51242-002)

MODEL NO. | 55763-***7*

GENERAL TOLERANCES (UNLESS SPECIFIED)		THIS DRAWING CONTAINS INFORMATION THAT IS PROPRIETARY TO MOLEX ELECTRONIC TECHNOLOGIES, LLC AND SHOULD NOT BE USED WITHOUT WRITTEN PERMISSION			
10 UNDER	± 0.2	DIMENSION UNITS	SCALE		
10 OVER	± 0.25	mm	---	CURRENT REV DESC: REMOVED OBSOLETE PART NUMBERS AS PER PCN#512606.	
30 OVER	± 0.3	GENERAL TOLERANCES (UNLESS SPECIFIED)		EC NO: 764691	
ANGULAR	± 3	ANGULAR TOL ± 30°		DRWN: RAVINR1 2023/09/07	
DRAFT WHERE APPLICABLE MUST REMAIN WITHIN DIMENSIONS		4 PLACES ± 0.2		CHK'D: GGA 2023/10/13	
		3 PLACES ± 0.25		APPR: GGA 2023/10/13	
		2 PLACES ± 0.3		INITIAL REVISION:	
		1 PLACE ±		DRWN: M.NAGATA 2004/02/10	
		0 PLACES ±		APPR: M.SASAO 2004/02/10	
		DRAFT WHERE APPLICABLE MUST REMAIN WITHIN DIMENSIONS		THIRD ANGLE PROJECTION	
		DRAWING		SERIES	
		A3-SIZE		55763	
		MATERIAL NUMBER		CUSTOMER	
		SEE TABLE		GENERAL MARKET	
		DOCUMENT NUMBER		DOC TYPE	
		SD-55763-007		PSD	
		DOC PART		REVISION	
		001		E1	
		SHEET NUMBER			
		1 OF 2			

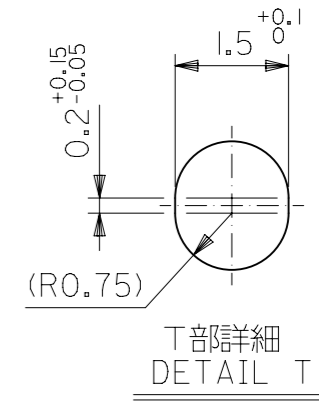


断面 Y-Y
SECTION Y-Y

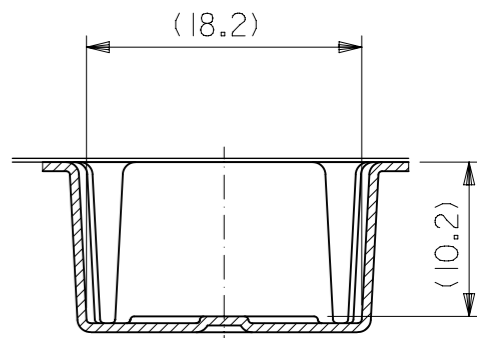


引き出し方向
PULL OUT DIRECTION

累積ピッチ: 40±0.2
ACUUMLATIVE PITCH: 40±0.2



T部詳細
DETAIL T



断面 X-X
SECTION X-X

NATURAL	77.4	73.4	72±0.3	68.4	34.25	45.9	55763-4070	40	
	61.4	57.4	56±0.3	52.4	26.25	35.9	55763-3070	30	
	49.4	45.4	44±0.3	40.4	20.25	25.9	55763-2070	20	
COLOR	F	E	D キャリアテープ幅 CARRIER TAPE WIDTH		C	(B)	(A)	製品番号 MATERIAL NO.	極数 CIRCUITS
							MODEL NO.	55763-***7*	

GENERAL TOLERANCES (UNLESS SPECIFIED)		THIS DRAWING CONTAINS INFORMATION THAT IS PROPRIETARY TO MOLEX ELECTRONIC TECHNOLOGIES, LLC AND SHOULD NOT BE USED WITHOUT WRITTEN PERMISSION	
10 UNDER	± 0.2	DIMENSION UNITS	SCALE
10 OVER	± 0.25	mm	NTS
30 OVER	± 0.3	GENERAL TOLERANCES (UNLESS SPECIFIED)	
ANGULAR ± 3 °		ANGULAR TOL ± 30 °	
DRAFT WHERE APPLICABLE MUST REMAIN WITHIN DIMENSIONS		4 PLACES ± 0.2	
		3 PLACES ± 0.25	
		2 PLACES ± 0.3	
		1 PLACE ±	
		0 PLACES ±	
		DRAFT WHERE APPLICABLE MUST REMAIN WITHIN DIMENSIONS	
		THIRD ANGLE PROJECTION	
		DRAWING	
		SERIES	
		MATERIAL NUMBER	
		CUSTOMER	
		SHEET NUMBER	
EC NO: 764691		CURRENT REV DESC: REMOVED OBSOLETE PART NUMBERS AS PER PCN#512606.	
DRWN: RAVINR1		2023/09/07	
CHK'D: GGA		2023/10/13	
APPR: GGA		2023/10/13	
INITIAL REVISION:		DOCUMENT NUMBER	
DRWN: M.NAGATA		SD-55763-007	
APPR: M.SASAO		DOC TYPE	
2004/02/10		PSD	
2004/02/10		DOC PART	
		001	
		REVISION	
		E1	
		GENERAL MARKET	
		2 OF 2	