



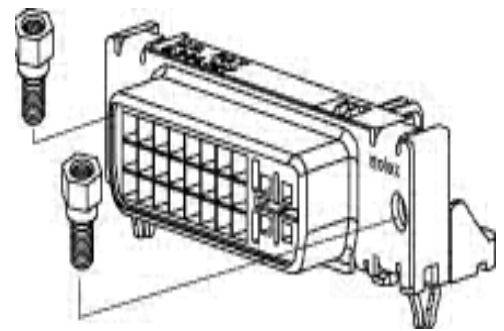
Part Number : [743209010](#)

Product Description : MicroCross DVI-I Digital/
Analog Visual Interface, PCB Receptacle, Panel Mount,
Through Hole, Right-Angle, with Beveled Metal Pins,
0.76µm Gold (Au), Lead-Free, Screw Hole, 4-40 Thread,
29 Circuits

Series Number : 74320

Status : Not Recommended For New Design

Product Category : I/O Connectors



Documents and Resources

Drawings

[743209010_sd.pdf](#)

[PK-74320-005-001.pdf](#)

[PK-74320-010-002.pdf](#)

3D Models and Design Files

[STEP AP242](#)

[SOLIDWORKS](#)


[Creo](#)

Specifications

[PS-74320-001-001.pdf](#)

Product Environment Compliance

Compliance

GADSL/IMDS	Compliant with Exemption 34; 33
China RoHS	 per SJ/T 11365-2006
EU ELV	Not Relevant
Low-Halogen Status	Low-Halogen per IEC 61249-2-21
REACH SVHC	Not Contained per D(2025)7771-DC (04 Feb 2026)
EU RoHS	Compliant per EU 2015/863

Compliance Statements

- EU RoHS
- REACH SVHC
- Low-Halogen

Industry Documents

- IPC 1752A Class C
- IPC 1752A Class D
- Molex Product Compliance Declaration
- IEC-62474
- chemSHERPA (xml)

Substances of Interest

- PFAS

EU RoHS Certificate of Compliance

Additional Product Compliance Information

Part Details

General

Status	Not Recommended For New Design
Category	I/O Connectors
Series	74320
Description	MicroCross DVI-I Digital/Analog Visual Interface, PCB Receptacle, Panel Mount, Through Hole, Right-Angle, with Beveled Metal Pins, 0.76µm Gold (Au), Lead-Free, Screw Hole, 4-40 Thread, 29 Circuits
Application	Wire-to-Board
Comments	DDWG (Digital Display Working Group) Standard
Component Type	Receptacle
Product Name	MicroCross DVI
Type	N/A
UPC	800754861878

Agency

UL	E29179
----	--------

Electrical

Current - Maximum per Contact	3.0A
Grounding to Panel	Yes
Shielded	Yes
Shield Type	Full Shield
Voltage - Maximum	40V AC (RMS)

Physical

Boot Color	N/A
Circuits (Loaded)	29
Circuits (maximum)	29
Color - Resin	Natural
Durability (mating cycles max)	100
Gender	Receptacle
Keying to Mating Part	Yes
Lock to Mating Part	Yes
Material - Metal	Copper Alloy
Material - Plating Mating	Gold
Material - Plating Termination	Tin
Net Weight	6.714/g
Number of Rows	3
Orientation	Right Angle
Packaging Type	Tray
Panel Mount	Yes
PCB Locator	Yes
PCB Retention	Yes
PC Tail Length	2.34mm
Pitch - Mating Interface	1.90mm
Pitch - Termination Interface	1.90mm
Plating min - Mating	0.762µm
Plating min - Termination	2.540µm
Polarized to Mating Part	Yes
Polarized to PCB	Yes
Ports	1
Temperature Range - Operating	-20° to +85°C

Termination Interface Style	Through Hole
Waterproof / Dustproof	No
Wire Size (AWG)	N/A

Solder Process Data

Lead-Free Process Capability	WAVE
------------------------------	------

This document was generated on Mar 23, 2026