

PLEASE CHECK WWW.MOLEX.COM FOR LATEST PART INFORMATION

Part Number: [0743209033](#)
Status: **Active**
Description: MicroCross™ DVI-I Digital/Analog Visual Interface, PCB Receptacle, PanelMount, Through Hole, Right Angle, 0.76µm (30µ") Gold (Au) Plating, 2.34mm (.092") P.C. Tail Length, with Beveled Metal Pins, 29 Circuits, Lead Free

Documents:

[Drawing \(PDF\)](#) [RoHS Certificate of Compliance \(PDF\)](#)

Agency Certification

UL E29179

General

Product Family I/O Connectors
 Series [74320](#)
 Application Wire-to-Board
 Comments DDWG (Digital Display Working Group) Standard
 Component Type Receptacle
 Product Name MicroCross™DVI
 Type N/A

Physical

Boot Color N/A
 Circuits (Loaded) 29
 Circuits (maximum) 29
 Color - Resin Natural
 Durability (mating cycles max) 100
 Flammability 94V-0
 Gender Receptacle
 Keying to Mating Part Yes
 Lock to Mating Part Yes
 Material - Metal Copper Alloy
 Material - Plating Mating Gold
 Material - Plating Termination Tin
 Number of Rows 3
 Orientation Right Angle
 PC Tail Length (in) 0.092 In
 PC Tail Length (mm) 2.34 mm
 PCB Locator Yes
 PCB Retention Yes
 Packaging Type Tray
 Panel Mount Yes
 Pitch - Mating Interface (in) 0.075 In
 Pitch - Mating Interface (mm) 1.91 mm
 Pitch - Term. Interface (in) 0.075 In
 Pitch - Term. Interface (mm) 1.91 mm
 Plating min: Mating (µin) 30
 Plating min: Mating (µm) 0.76
 Plating min: Termination (µin) 100
 Plating min: Termination (µm) 2.50
 Polarized to Mating Part Yes
 Polarized to PCB Yes
 Ports 1
 Surface Mount Compatible (SMC) No
 Temperature Range - Operating -20°C to +85°C
 Termination Interface: Style Through Hole

EU RoHS

**ELV and RoHS
 Compliant**
**REACH SVHC
 Not Reviewed**
**Halogen-Free
 Status
 Not Reviewed**

China RoHS



Need more information on product environmental compliance?

Email productcompliance@molex.com
 For a multiple part number RoHS Certificate of Compliance, [click here](#)

Please visit the [Contact Us](#) section for any non-product compliance questions.

Search Parts in this Series

[74320Series](#)

Mates With

[88744](#) , [74323](#)

Waterproof / Dustproof	No
Wire Size AWG	N/A
Electrical	
Current - Maximum per Contact	3A
Grounding to Panel	Yes
Shield Type	Full Shield
Shielded	Yes
Voltage - Maximum	40V AC (RMS)

Material Info

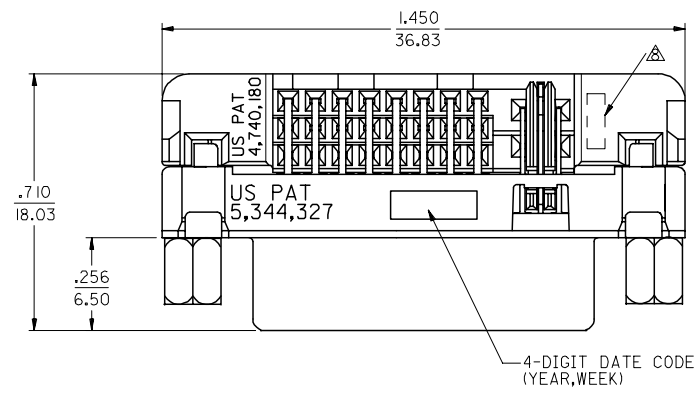
Reference - Drawing Numbers

Packaging Specification	PK-74320-010
Sales Drawing	SD-74320-025

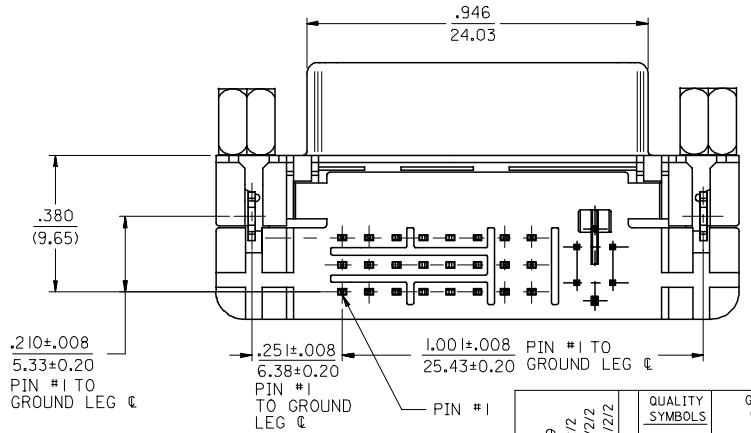
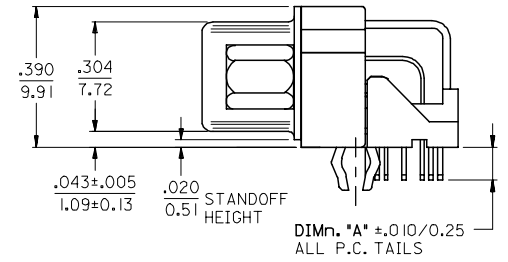
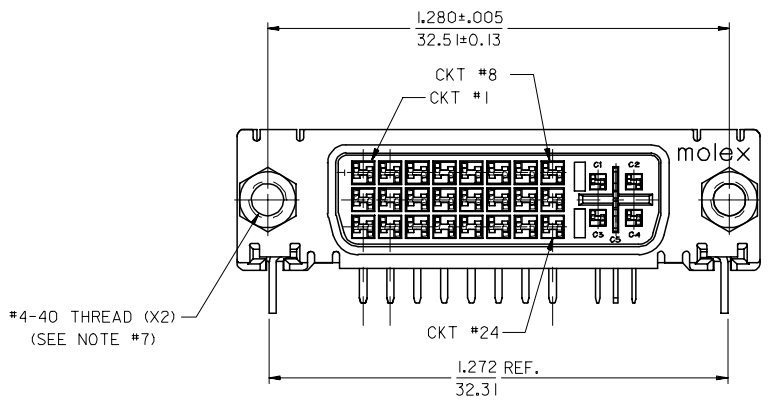
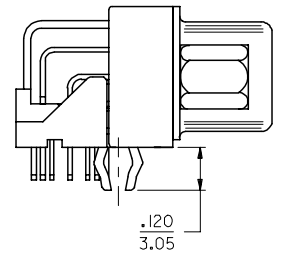
This document was generated on 05/10/2010

PLEASE CHECK WWW.MOLEX.COM FOR LATEST PART INFORMATION

PART NUMBER	DIM "A"	PLATING OPTION
74320-9034	.092/2.34	2
74320-9033	.092/2.34	1

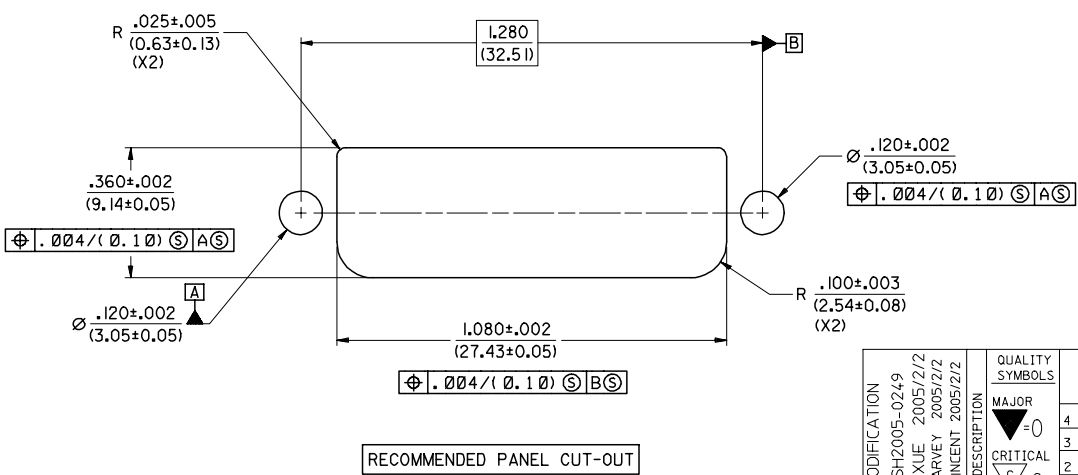
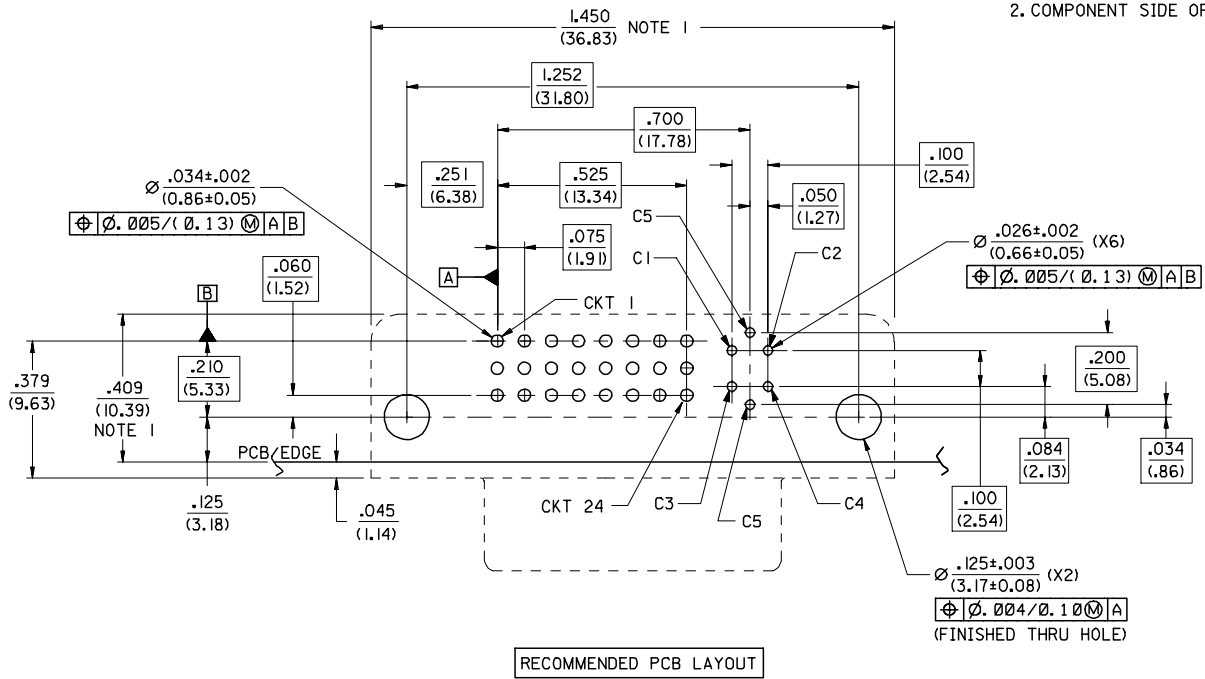


- NOTES:
- MATERIALS:
 SHIELD -- DEEP DRAW STEEL.
 HOUSING -- GLASS FILLED POLYMER, WHITE/NATURAL, UL 94V-0.
 TAIL ALIGNER -- GLASS FILLED POLYMER, WHITE/NATURAL, UL 94V-0.
 CONTACTS -- COPPER ALLOY.
 MICROCROSS GROUND -- COPPER ALLOY.
 - PLATING: SEE SHEET 2
 - PRODUCT CONFORMS TO MOLEX PRODUCT SPECIFICATION NUMBER PS-74320-001.
 - SEE SHEET 2 FOR RECOMMENDED PANEL CUT-OUT AND P.C.B. LAYOUT.
 - PARTS WILL BE PACKAGED IN TRAYS PER PK-74320-044.
 - PRODUCT CONFORMS TO DDWG DVI SPECIFICATION. REFER TO THIS SPECIFICATION FOR CONNECTOR MATING DIMENSIONS.
 - MOUNTING HARDWARE IS MOLEX P/N 88780-6066. REFER TO PRODUCT SPECIFICATION NUMBER PS-74320-001 FOR THE APPLICATION TORQUE REQUIREMENT FOR ASSEMBLING MOUNTING HARDWARE.
- △ CAVITY NO. AND MANUFACTURING PLANT CODE.



MODIFICATION	DESCRIPTION	QUALITY SYMBOLS	GENERAL TOLERANCES: (UNLESS SPECIFIED)		SCALE 4 : 1	DESIGN UNITS <input type="checkbox"/> mm <input checked="" type="checkbox"/> INCH	DRAWN BY & DATE TONY ZHANG 03/03/04	TITLE: DVI - I RIGHT ANGLE RECEPTACLE CONNECTOR W/FORKLOCK	DIMENSIONS:		SHT	REV
			mm	INCH					<input type="checkbox"/> mm <input checked="" type="checkbox"/> INCH	<input type="checkbox"/> mm ONLY		
EC NO. SH2005-0249	DRWG: DXUE 2005/2/2	MAJOR	4 PLACES	±0.---	±.---		CHECKED BY & DATE WU YAJUN 03/03/18	<input checked="" type="checkbox"/> THIRD ANGLE <input type="checkbox"/> PROJECTION	<input type="checkbox"/> mm <input checked="" type="checkbox"/> INCH <input type="checkbox"/> mm ONLY			
CHK: HARVEY 2005/2/2	APPR: VINCENT 2005/2/2	CRITICAL	3 PLACES	±0.---	±.010	APPROVED BY & DATE SAM HUANG 03/03/24						
			2 PLACES	±0.25	±.010							
			1 PLACE	±0.25	±.010							
			ANGULAR: ± °									
			DRAFT WHERE APPLICABLE MUST REMAIN WITHIN DIMENSIONS									
			THIS DRAWING CONTAINS INFORMATION THAT IS PROPRIETARY TO MOLEX INCORPORATED AND SHOULD NOT BE USED WITHOUT WRITTEN PERMISSION.									SIZE C

NOTES:
 1. THESE DIMENSIONS REPRESENT CONNECTOR OVERLAY ON PCB.
 2. COMPONENT SIDE OF PCB SHOWN.



NOTE:
 1. PANEL THICKNESS: .030" - .040".

PLATING OPTIONS:
PLATING OPTION #1:
 OUTER SHIELD -- 150u"/(3.75um) MIN. BRIGHT TIN OVER 50u"/(1.27um) MIN. NICKEL OVER COPPER FLASH
 .075"/(1.91mm) CONTACTS -- 30u"/(0.75um) MIN. SELECT GOLD AND 100u"/(2.50um) MIN. SELECT PURE TIN OVER 50u"/(1.27um) MIN. NICKEL OVERALL.
PLATING OPTION #2:
 OUTER SHIELD -- 150u"/(3.75um) MIN. BRIGHT TIN OVER 50u"/(1.27um) MIN. NICKEL OVER COPPER FLASH
 .075"/(1.91mm) CONTACTS -- SELECT GOLD FLASH AND 100u"/(2.50um) MIN. SELECT PURE TIN OVER 50u"/(1.27um) MIN. NICKEL OVERALL.

MODIFICATION EC No. SH2005-0249 DRWN DXUE 2005/2/2 CHK: HARVEY 2005/2/2 APPR: VINCENT 2005/2/2	QUALITY SYMBOLS MAJOR CRITICAL	GENERAL TOLERANCES: (UNLESS SPECIFIED)		SCALE 4 : 1	DESIGN UNITS <input type="checkbox"/> mm <input checked="" type="checkbox"/> INCH	DIMENSIONS: <input type="checkbox"/> INCH ONLY <input type="checkbox"/> SHT <input type="checkbox"/> REV <input checked="" type="checkbox"/> mm <input checked="" type="checkbox"/> INCH <input type="checkbox"/> mm ONLY <input type="checkbox"/> mm ONLY <input type="checkbox"/> REVISE ON CAD ONLY	
		DRAWN BY & DATE TONY ZHANG 03/03/04		TITLE: DVI - I			
		CHECKED BY & DATE WU YAJUN 03/03/18		RIGHT ANGLE W/FORKLOCK RECEPTACLE CONNECTOR			
		APPROVED BY & DATE SAM HUANG 03/03/24		MOLEX INCORPORATED			
REV	DESCRIPTION	ANGULAR: ± °		CAD FILENAME SD74320025.S02	MATERIAL NO. SEE SHEET 1	DRAWING NO. SD-74320-025	SHEET NO. 2
DRAFT WHERE APPLICABLE MUST REMAIN WITHIN DIMENSIONS				THIS DRAWING CONTAINS INFORMATION THAT IS PROPRIETARY TO MOLEX INCORPORATED AND SHOULD NOT BE USED WITHOUT WRITTEN PERMISSION.			SIZE C