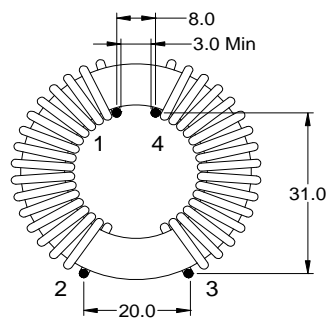


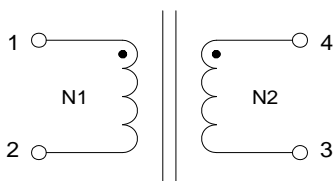
### SPECIFICATION

Customer:	Cust. ref:	DK-13418-B	Date	01/Apr/08
-----------	------------	------------	------	-----------

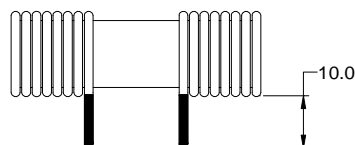
#### Final outline



Bottom View



Schematic



Front View

Stick label on the packing box

Rubber Gasket,50x11x1.0mm

1Pcs

Metal Disc,OD35X4.2xT1.0mm

2Pcs

Label content:

P/N: DK-13418-B  
 Qty: \*\*\* Pcs  
 Date code: W yyww

#### Winding construction

Step	Winding	Materials	Turns	Start Pin	Finish Pin	Sleeving	Remark
1	N1	EI/AIW,1.6mm,G2,200°C	18	1	2	N/A	
2	N2	EI/AIW,1.6mm,G2,200°C	18	4	3	N/A	

#### Materials List

No.	Mat. name	Description	Supplier	Qty
1	Core	Ferrite core,TX42/26/13-3C11	Ferroxcube	1Set
2	Alternative	Ferrite core,B64290L22X830	EPCOS	
3	Wire	Magnet wire,EI/AIW,1.6mm,G2,200°C		As winding
4	Rubber	Rubber Gasket,50x11x1.0mm		2Pcs
5	Disc	Metal Disc,OD35X4.2xT1.0mm		1Pcs

#### Electrical Characteristic

Item	Test Item	Pin No.	Value	Unit	Test condition
1	Open circuitry inductance	1-2	1.2 - 2.0	mH	10KHz,0.3Vrms
2	Open circuitry inductance	4-3	1.2 - 2.0	mH	10KHz,0.3Vrms

				<b>Noratel Zhuhai</b>	SIGNATURE	DATE
				Revision No. A	DESIGNED Tiger Li	01/Apr/08
				PAGE 1/1	CHECKED Tiger Li	01/Apr/08
A	First release Weike spec.	N/A	1/Apr/08		APPROVED DY Wang	01/Apr/08
Rev	Description	ECN No.	Date	CHOKE	<b>DK-13418-B</b>	