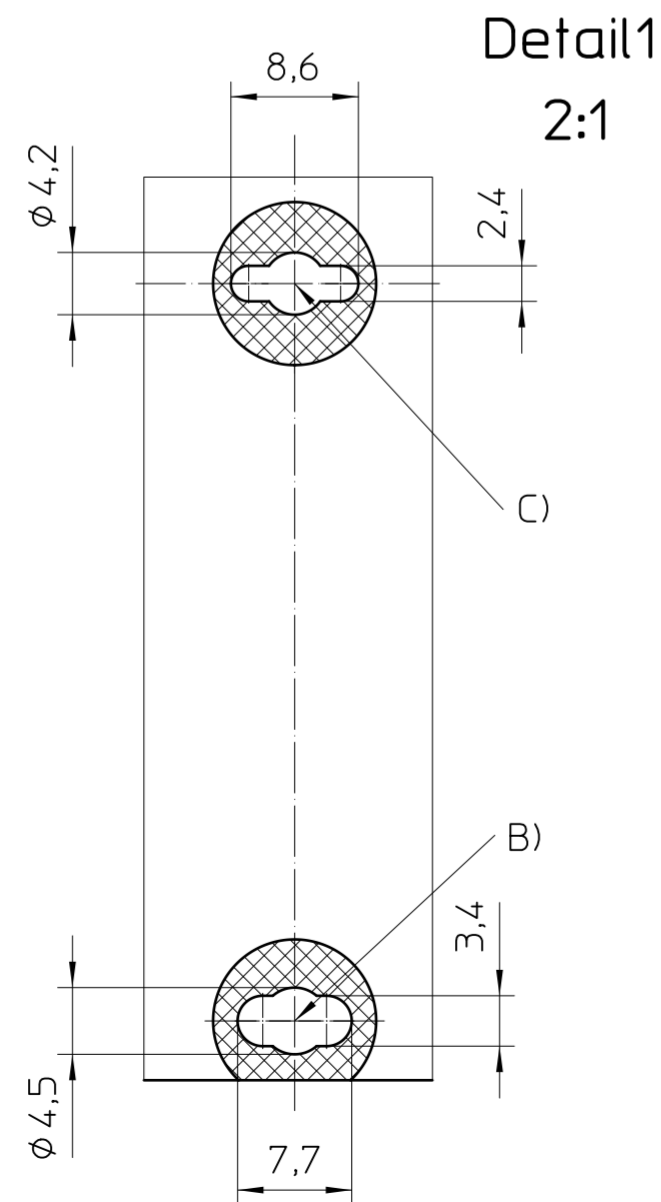
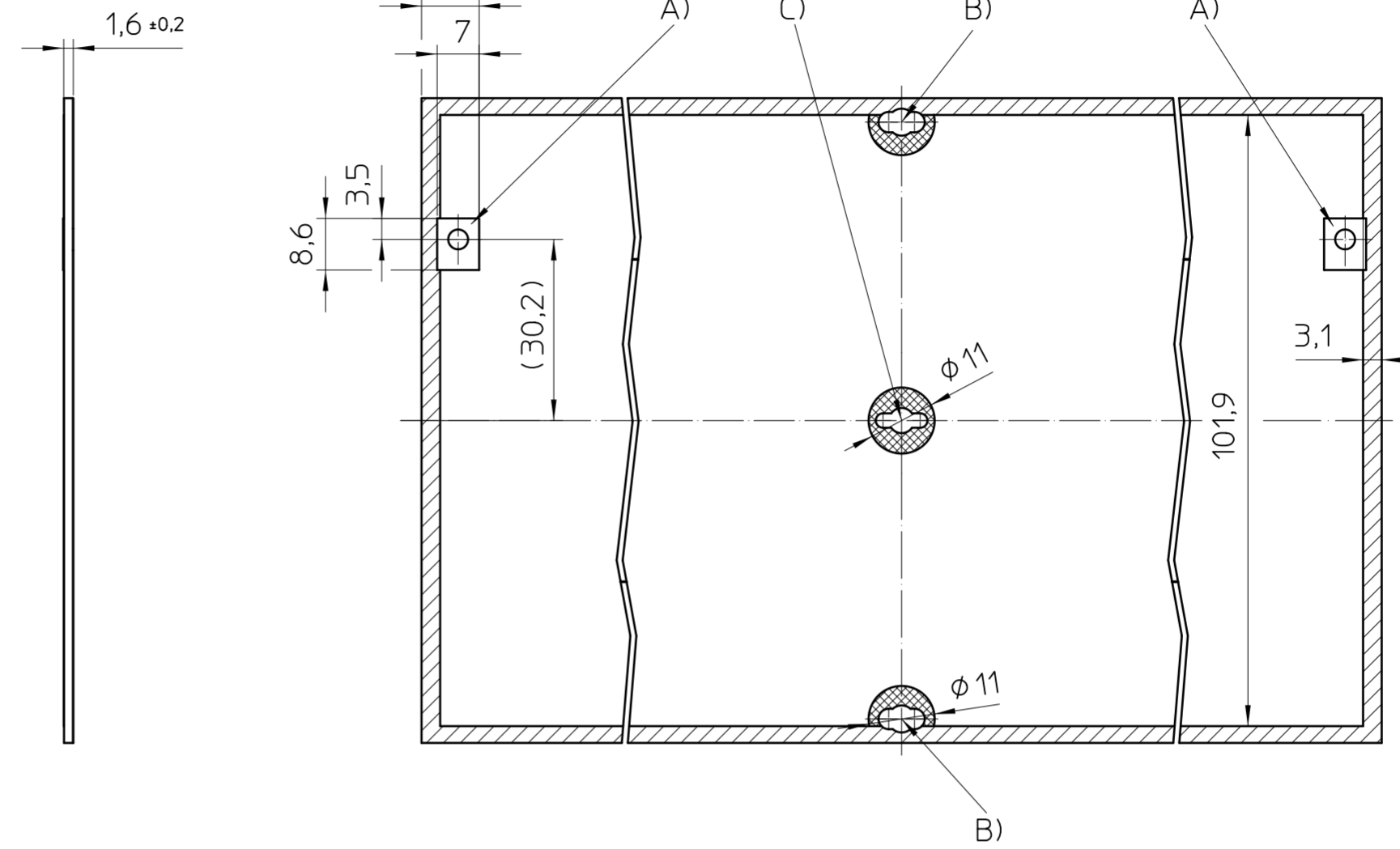
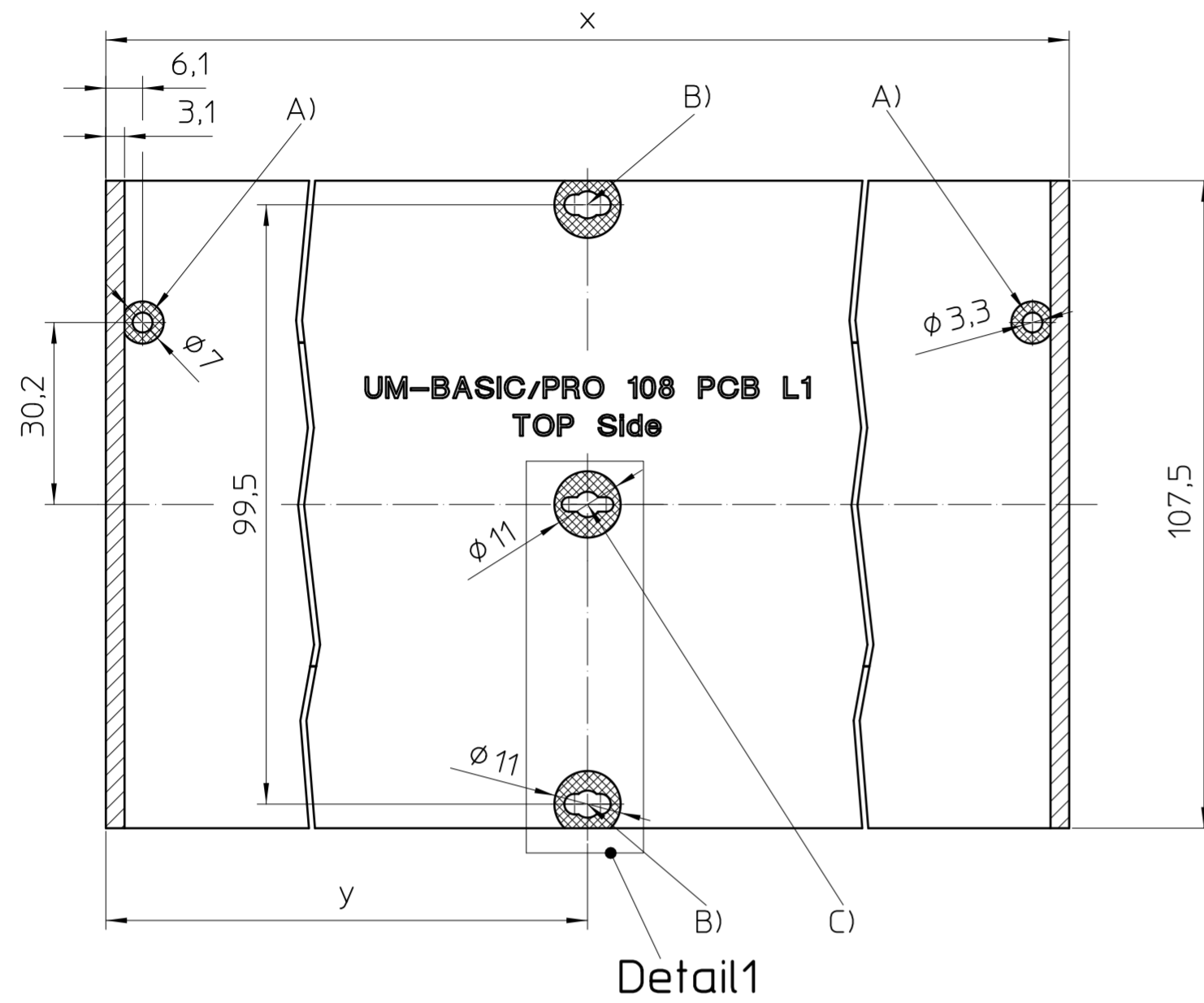


Recommended PCB for: UM-PRO 108 and UM-BASIC 108



General Information:

- Simplified representation
- Document excluded from change process
- Linear dimensions [mm]
- Web: www.phoenixcontact.com webcode: #0314 / #0313

Addition Information

- General tolerances for PCB: dimensions ≤ 30 : $\pm 0,1/R \pm 0,2/\pm 1^\circ$
dimensions > 30 : $\pm 0,15/R \pm 0,2/\pm 1^\circ$
symmetry: 0,2

-  Restricted area, no components

-  Restricted area, optional

Additional Information:

A) Optional drilling hole, restricted area and recommended Sn-plated pad for UM-PRO PE CONTACT L1

B) Optional cutout and restricted area for UM-PRO PCB S-LOCK

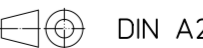

C) Optional cutout and restricted area for UM-PRO PCB C-LOCK L1

X: PCB length (profile length= $X-16,2$; module length= $X+3,8$)

Y: Position of optional cutouts with restricted areas ; Range: $Y=8,6 \dots (X-8,6)$

Transfer or duplication of this document as well as the utilisation or communication of its content are not permitted unless express consent is granted. Violations give rise to claims for damages. All rights reserved in case of patent, utility model or design patent registrations.

Weitergabe sowie Vervielfältigung dieses Dokuments, Verwertung und Mitteilung seines Inhalts sind verboten, soweit nicht ausdrücklich gestattet. Zuwiderhandlungen verpflichten zu Schadensersatz. Alle Rechte für den Fall der Patent-, Gebrauchsmuster- oder Designeintragung vorbehalten.

 DIN A2 	document-No. / RI 00533657 / 02	date 22.05.2025	scale 1:1
	ident.-No. 2200148	document-type TECDCOC 2D_PCB-Outline	
page 1 of 1	description UM-PRO PROFILE		