

SUBCON-PLUS-ARCNET/AX/SC038 - D-SUB bus connector



2903271

<https://www.phoenixcontact.com/dk/products/2903271>

Please be informed that the data shown in this PDF document is generated from our online catalog. Please find the complete data in the user documentation. Our general terms of use for downloads are valid.



D-SUB plug, 9-pos., pin, axial version with two cable entries, bus system: ARCnet, termination resistor can be switched on via slide switch, pin assignment: 3, 8; screw connection terminal blocks

Commercial data

Item number	2903271
Packing unit	1 pc
Minimum order quantity	50 pc
Sales key	DNC5Z1
Product key	DNC5Z1
GTIN	4046356731218
Weight per piece (including packing)	37,41 g
Weight per piece (excluding packing)	30,01 g
Customs tariff number	85366990
Country of origin	DE

SUBCON-PLUS-ARCNET/AX/SC038 - D-SUB bus connector



2903271

<https://www.phoenixcontact.com/dk/products/2903271>

Technical data

Notes

Note on application

Note on application	Only for industrial use
---------------------	-------------------------

Product properties

Product type	Data plug
--------------	-----------

Electrical properties

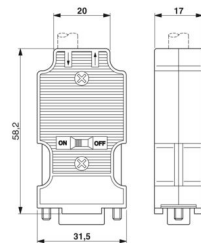
Nominal voltage U_N	50 V
Nominal current I_N	100 mA

Connection data

D-SUB connection

Connection method	D-SUB socket
Connection method	Screw connection
Conductor cross-section, rigid min.	0.14 mm ²
Conductor cross-section, rigid max.	1.5 mm ²
Conductor cross-section flexible min.	0.14 mm ²
Conductor cross-section flexible max.	1 mm ²
Single-wire/terminal point, rigid AWG min.	26
Single-wire/terminal point, rigid AWG max.	16
Min. AWG conductor cross-section, flexible	26
Max. AWG conductor cross-section, flexible	18

Dimensions

Dimensional drawing	
Width	17 mm
Height	31.5 mm
Length	58.2 mm

Cable/line

External cable diameter	7.6 mm ... 8.4 mm (Incoming bus line)
-------------------------	---------------------------------------

Mechanical properties

SUBCON-PLUS-ARCNET/AX/SC038 - D-SUB bus connector



2903271

<https://www.phoenixcontact.com/dk/products/2903271>

Mechanical data

Insertion/withdrawal cycles	> 200
Fixing screws	4-40 UNC
Tightening torque	0.4 Nm

Mechanical tests

Vibration resistance in accordance with EN 60068-2-6/IEC 60068-2-6	Vibration (operation): 5g, 10...150 Hz, 2.5 h, in XYZ direction
Shock in accordance with EN 60068-2-27/IEC 60068-2-27	Shock (operation): 15g, 11 ms period, half-sine shock pulse

Environmental and real-life conditions

Ambient conditions

Degree of protection	IP40
Ambient temperature (operation)	-20 °C ... 75 °C
Ambient temperature (storage/transport)	-25 °C ... 80 °C
Altitude	≤ 5000 m (For restrictions, see the manufacturer's declaration for altitude operation)
Permissible humidity (operation)	10 % ... 95 % (non-condensing)
Permissible humidity (storage/transport)	5 % ... 95 % (non-condensing)

Approvals

Corrosive gas test

Identification	ISA-S71.04-1985 G3 Harsh Group A
----------------	----------------------------------

Standards and regulations

Free from substances that could impair the application of coating	VDMA 24364:2018-05
---	--------------------

SUBCON-PLUS-ARCNET/AX/SC038 - D-SUB bus connector

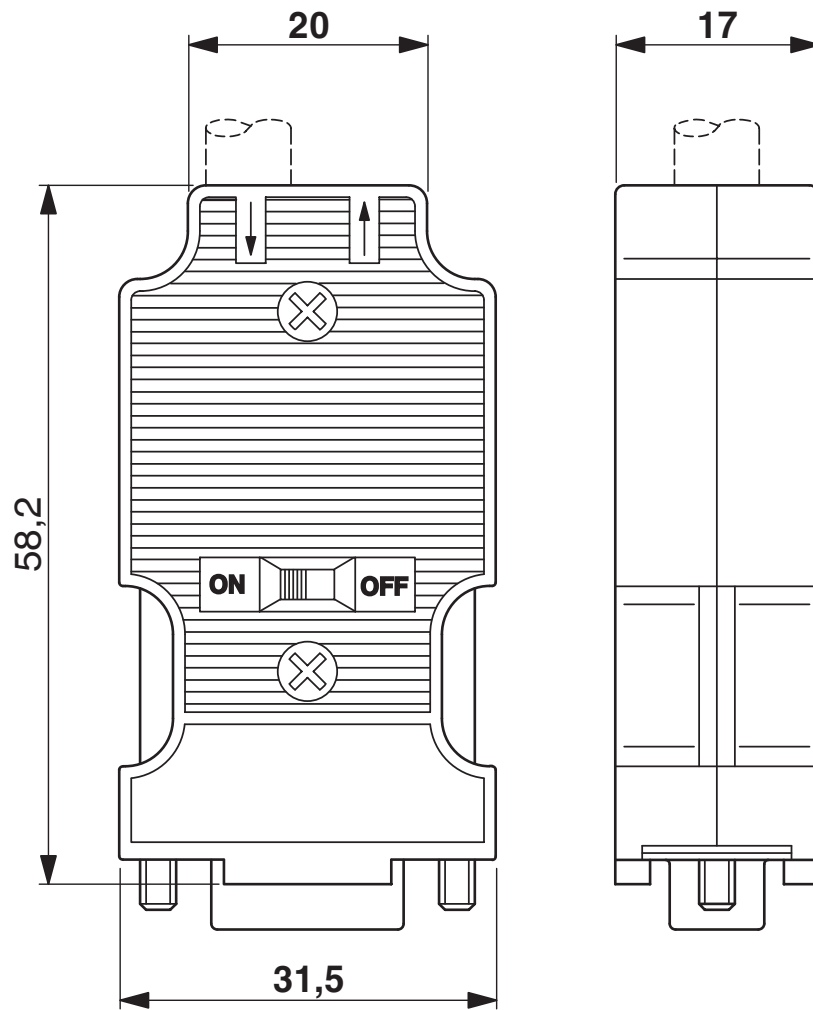


2903271

<https://www.phoenixcontact.com/dk/products/2903271>

Drawings

Dimensional drawing



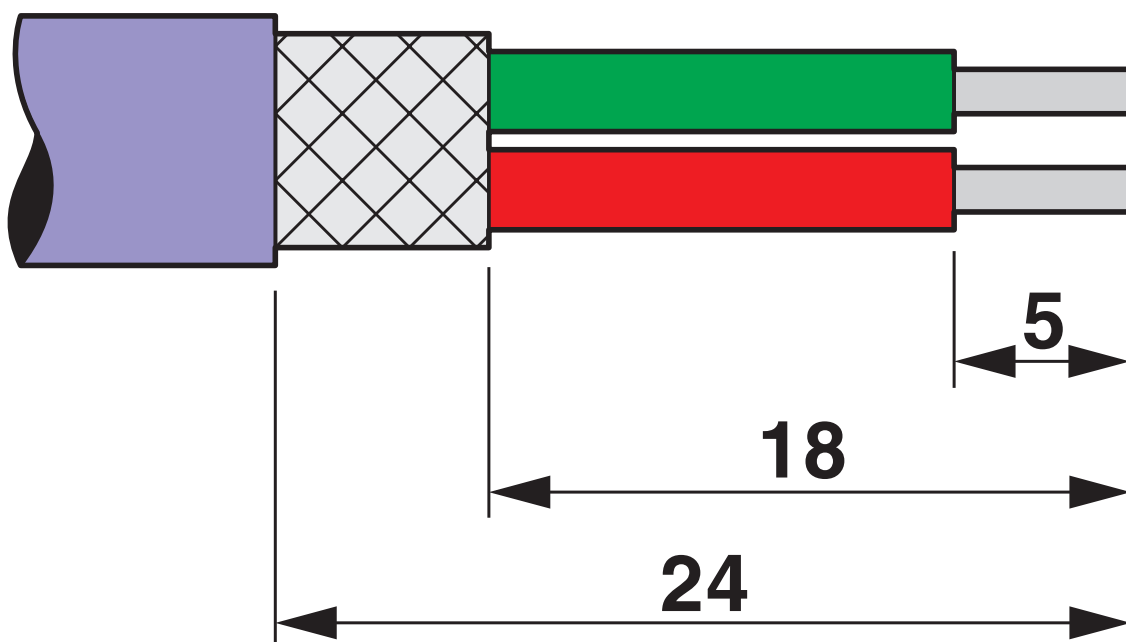
Dimensional drawing

SUBCON-PLUS-ARCNET/AX/SC038 - D-SUB bus connector

2903271

<https://www.phoenixcontact.com/dk/products/2903271>

Schematic diagram



Stripping specifications

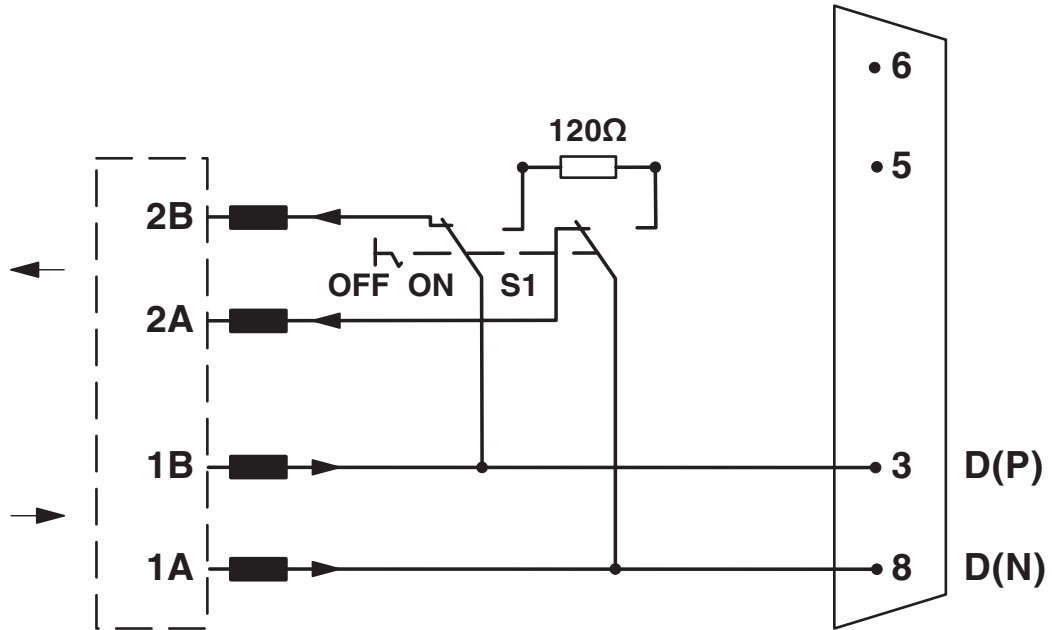
SUBCON-PLUS-ARCNET/AX/SC038 - D-SUB bus connector



2903271

<https://www.phoenixcontact.com/dk/products/2903271>

Circuit diagram



Circuit diagram

SUBCON-PLUS-ARCNET/AX/SC038 - D-SUB bus connector



2903271

<https://www.phoenixcontact.com/dk/products/2903271>

Classifications

ECLASS

ECLASS-13.0	27440302
ECLASS-15.0	27440322

ETIM

ETIM 10.0	EC001132
-----------	----------

UNSPSC

UNSPSC 21.0	39121400
-------------	----------

SUBCON-PLUS-ARCNET/AX/SC038 - D-SUB bus connector



2903271

<https://www.phoenixcontact.com/dk/products/2903271>

Environmental product compliance

EU RoHS

Fulfills EU RoHS substance requirements	Yes, No exemptions
---	--------------------

China RoHS

Environment friendly use period (EFUP)	EFUP-E
	No hazardous substances above the limits

EU REACH SVHC

REACH candidate substance (CAS No.)	No substance above 0.1 wt%
-------------------------------------	----------------------------

Phoenix Contact 2026 © - all rights reserved
<https://www.phoenixcontact.com>

PHOENIX CONTACT A/S
Hammerholmen 43C, 1. tv.
DK-2650 Hvidovre
36 77 44 11
kundeservice@phoenixcontact.dk