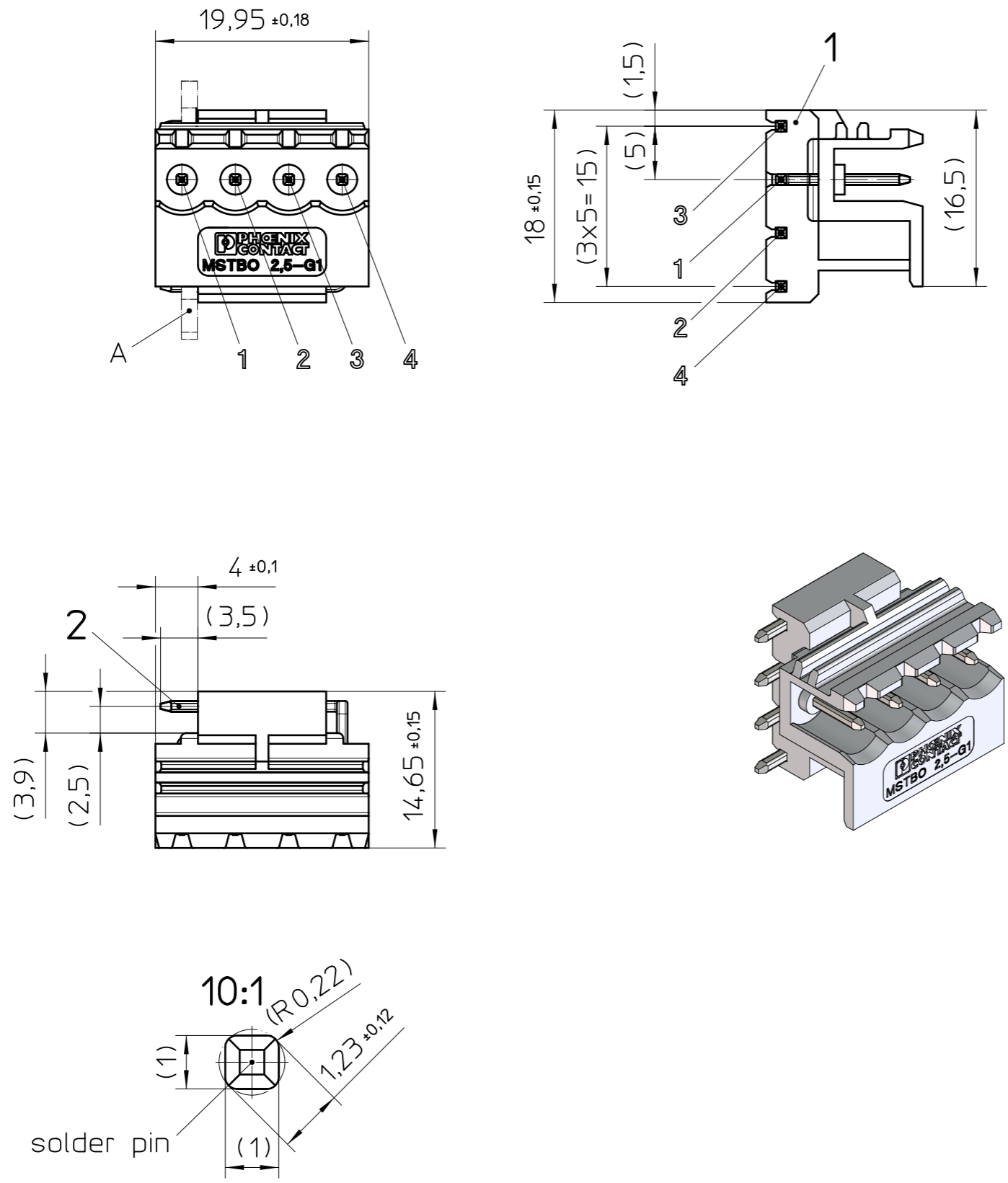
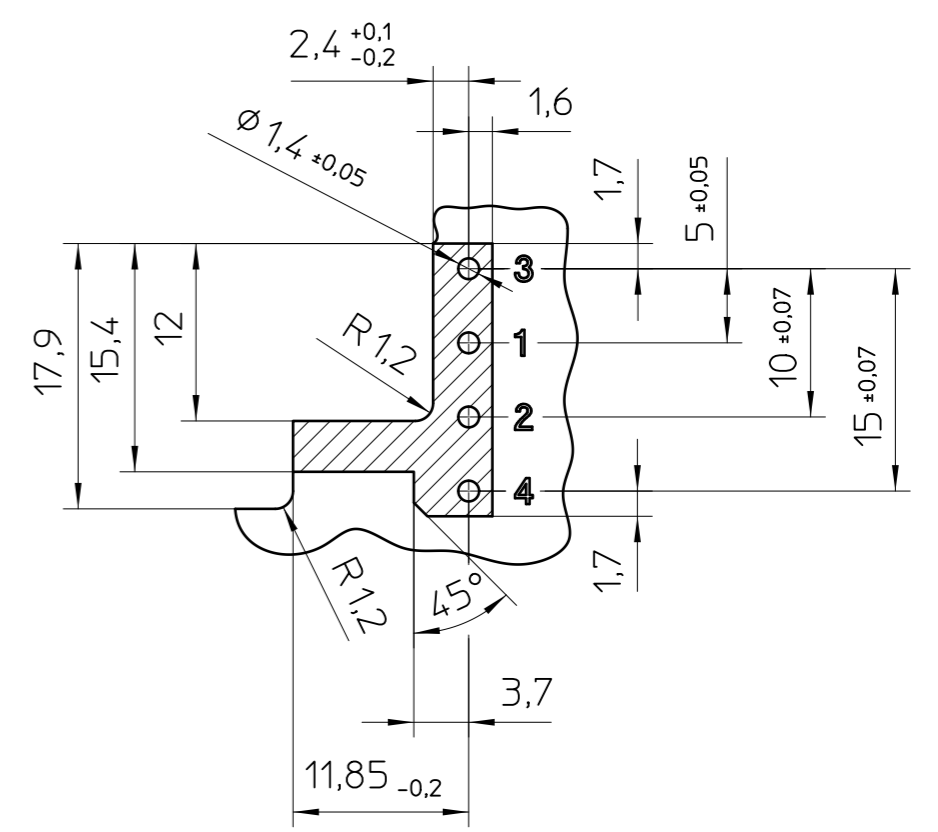


Transfer or duplication of this document as well as the utilisation or communication of its content are not permitted unless express consent is granted. Violations give rise to claims for damages. All rights reserved in case of patent, utility model or design patent registrations. Tolerance specifications do not include clearances inherent in the design.

Weitergabe sowie Vervielfältigung dieses Dokuments, Verwertung und Mitteilung seines Inhalts sind verboten, soweit nicht ausdrücklich gestattet. Zuwiderhandlungen verpflichten zu Schadenersatz. Alle Rechte für den Fall der Patent-, Gebrauchsmuster- oder Designeintragung vorbehalten. Bauartbedingtes Spiel ist in den Toleranzangaben nicht berücksichtigt.



Recommended PCB



General Information:

- Simplified representation, exemplary shown in gray
- Tolerances, apply in a normal climate according to DIN EN ISO 291-23/50-2, PA plastic parts with about 2% (% by weight) moisture content.
- When using this connection technology in housing systems from Phoenix Contact see the appropriate documentation.
- Restricted area
- General tolerances PCB:  
 dimensions ≤ 30: ±0,1/R±0,2/±1°  
 dimensions > 30: ±0,15/R±0,2/±1°  
 symmetry: 0,2
- Web: [www.phoenixcontact.com](http://www.phoenixcontact.com)

Additional Information  
 A. PCB t=1,6±0,2

Pos.	QTY	Description	Material
1	1	HOUSING	PA
2	4	SOLDER PIN	Cu alloy

DIN A3 	document-no. / ri	article-no.	scale	- Simplified representation - Document excluded from change process - Linear dimensions [mm]
	00542524 / 09	1861060	2:1	
date	document-type			
24.10.2025	TECDOC 2D_Productdrawing			
description		MSTBO 2,5/ 4-G1L		
page 1	of 1			