

VS-PSC 1,5/3-M PE - PCB header

1689336

<https://www.phoenixcontact.com/dk/products/1689336>



Please be informed that the data shown in this PDF document is generated from our online catalog. Please find the complete data in the user documentation. Our general terms of use for downloads are valid.

POWER-SUBCON header, for mounting side, shielded, color: green



Commercial data

Item number	1689336
Packing unit	10 pc
Minimum order quantity	10 pc
Note	Made to order (non-returnable)
Sales key	ABNCAB
Product key	ABNCAB
GTIN	4017918893187
Weight per piece (including packing)	6,89 g
Weight per piece (excluding packing)	5,48 g
Customs tariff number	85366990
Country of origin	PL

Technical data

Notes

Notes on operation	Only actuate MINI COMBICON connectors when under no load condition. If for operating reasons small loads must be switched, experimental values are available upon request.
--------------------	----------------------------------------------------------------------------------------------------------------------------------------------------------------------------

Product properties

Product type	Contact insert
Application	leading PE contact
Type	D-SUB
Number of positions	3

Insulation characteristics

Overvoltage category	III
Degree of pollution	3

Electrical properties

Rated voltage (III/3)	250 V
Rated surge voltage	4 kV
Rated current	8 A
Contact resistance	3 mΩ
Insulation resistance	1 TΩ
Transmission medium	Copper

Connection data

Connection method	PCB connection
-------------------	----------------

Dimensions

Width	30.8 mm
Height	13.7 mm
Length	20.8 mm

Material specifications

Flammability rating according to UL 94	V0
Contact material	Copper alloy
Contact surface material	tin-plated
Contact carrier material	PA

Mechanical properties

Mechanical data

Insertion/withdrawal cycles	≥ 100
-----------------------------	-------

Environmental and real-life conditions

VS-PSC 1,5/3-M PE - PCB header



1689336

<https://www.phoenixcontact.com/dk/products/1689336>

Ambient conditions

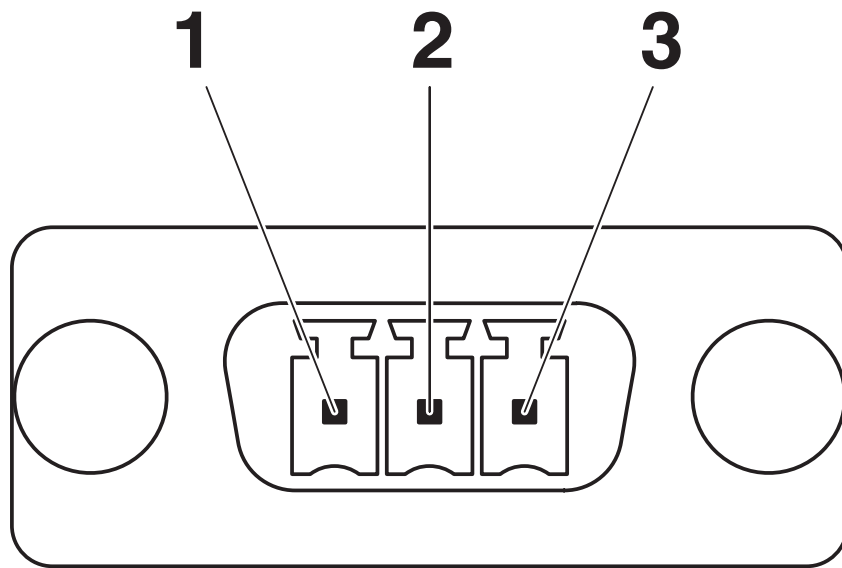
Degree of protection	IP20
Ambient temperature (operation)	-20 °C ... 80 °C

Mounting

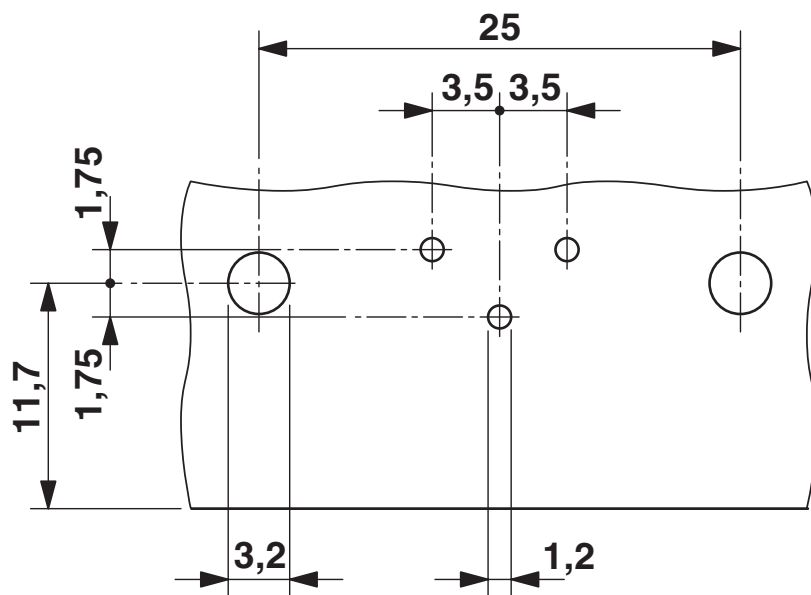
Mounting type	Threads
---------------	---------

Drawings

Schematic diagram



Drilling plan/solder pad geometry



Drilling diagram

VS-PSC 1,5/3-M PE - PCB header



1689336

<https://www.phoenixcontact.com/dk/products/1689336>

Classifications

ECLASS

ECLASS-13.0	27440302
ECLASS-15.0	27440323

ETIM

ETIM 10.0	EC001132
-----------	----------

UNSPSC

UNSPSC 21.0	39121400
-------------	----------

VS-PSC 1,5/3-M PE - PCB header



1689336

<https://www.phoenixcontact.com/dk/products/1689336>

Environmental product compliance

EU RoHS

Fulfills EU RoHS substance requirements	Yes, No exemptions
-----------------------------------------	--------------------

China RoHS

Environment friendly use period (EFUP)	EFUP-E
	No hazardous substances above the limits

EU REACH SVHC

REACH candidate substance (CAS No.)	No substance above 0.1 wt%
-------------------------------------	----------------------------

Phoenix Contact 2026 © - all rights reserved
<https://www.phoenixcontact.com>

PHOENIX CONTACT A/S
Hammerholmen 43C, 1. tv.
DK-2650 Hvidovre
36 77 44 11
kundeservice@phoenixcontact.dk