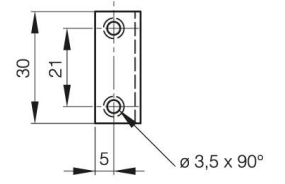
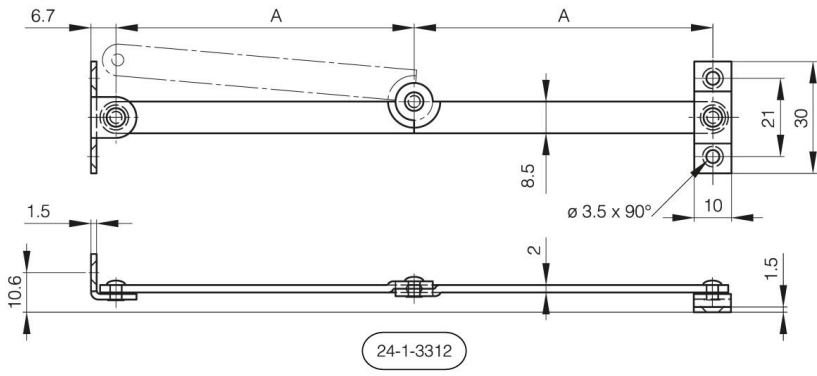




BLACK ZINC PLATED STAYS A

24-1-3311

A (length)	80 mm
Material	steel
Weight (g)	34 g
Finish	black zinc plated



24-1-3311