

MAE 25 Series

15W SINGLE & DUAL OUTPUT DC/DC INDUSTRIAL

Features

- 2:1 Input range
- Regulated outputs
- Efficiency to 82 %
- Conducted EMI meet EN 55022 class A
- Six-sided shield



Specifications

INPUT

Nominal voltage	24V, 48V.
Voltage range	18-36V, 36-72V.
Isolation	500VDC.
Filter	PI-type

OUTPUT

Power	15W.
Regulation	Line: $\pm 0.2\%$. Load: $\pm 1\%$. 25% min load is required to meet specification.
Min load	10%.
Load transient response	<480 μ s.
Setting Accuracy	$\pm 1\%$.
Ripple and noise	Max. 90 mVp-p.
Short circuit protection	Fold-back. Approx 80% of output current at short circuit.
Temp coefficient	$\pm 0.02\%$ /°C.
Efficiency	78% to 82%.

ENVIRONMENTAL

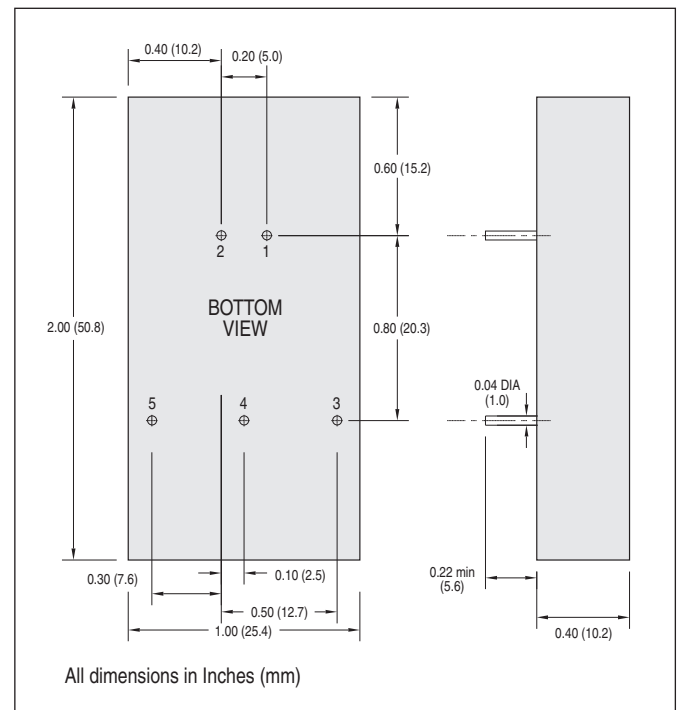
Operating temperature	-25°C to +71°C.
Storage temperature	-40°C to +100°C.
Cooling	Convection.

GENERAL

MTTF	200 000 hours at 25°C ambient.
Switching frequency	Min. 200 kHz.
Equivalent capacitance	3000 pF.
Case	Black coated copper with non-conductive base.
Dimensions (H x W x L)	10.2 x 25.4 x 50.8 mm.
Weight	35g.

STANDARDS

RFI/EMI standards	EN55022 class A.
-------------------	------------------



MAE 25 Series

15W SINGLE & DUAL OUTPUT DC/DC INDUSTRIAL

POWERBOX ARTICLE NUMBER	INPUT VOLTAGE VDC	OUTPUT VOLTAGE VDC	OUTPUT CURRENT mA	INPUT CURRENT NO LOAD mA	INPUT CURRENT FULL LOAD mA
MAE 25 003	18-36	5	3000	20	800
MAE 25 006	18-36	12	1250	20	780
MAE 25 009	18-36	15	1000	20	780
MAE 25 012	18-36	±5	1500	30	780
MAE 25 015	18-36	±12	625	30	780
MAE 25 018	18-36	±15	500	30	780
MAE 25 021	36-72	5	3000	10	390
MAE 25 024	36-72	12	1250	10	380
MAE 25 027	36-72	15	1000	10	380
MAE 25 030	36-72	±5	1500	15	380
MAE 25 033	36-72	±12	625	15	380
MAE 25 036	36-72	±15	500	15	380

PIN CONNECTION

PIN	FUNCTION
1	+V Input
2	-V input
3	+V Output
4	Common/NP
5	-V Output

NP = No pin on single output.