



OSCILLATOR SPECIFICATION POS1516



Nominal Frequency	: 16.128 000 MHz.
Frequency Stability	: ± 50.0 ppm Maximum.
All Causes* ¹	: ± 5.0 ppm Maximum for first year.
Ageing* ²	
Temperature Range	
Operating	: 0 to + 70 °C.
Storage	: - 55 to + 125 °C.
Supply Voltage	: + 5.0 V ± 10.0 %.
Current	
Supply	: 20.0 mA Maximum.
Standby	: 10.0 µA Maximum.
Output Characteristics	
Waveform	: Squarewave.
Output	: HCMOS / TTL.
Load	: 50 pF or 10 TTL gates Maximum.
Mark Space Ratio	: 60:40 to 40:60 @ 1/2 V _{CC} .
Rise / Fall Times	: 10.0 ns Maximum.
Start up Time	: 10.0 ms Maximum.
Logic Levels	
High	: 0.9 V _{CC} Minimum.
Low	: 0.1 V _{CC} Maximum.
Pin 1	
High (≥ + 2.2 V) or Open	: Enable.
Low (≤ + 0.8 V)	: Disable.
Package Style	: 8 Pin DIL.
Marking	
Line 1	: PDI
Line 2	: Frequency
Line 3	: POS1516

Notes

*¹ Inclusive of calibration @ + 25.0 °C, operating temperature range, input voltage variation, load variation, ageing, shock, and vibration.

*² Even though ageing is specified in 'All Causes', see *¹, this is a refinement to the 'All Causes' parameter. Terminals to be SnAgCu.

Product to be supplied in anti-static packaging.

Product to be supplied RoHS compliant.

All reels, boxes, and bags to be labelled RoHS compliant.

**PRECISION
DEVICES**
(UK) LIMITED

TEL: +44 (0)1223 834 444
FAX: +44 (0)1223 834 589
E-MAIL: sales@pdixtal.co.uk

ISO

ISO 9001
Reg. No. FM 01995

Eltech Components A/S

□ Hassellunden 14

DK-2765 Smørum

Fax +45 4320 0777

Tlf +45 7625 1818 - mail@eltechcomp.dk - www.eltechcomp.dk

□ Østervej 11

DK-5540 Ullerslev

Fax +45 7561 5658



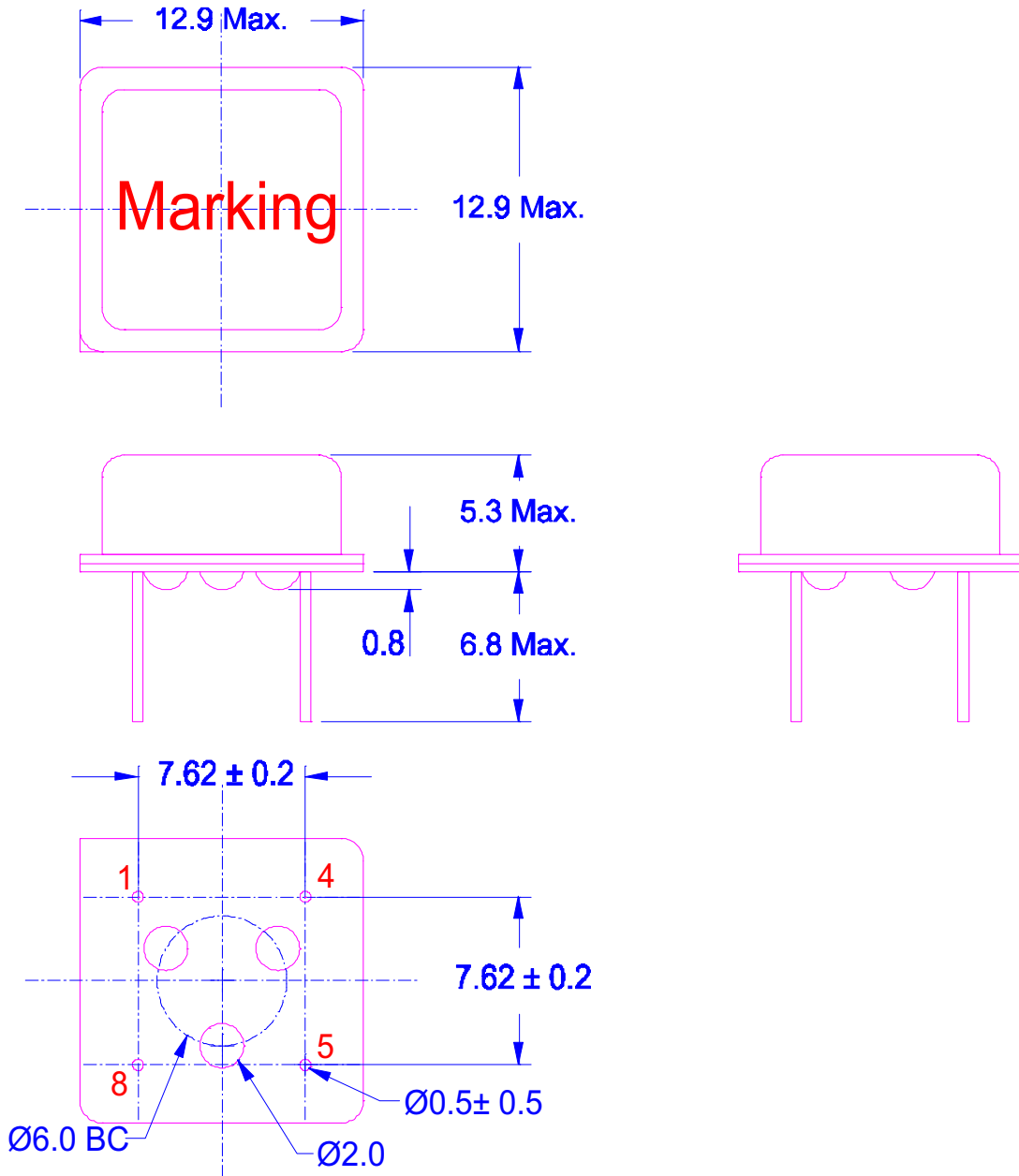
Revision 001 Created on 09/06/2009 by MS
Revision 002 Updated on 07/12/2010 by MS Correct Pin Numbers.



OSCILLATOR SPECIFICATION POS1516



Package Drawing



**PRECISION
DEVICES**
(UK) LIMITED

TEL: +44 (0)1223 834 444
FAX: +44 (0)1223 834 589
E-MAIL: sales@pdixtal.co.uk

ISO
ISO 9001
Reg. No. FM 01995

Pin Connections

- 1 Tri-State
- 4 Ground
- 5 Output
- 8 Supply Voltage

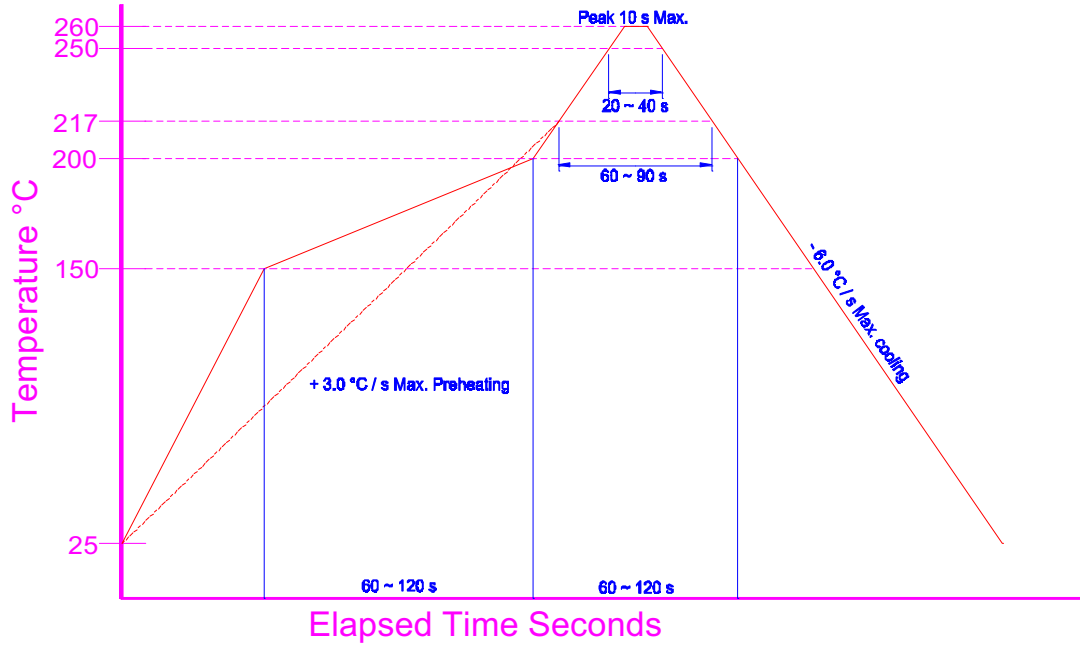
All Dimensions and Tolerances are in mm



OSCILLATOR SPECIFICATION POS1516



Reflow Solder Profile



PRECISION DEVICES (UK) LIMITED

TEL: +44 (0)1223 834 444
FAX: +44 (0)1223 834 589
E-MAIL: sales@pdixtal.co.uk

ISO
ISO 9001
Reg. No. FM 01995