



## OSCILLATOR SPECIFICATION POS2185



<b>Nominal Frequency</b>	: 24.000 000 MHz.
<b>Frequency Stability</b>	
All Causes* <sup>1</sup>	: ± 100.0 ppm Maximum.
Ageing* <sup>2</sup>	: ± 5.0 ppm Maximum for first year.
<b>Temperature Range</b>	
Operating	: - 40 to + 85 °C.
Storage	: - 55 to + 125 °C.
<b>Supply Voltage</b>	: + 5.0 V ± 10.0 %.
<b>Supply Current</b>	: 30.0 mA Maximum.
<b>Output Characteristics</b>	
Waveform	: Squarewave.
Output	: HCMOS / TTL.
Load	: 50 pF or 10 TTL gates Maximum.
Mark Space Ratio	: 60:40 to 40:60 @ 1/2 V <sub>CC</sub> .
Rise / Fall Times	: 10.0 ns Maximum.
Start up Time	: 10.0 ms Maximum.
Logic Levels	
High	: 0.9 V <sub>CC</sub> Minimum.
Low	: 0.1 V <sub>CC</sub> Maximum.
Pin 1	
High (≥ + 70 % V <sub>CC</sub> ) or Open	: Enable.
Low (≤ + 30 % V <sub>CC</sub> )	: Disable.
<b>Package Style</b>	: 8 Pin DIL.
<b>Marking</b>	
Line 1	: <b>PDI</b>
Line 2	: Frequency
Line 3	: POS2185

### Notes

\*<sup>1</sup> Inclusive of calibration @ + 25.0 °C, operating temperature range, input voltage variation, load variation, ageing, shock, and vibration.

\*<sup>2</sup> Even though ageing is specified in 'All Causes', see \*<sup>1</sup>, this is a refinement to the 'All Causes' parameter. Terminals to be SnAgCu.

Product to be supplied in anti-static packaging.

Product to be supplied RoHS compliant.

All reels, boxes, and bags to be labelled RoHS compliant.

**PRECISION  
DEVICES**  
(UK) LIMITED

TEL: +44 (0)1223 834 444  
FAX: +44 (0)1223 834 589  
E-MAIL: sales@pdixtal.co.uk

**Eltech A/S**  
...en bedre løsning!

□ Hassellunden 14  
DK-2765 Smørum  
Fax +45 4320 0777  
Tlf +45 7010 1410 – mail@eltech.dk – www.eltech.dk

□ Vestergade 11a  
DK-5540 Ullerslev  
Fax +45 6535 1575

**ISO**

ISO 9001  
Reg. No. FM 01995

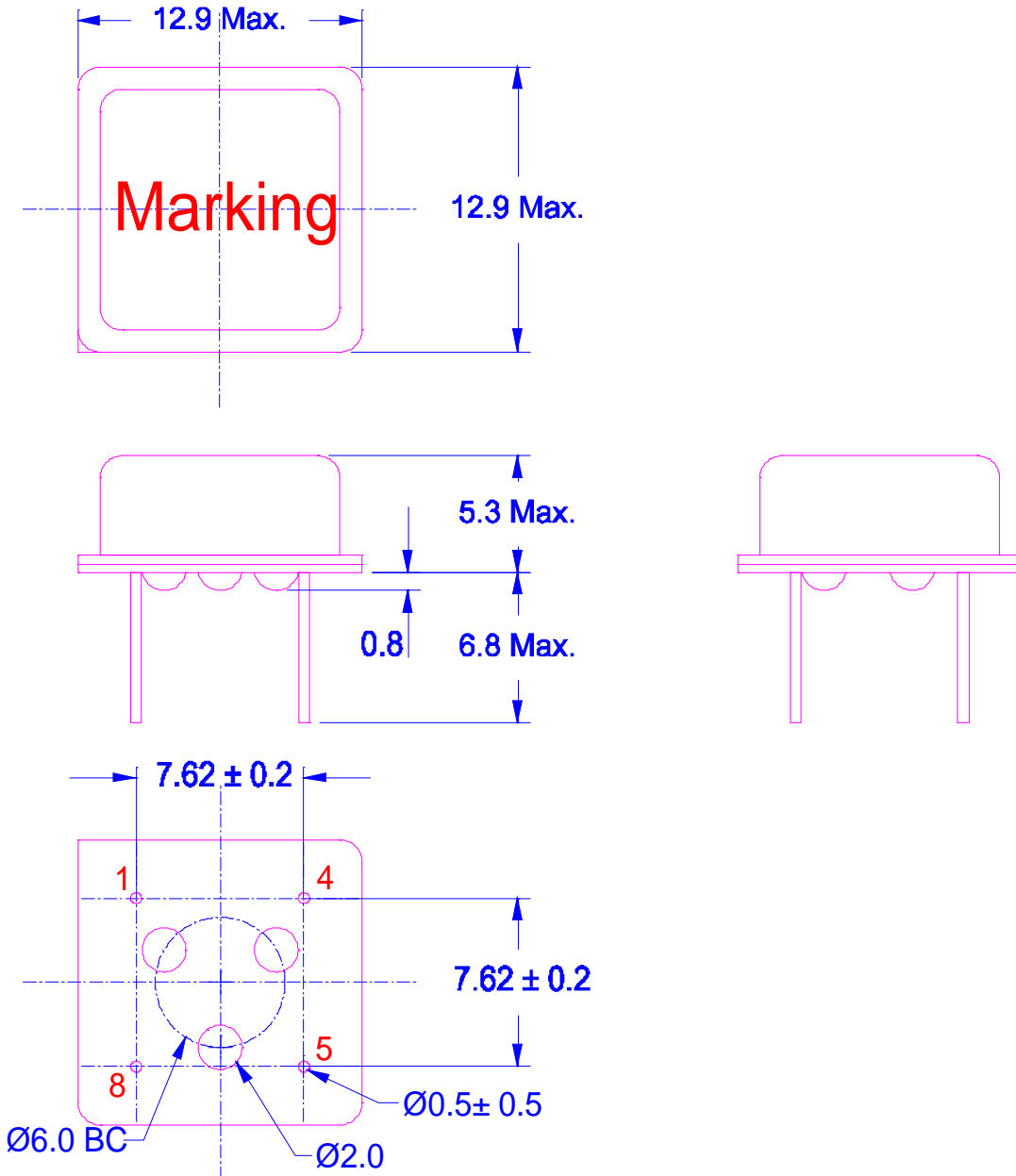
Revision 001 Created on 02/05/2012 by MS



# OSCILLATOR SPECIFICATION POS2185



Package Drawing



**PRECISION  
DEVICES  
(UK) LIMITED**

TEL: +44 (0)1223 834 444  
FAX: +44 (0)1223 834 589  
E-MAIL: sales@pdixtal.co.uk

**ISO**  
ISO 9001  
Reg. No. FM 01995

**Pin Connections**

- 1 Tri-State
- 4 Ground
- 5 Output
- 8 Supply Voltage

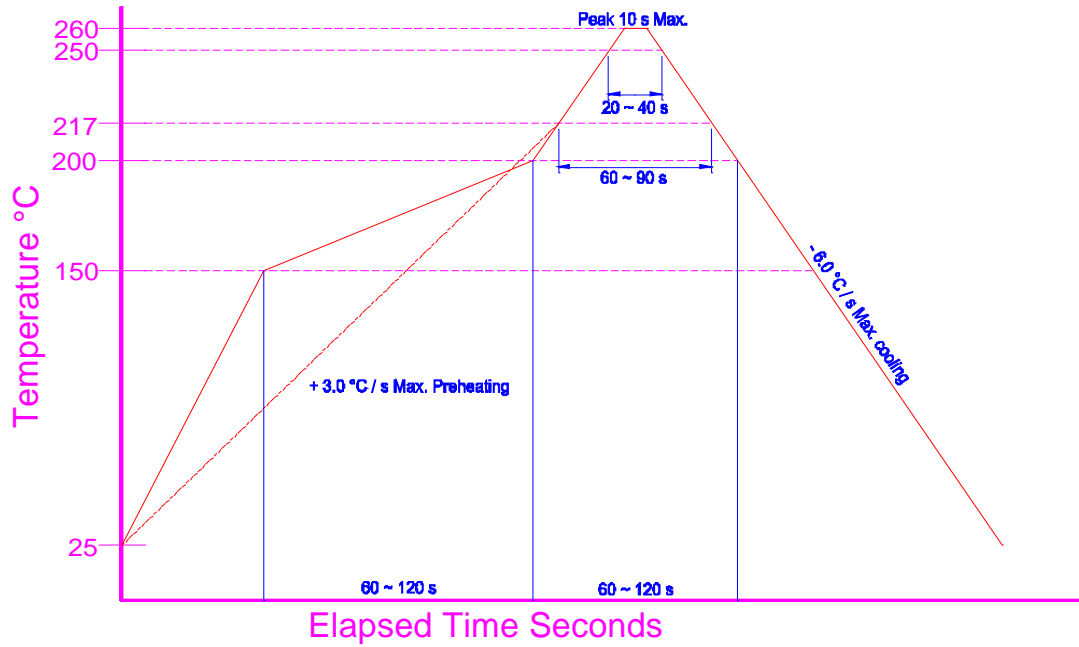
All Dimensions and Tolerances are in mm



# OSCILLATOR SPECIFICATION POS2185



## Reflow Solder Profile



### PRECISION DEVICES (UK) LIMITED

TEL: +44 (0)1223 834 444  
FAX: +44 (0)1223 834 589  
E-MAIL: sales@pdixtal.co.uk

**ISO**  
ISO 9001  
Reg. No. FM 01995