



OSCILLATOR SPECIFICATION POS2185



Nominal Frequency	: 24.000 000 MHz.
Frequency Stability	
All Causes* ¹	: ± 100.0 ppm Maximum.
Ageing* ²	: ± 5.0 ppm Maximum for first year.
Temperature Range	
Operating	: - 40 to + 85 °C.
Storage	: - 55 to + 125 °C.
Supply Voltage	: + 5.0 V ± 10.0 %.
Supply Current	: 30.0 mA Maximum.
Output Characteristics	
Waveform	: Squarewave.
Output	: HCMOS / TTL.
Load	: 50 pF or 10 TTL gates Maximum.
Mark Space Ratio	: 55:45 to 45:55 @ $\frac{1}{2} V_{CC}$.
Rise / Fall Times	: 10.0 ns Maximum.
Start up Time	: 10.0 ms Maximum.
Logic Levels	
High	: 0.9 V_{CC} Minimum.
Low	: 0.1 V_{CC} Maximum.
Pin 1	
High ($\geq + 70 \% V_{CC}$) or Open	: Enable.
Low ($\leq + 30 \% V_{CC}$)	: Disable.
Package Style	: 8 Pin DIL.
Marking	
Line 1	: PDI
Line 2	: Frequency
Line 3	: POS2185

Notes

*¹ Inclusive of calibration @ + 25.0 °C, operating temperature range, input voltage variation, load variation, ageing, shock, and vibration.

*² Even though ageing is specified in 'All Causes', see *¹, this is a refinement to the 'All Causes' parameter. Terminals to be SnAgCu.

Product to be supplied in anti-static packaging.

Product to be supplied RoHS compliant.

All reels, boxes, and bags to be labelled RoHS compliant.

**PRECISION
DEVICES**
(UK) LIMITED

TEL: +44 (0)1223 834 444
FAX: +44 (0)1223 834 589
E-MAIL: sales@pdixtal.co.uk

ISO
ISO 9001
Reg. No. FM 01995

Revision 001 Created on 02/05/2012 by MS
Revision 002 Updated on 11/05/2012 by MS MSR was 60:40.

Eltech A/S
...en bedre løsning!

□ Hassellunden 14
DK-2765 Smørum
Fax +45 4320 0777
Tlf +45 7010 1410 – mail@eltech.dk – www.eltech.dk

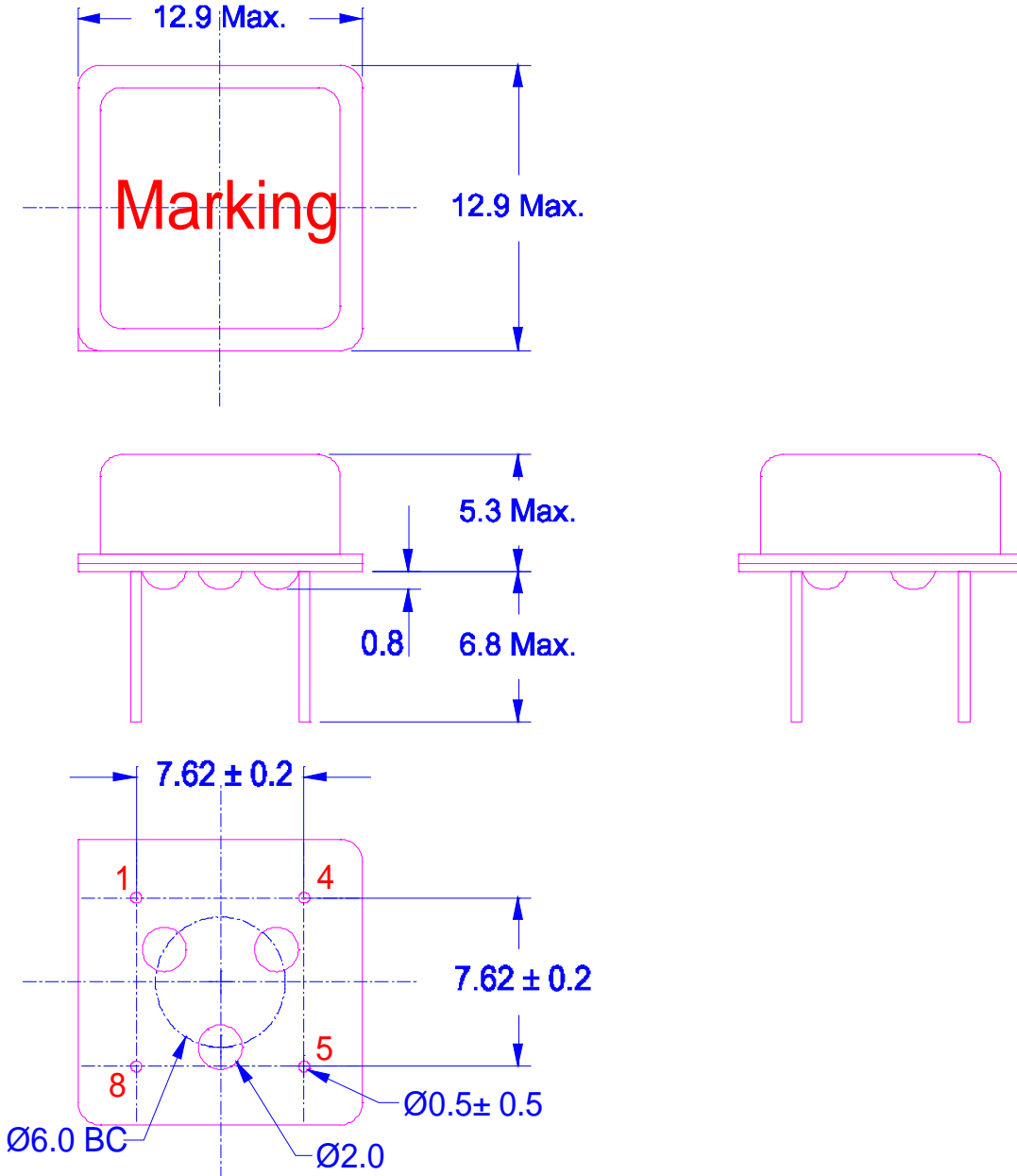
□ Vestergade 11a
DK-5540 Ullerslev
Fax +45 6535 1575



OSCILLATOR SPECIFICATION POS2185



Package Drawing



**PRECISION
DEVICES**
(UK) LIMITED

TEL: +44 (0)1223 834 444
FAX: +44 (0)1223 834 589
E-MAIL: sales@pdixtal.co.uk

ISO
ISO 9001
Reg. No. FM 01995

Pin Connections

- 1 Tri-State
- 4 Ground
- 5 Output
- 8 Supply Voltage

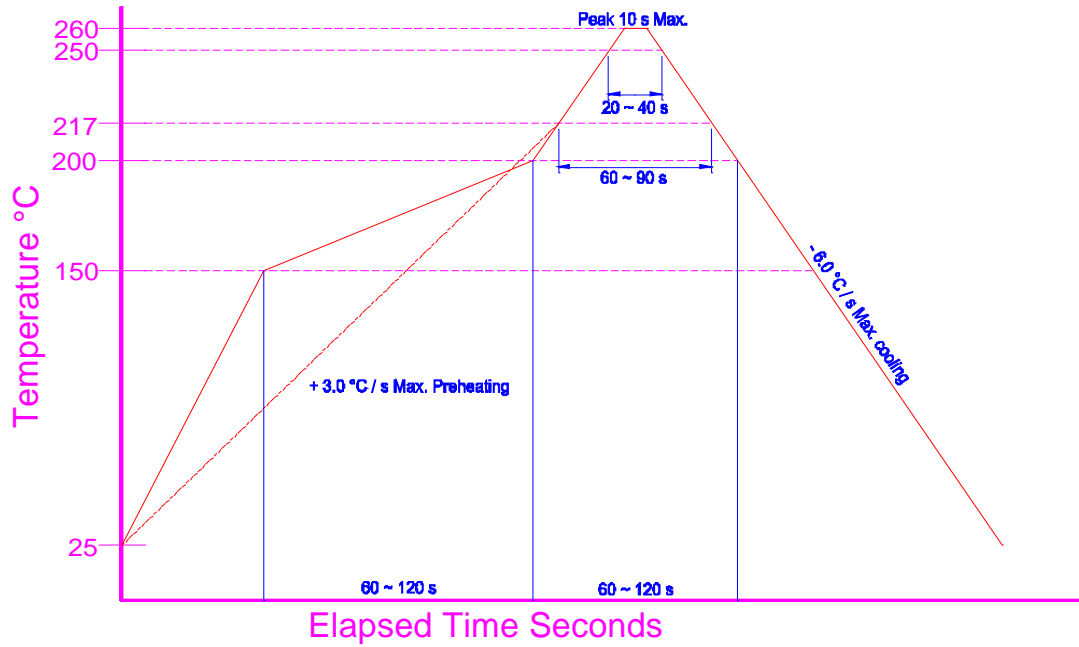
All Dimensions and Tolerances are in mm



OSCILLATOR SPECIFICATION POS2185



Reflow Solder Profile



PRECISION DEVICES (UK) LIMITED

TEL: +44 (0)1223 834 444
FAX: +44 (0)1223 834 589
E-MAIL: sales@pdixtal.co.uk

ISO
ISO 9001
Reg. No. FM 01995