

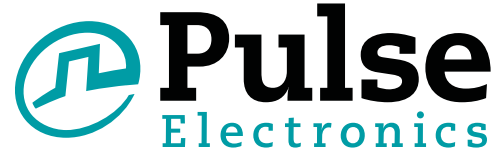


# Star Magnetics™

## 10/100BASE-T Transformer Modules

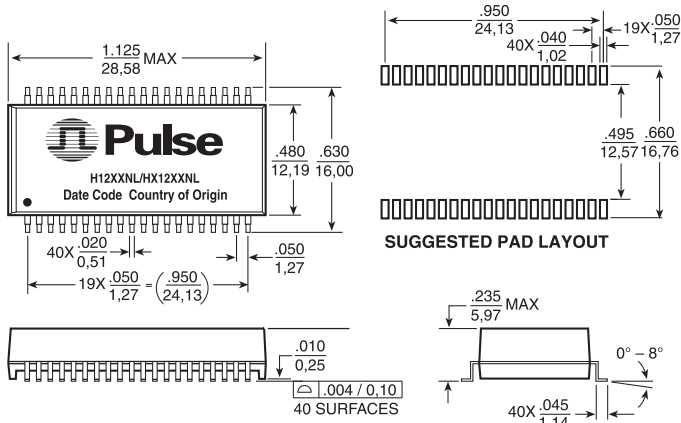
### with PoE\* Option and 1:1 Turns Ratios

\*Power over Ethernet



### Mechanicals (continued)

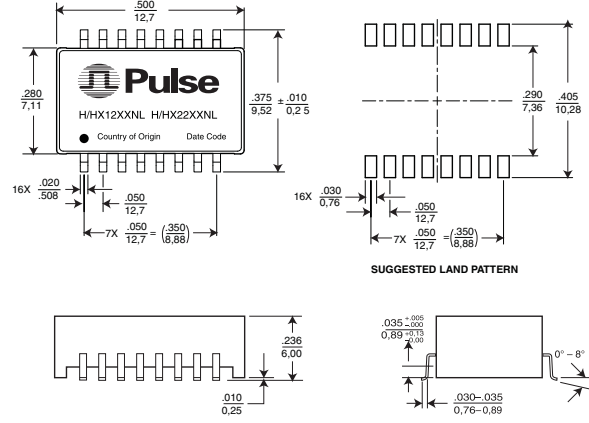
#### H1259NL, HX1259NL, H1266NL



Weight . . . . . 4.8 grams  
Tape & Reel . . . . . 250/reel  
Tube . . . . . 15/tube

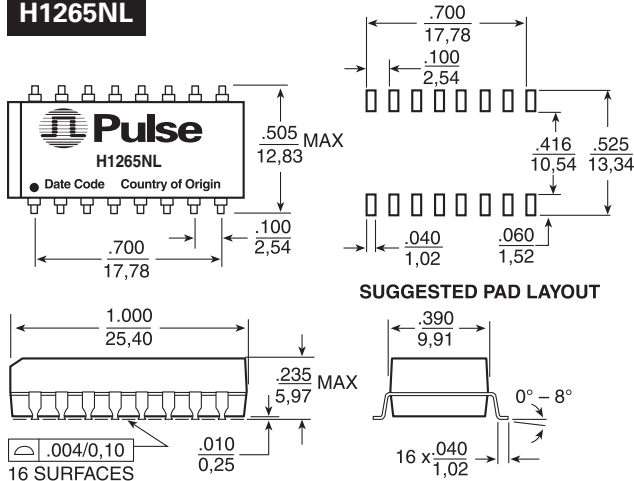
Dimensions:  $\frac{\text{Inches}}{\text{mm}}$  Unless otherwise specified, all tolerances are  $\pm \frac{.010}{0.25}$

#### H1260NL, HX1260NL, H2260NL, HX2260NL



Weight . . . . . 2.8 grams  
Tube . . . . . 45/tube  
Tape & Reel . . . . . 600/reel

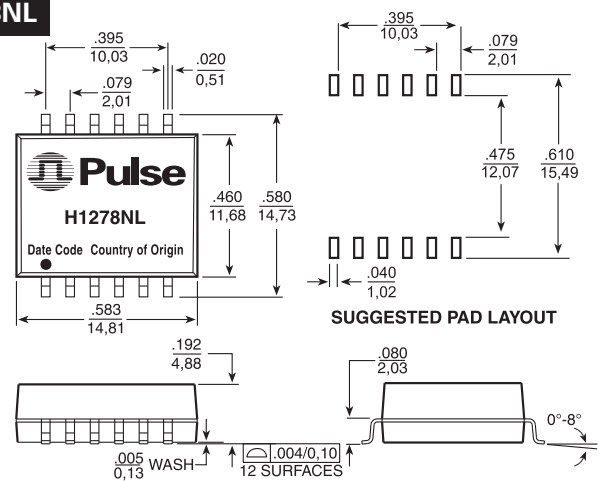
#### H1265NL



Weight . . . . . 3.0 grams  
Tube . . . . . 20/tube  
Tape & Reel . . . . . 300/reel

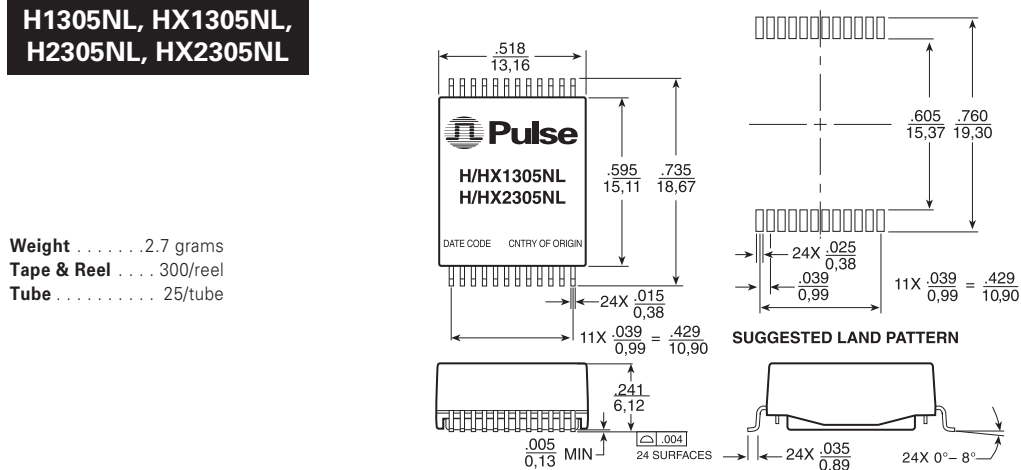
Dimensions:  $\frac{\text{Inches}}{\text{mm}}$  Unless otherwise specified, all tolerances are  $\pm \frac{.010}{0.25}$

#### H1278NL



Weight . . . . . 1.7 grams  
Tape & Reel . . . . . 350/reel  
Tube . . . . . 30/tube

#### H1305NL, HX1305NL, H2305NL, HX2305NL



Weight . . . . . 2.7 grams  
Tape & Reel . . . . . 300/reel  
Tube . . . . . 25/tube

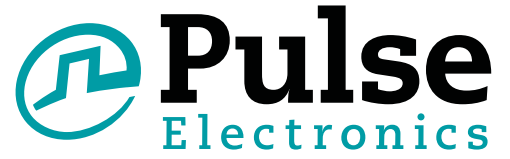
Dimensions:  $\frac{\text{Inches}}{\text{mm}}$  Unless otherwise specified, all tolerances are  $\pm \frac{.010}{0.25}$

# Star Magnetics™

## 10/100BASE-T Transformer Modules

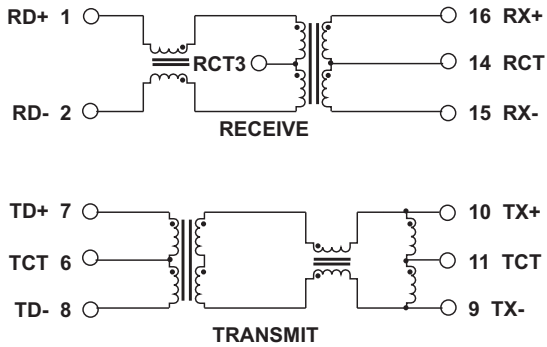
### with PoE\* Option and 1:1 Turns Ratios

\*Power over Ethernet

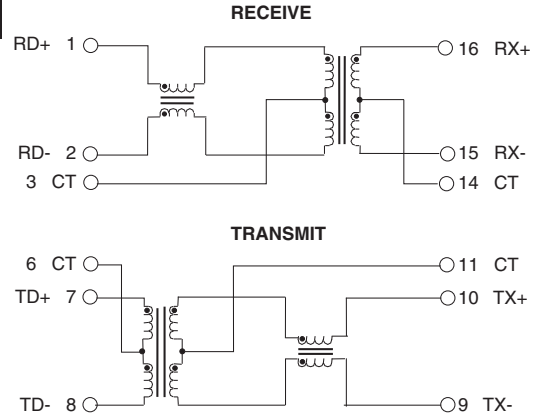


### Schematics

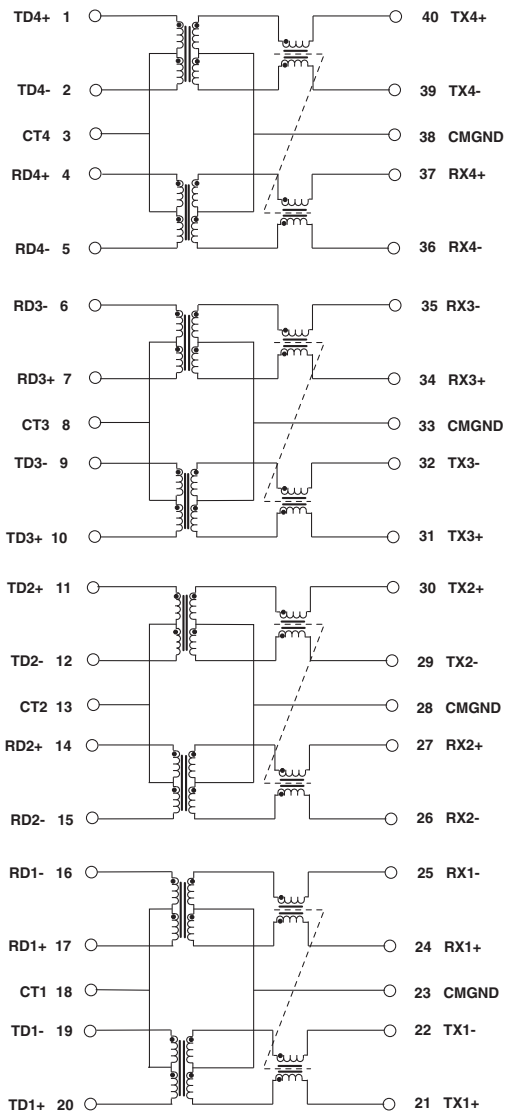
#### H0055NL



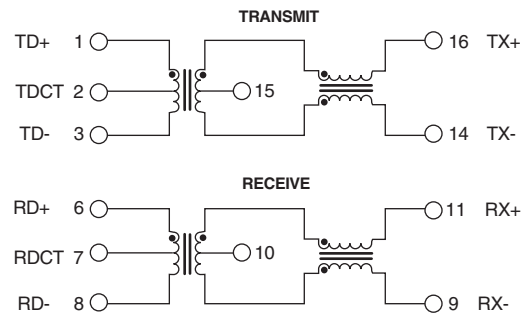
#### H0056NL



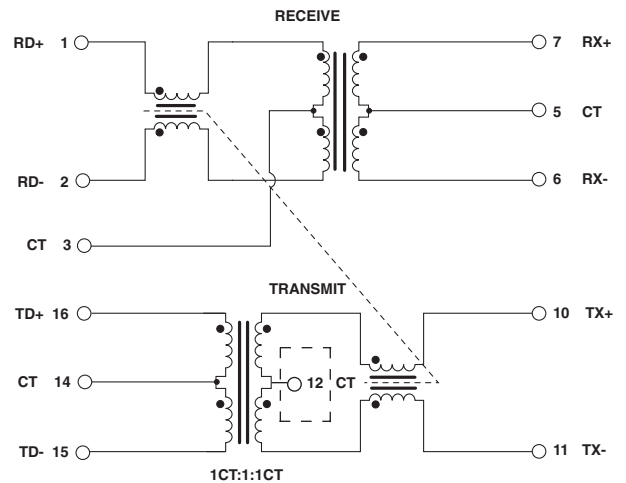
#### H1259NL, HX1259NL



#### H1260NL, HX1260NL



#### H1265NL



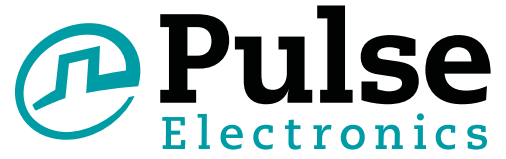
H1265: 3-core design (T3 same toroid core)

# Star Magnetics™

## 10/100BASE-T Transformer Modules

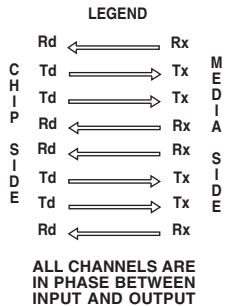
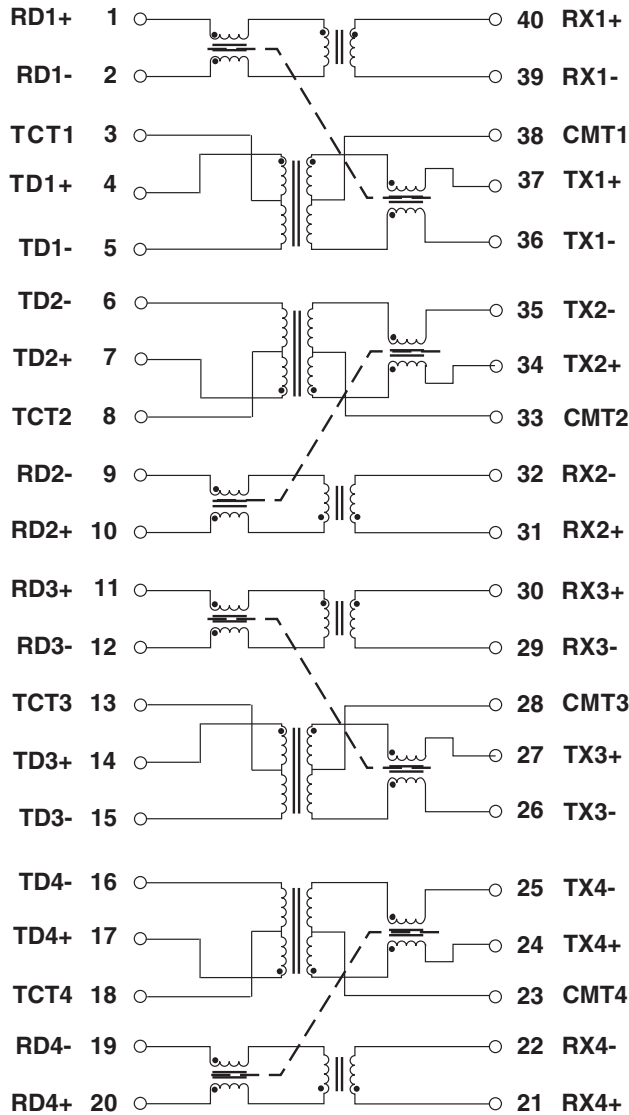
### with PoE\* Option and 1:1 Turns Ratios

\*Power over Ethernet

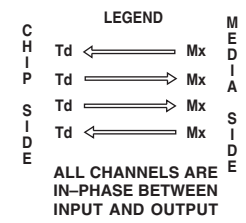
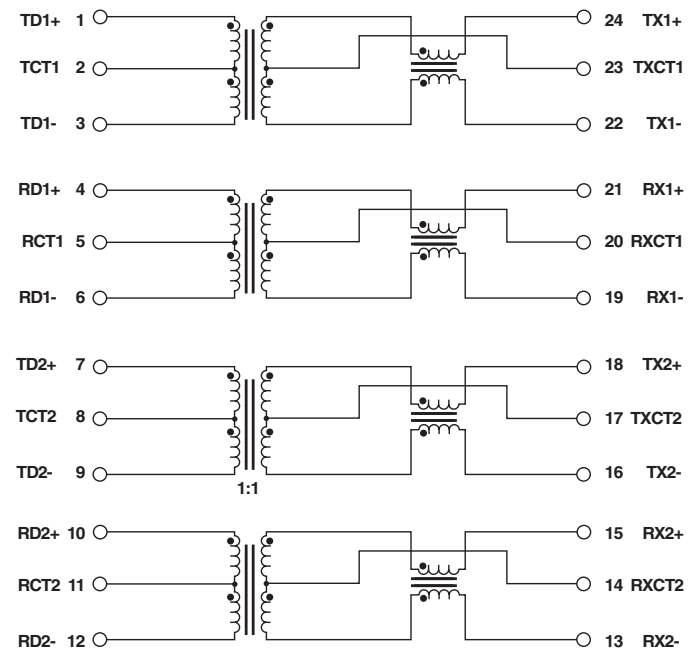


### Schematics (continued)

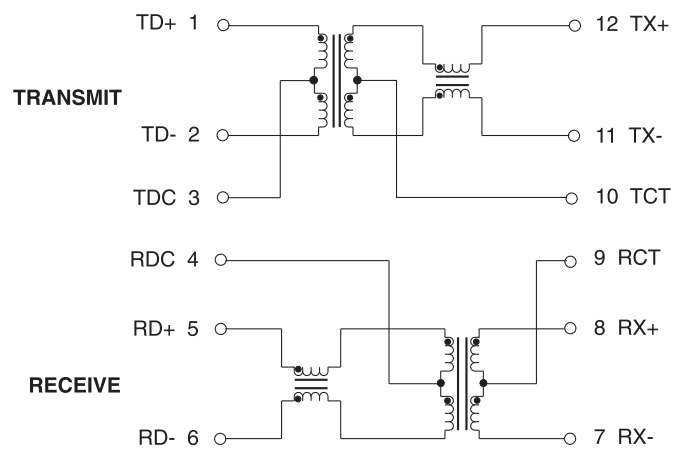
#### H1266NL



#### H1305NL, HX1305NL



#### H1278NL

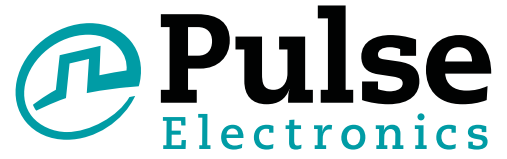


# Star Magnetics™

## 10/100BASE-T Transformer Modules

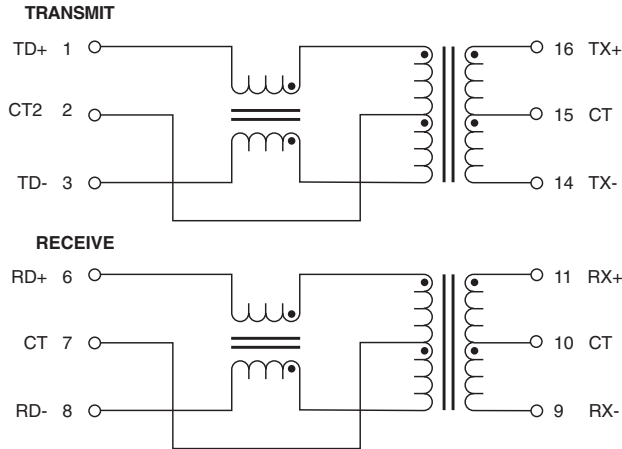
### with PoE\* Option and 1:1 Turns Ratios

\*Power over Ethernet

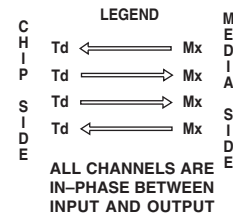
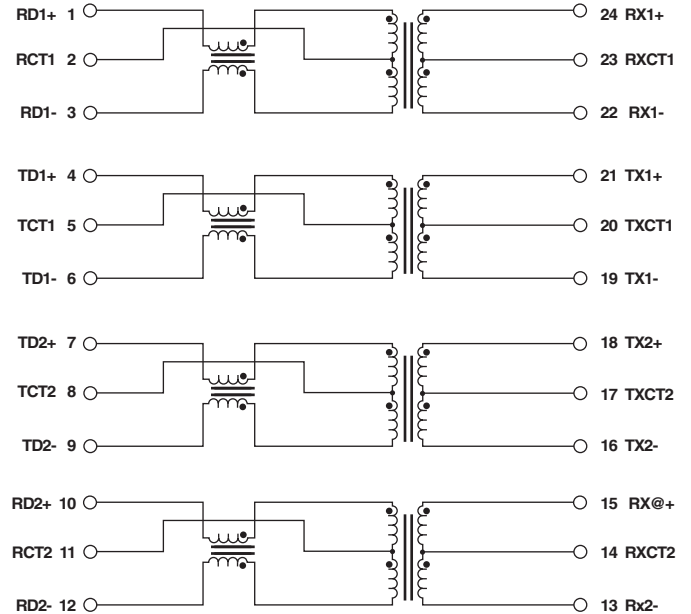


### Schematics (continued)

#### H2260NL, HX2260NL



#### H2305NL, HX2305NL



### For More Information:

#### Pulse North American Headquarters

12220 World Trade Dr.  
San Diego, CA 92128  
U.S.A.

TEL: 858 674 8100  
FAX: 858 674 8262

#### Pulse European Headquarters

Einsteinstrasse 1  
D-71083 Herrenberg  
Germany

TEL: 49 7032 7806 0  
FAX: 49 7032 7806 12

#### Pulse China Headquarters

B402, Shenzhen Academy of  
Aerospace Technology Bldg.  
10th Kejian Rd.  
High-Tech Zone  
Nanshan District  
Shenzhen, PR China 518057

TEL: 86 755 33966678  
FAX: 86 755 33966700

#### Pulse North China

Room 1503  
XinYin Building  
No. 888 YiShan Rd.  
Shanghai 200233  
China

TEL: 86 21 32181071  
FAX: 86 21 32181396

#### Pulse South Asia

150 Kampong Ampat  
#07-01/02  
KA Centre  
Singapore 368324

TEL: 65 6287 8998  
FAX: 65 6280 0080

#### Pulse North Asia

No. 26  
Kao Ching Rd.  
Yang Mei Chen  
Taoyuan Hsien  
Taiwan, R. O. C.  
32667

TEL: 886 3 4643715  
FAX: 886 3 4641911

Performance warranty of products offered on this data sheet is limited to the parameters specified. Data is subject to change without notice. Other brand and product names mentioned herein may be trademarks or registered trademarks of their respective owners. Pulse and the Squarewave logo are trademarks of Pulse Electronics Corporation, registered in the U.S. and other countries.

© Copyright, 2010. Pulse Electronics Corporation. All rights reserved.